

---

## About PGPx934P

The PGPx934P is a two-way, microprocessor-controlled, wireless digital PIR detector with integrated camera and microphone for alarm verification. Activated upon PIR detection or upon demand, the device sends clear images with optional audio to the monitoring station. It enables accurate status assessment of the premises.

After enrollment and configuration the PGPx934P captures burglary image clips which are sent to the monitoring station for burglary verification once the system is armed and upon occurrence of a burglary alarm.

The camera can also capture images upon occurrence of non-burglary alarms, such as fire, duress, emergency, and panic.

The device has the following features:

- Operating range up to 12 meters (40 ft).
- The advanced True Motion Recognition™ algorithm (patented) distinguishes between the true motion of an intruder and any other disturbances which may cause false alarms.
- Built-in link quality indicators.
- No vertical adjustment required.
- Temperature compensation.
- Front cover and back tamper, for improved tamper protection.
- White light protection.
- Target Specific Imaging™ (TSI) technology is used for distinction between humans and pets weighing up to 38 kg (85 lb).
- Battery reporting.
- Low battery indication.
- Dealer lock down.
- Out of band enrollment.
- Remote firmware upgrade.
- Optional power connection.
- Temperature sensing and reporting.

The camera has the following features:

- VGA image resolution for alarm images.
- HD resolution for on-demand images.
- 90° angle camera overlaps PIR field of view.
- 10 meter (33 ft) range in complete darkness overlaps PIR range.
- Optional audio with images for listen-in.
- Images multiplexed from all cameras.
- Color and back and white images.
- Auto-setup (brightness, contrast).
- Camera tuning by simple walk-test.
- Day and night CMOS camera, with IR illumination.
- Instant capture guarantees capture of fast moving intruder.



- Camera operation modes:
  - Post alarm – pictures are taken after detection by detector.
  - On demand – pictures are taken after a command from the monitoring station.
- An event records two images per second. 10 to 15 images in total per event.

**Note:**

- The camera and the listen-in feature are not to be enabled in UL listed product.
- The pet immunity feature was not evaluated by UL.
- The microphone is not to be enabled in a UL listed product.
- The pet immunity feature is not evaluated and certified by Applica Test & Certification AS.

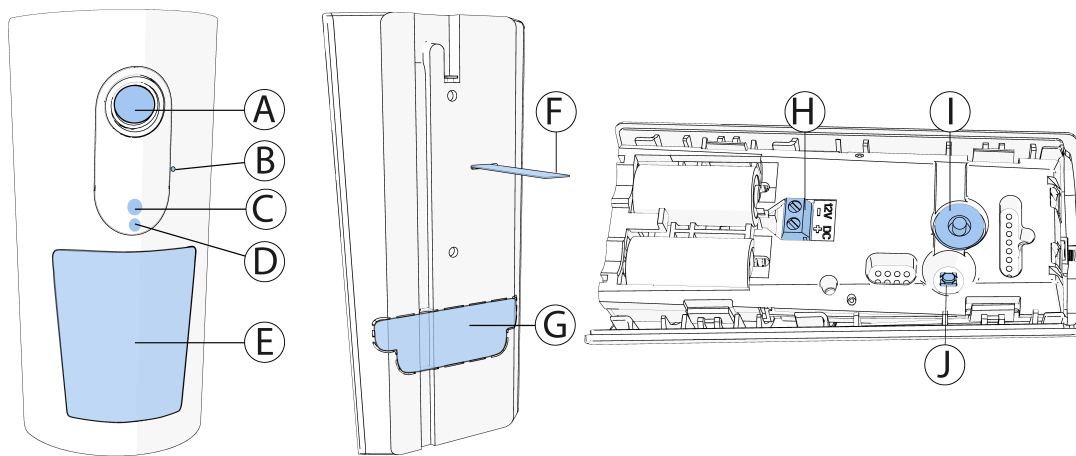
## Installation guidelines

The reference to PGPx934P throughout this manual includes the model PGP9934P and PGP8934P.

**CAUTION:** Only qualified personnel may install this equipment. Place this device in non-hazardous indoor locations only.

**Important:** Check the device and the entire alarm system weekly to ensure optimal performance.

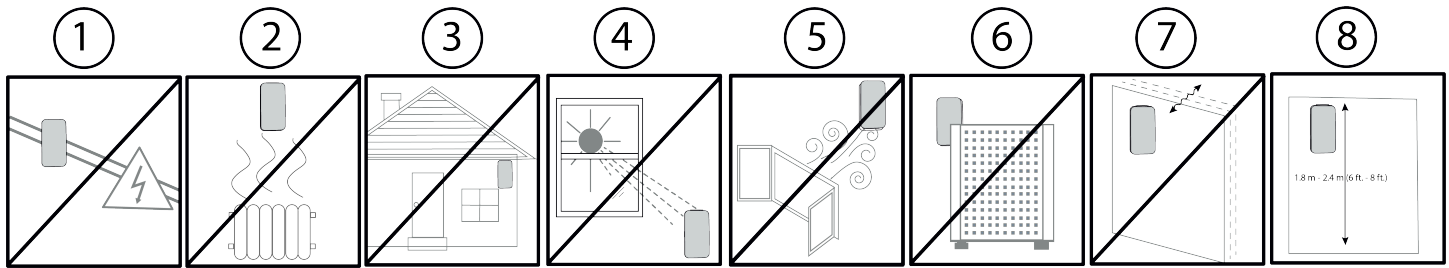
Figure 1: PGPx934P



Callout	Description
A	Camera lens
B	Microphone
C	LED
D	Light sensor
E	PIR lens
F	Battery pull-tab
G	Break-away segment
H	Terminal block
I	Tamper switch
J	Enroll button

For more information refer to section [About PGPx934P](#).

Figure 2: Optimizing detection and avoiding false alarms



1. Do not install near high-voltage electrical lines.
2. Keep away from heat sources.
3. Do not install outdoors.
4. Avoid direct sunlight.
5. Do not expose to air drafts.
6. Do not install behind partitions.
7. Do not mount on an unstable surface.
8. Install on a solid and stable surface at a height of 1.8 m to 2.4 m (6 ft to 8 ft), and at least 30 cm (12 in.) below the ceiling.

**⚠ WARNING:** Do not obscure partially or completely the detector's field of view.

## Enrolling the device

1. Refer to the control panel installation manual for the complete set of enrollment instructions and testing procedures.
  2. From the **Installation** menu, select **Devices > Security Sensors > Auto Learn Sensor** to add a new device.
  3. Remove the battery pull-tab to power on the device and begin the auto-enrollment process. If the battery pull-tab is not available or if the device does not automatically enroll, open the device cover to trigger the enrollment. Alternatively, press the enroll button until the orange LED light turns on. See [Figure 1](#).
  4. If requested, enter the PIN code printed on the device label.
  5. To manually enroll the device:
    - a. Scan the QR Code on the device box, using the IQ4 camera if available, or see step b.
    - b. Manually enter the device ID, printed on the product label, in the format ID:145-xxxx.
- i Note:** If the device has been powered up for more than 48 hours it will be identified by the system only after the device has been reset.
- The PGPx934P is enrolled with device ID 145-XXXX. In fall back mode it enrolls as PGx934 with device ID 140-XXXX.
6. Select the desired zone.
  7. Configure any device parameters that are required.
  8. Mount and test the device. See [Local diagnostics test](#) for information on testing the device.

## Configuring the device parameters

Enter the **DEVICE SETTINGS** menu and select the required configuration as described in the following table.

Option	Action
<b>General configuration options</b>	
Activation LED	Define whether the alarm LED indication is activated. Optional settings: <b>LED ON</b> (default) and <b>LED OFF</b> .
Detection Event counter	Define whether an alarm is activated upon continued motion (low sensitivity) or upon a single alarm event (high sensitivity). Optional settings: <b>One Event</b> and <b>Two Event (default)</b> .
High Traffic Shutdown	Define whether the device is active when the system is disarmed. Optional settings: <b>No Timeout</b> , <b>5 seconds</b> , <b>15 seconds</b> , <b>30 seconds</b> , <b>1 minute</b> , <b>2 minutes</b> , <b>5 minutes</b> , <b>10 minutes</b> , <b>20 minutes</b> and <b>60 minutes</b> , <b>Disabled During Disarm</b> .
AC monitoring	Determine whether the device is connected to AC power. When enabled, the device reports power failure and power restore events. Optional settings: <b>Disabled</b> (default) and <b>Enabled</b> .
AC LED behavior	Define whether the LED lights green when connected to AC power. Optional settings: <b>Always OFF</b> (default) and <b>Match AC</b> .
<b>Camera configuration options</b>	
Color	Determine whether the image is in black and white or color. Optional settings: <b>Black and White</b> and <b>Color</b> .
Resolution	Set the resolution of an image taken during an alarm. Optional settings: VGA: <b>640 x 480</b> , QVGA: <b>320 x 240</b> (default), QQVGA: <b>160 x 120</b>
On Demand Resolution	Set the resolution of an image taken for an on-demand image request. Optional settings: HD: <b>1280 x 720</b> , VGA: <b>640 x 480</b> , QVGA: <b>320 x 240</b> (default), QQVGA: <b>160 x 120</b>
Image quality	Set the quality of an image taken during an alarm. Low compression means less aggressive quantization. High compression means more aggressive quantization. High compression reduces the file size by approximately 30% with very little degradation in image quality. Optional settings: <b>Low Compression</b> (default), <b>High Compression</b> .
Brightness	Set the brightness of the image. 0 (default) is recommended for most conditions. Optional settings: <b>-3</b> (lowest), <b>-2</b> , <b>-1</b> , <b>0</b> (default), <b>+1</b> , <b>+2</b> , and <b>+3</b> (highest).
Contrast	Set the contrast of the image. 0 (default) is recommended for most conditions. Optional settings: <b>-3</b> (lowest), <b>-2</b> , <b>-1</b> , <b>0</b> (default), <b>+1</b> , <b>+2</b> , and <b>+3</b> (highest).

## Installing the pet mask

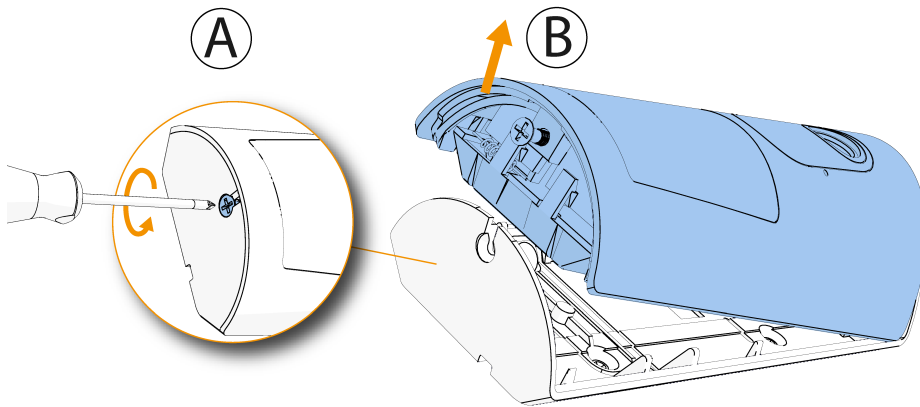
Install the pet mask if you require pet immunity. The optimal installation height for pet immunity is 2.1 m (7 ft), measured from the center of the device. Pet immunity is for pets weighing up to 38 kg (85 lb).

- ❗ **Note:** Pet mask not evaluated by UL/ULC
- ❗ **Note:** Pet immunity is not supported at heights of 2.4 m (8 ft) and above. Do not install the pet mask if you are mounting the device at this height or above.

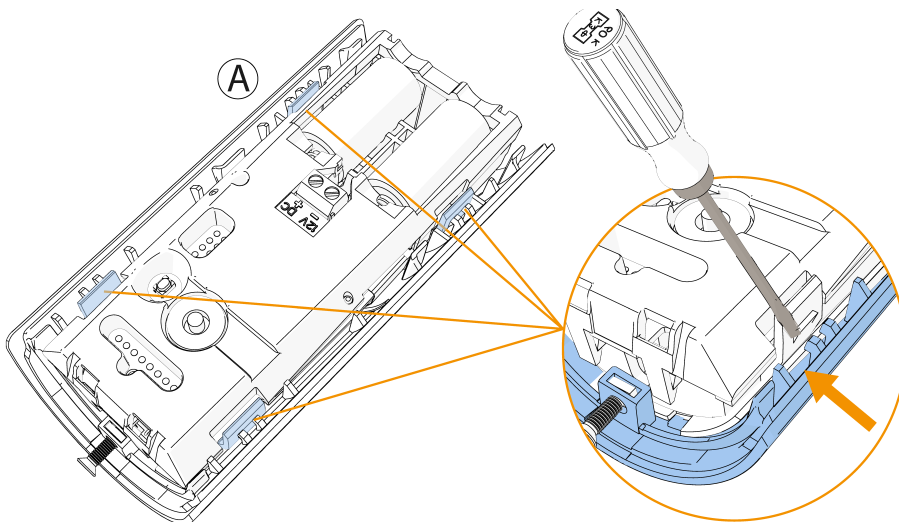
**Table 1: Required mounting height**

Distance to opposite wall	Mounting height
8 m (26 ft) or less	1.8 m to 2.1 m (6 ft to 7 ft)
8 m to 12 m (26 ft to 39 ft)	2.1 m (7 ft)

- To open the device cover, use a screwdriver to loosen the cover screw located on the underside of the device. See A in the following figure. Separate the base from the cover. See B in the following figure.

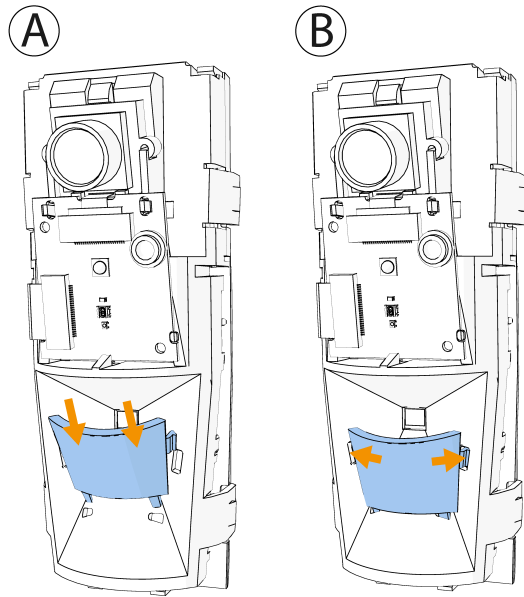
**Figure 3: Device cover removal**

- To extract the internal assembly, use a screwdriver to open the four clips. See A in the following figure.

**Figure 4: Extracting the internal assembly**

- Insert the tabs at the base of the pet mask into the bottom holes and align the tabs on the sides with the holes on both sides. See the following figure.

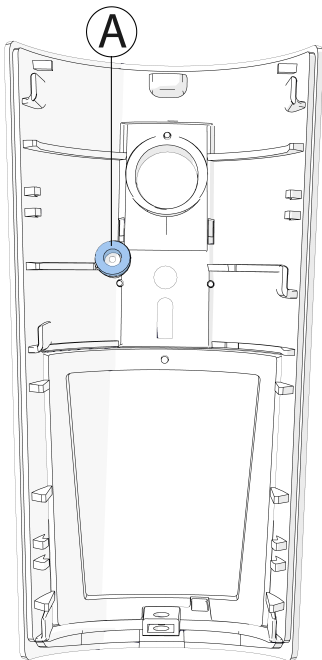
Figure 5: Inserting the pet mask



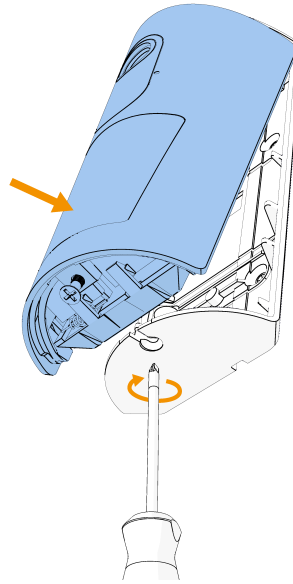
4. Press down gently to install the pet mask.
5. Reassemble the internal assembly.

ⓘ **Note:** Ensure that the microphone seal is in place. See the following image.

Figure 6: Microphone seal



6. To close the device cover, clip the cover onto the device base and tighten the cover screw. See the following figure.

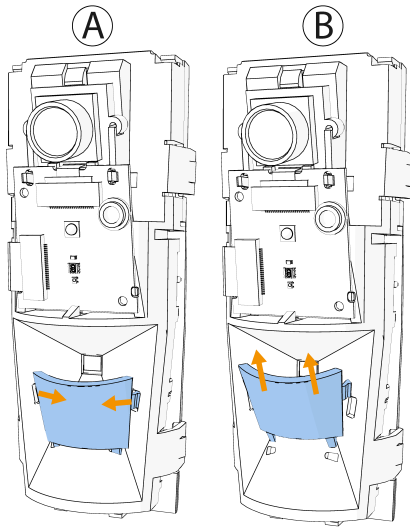
**Figure 7: Closing the device cover**

## Removing the pet mask

Remove the pet mask if you do not require pet immunity.

1. Open the device cover. See [Figure 3](#).
2. To extract the internal assembly, use a screwdriver to open the four clips. See [Figure 4](#).
3. Gently remove the pet mask. See the following figure.

**Figure 8: Removing the pet mask**



4. Reassemble the internal assembly.
  - ⓘ **Note:** Ensure that the microphone seal is in place.
5. Close the device cover. See [Figure 7](#).

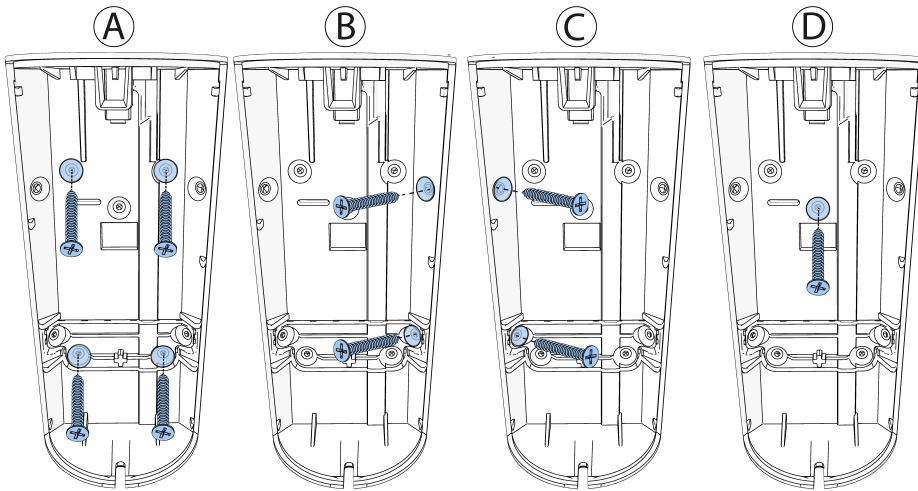
## Mounting the device using screws

► **Important:** For pet immunity installations, see [Installing the pet mask](#).

- ⓘ **Note:** Make sure to fasten the break-away segment to the wall. If the device is forcibly removed from the wall, this segment will break away from the base, causing the tamper switch to open.
1. To open the device cover, use a screwdriver to loosen the cover screw located on the underside of the device. See [Figure 3](#).
2. Identify the holes that match the mounting option, then drill out those holes. See the following figure for mounting options.



Figure 9: Mounting options



Callout	Description
A	Flat wall installation.
B	Right corner installation.
C	Left corner installation.
D	BR-1, BR-2, and BR-3 bracket installation. Use the screw from the BR-1, BR-2 and, BR-3 installation kit.

3. Press the base against the wall at the selected mounting position and mark the drilling points through the mounting holes.
4. Drill the required holes.
5. Screw the base to the wall.
6. Close the device cover. See [Figure 7](#).

## Optional: Mounting the device using a bracket

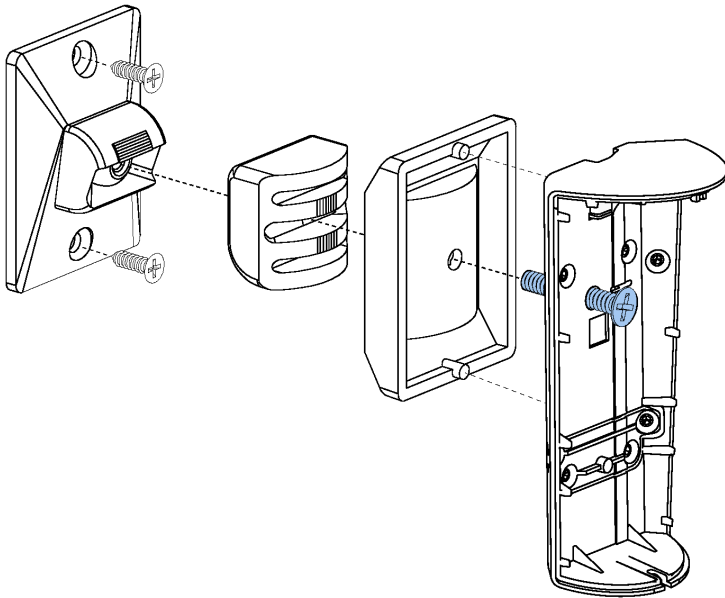
For more information see the BR-1, BR-2, and BR-3 manual (catalog number DE1781-).

► **Important:** When mounted using the BR-1, BR-2, or BR-3 bracket, back tamper protection is not available.

ⓘ **Note:** Mounting the device using a bracket does not comply with the EN standards.

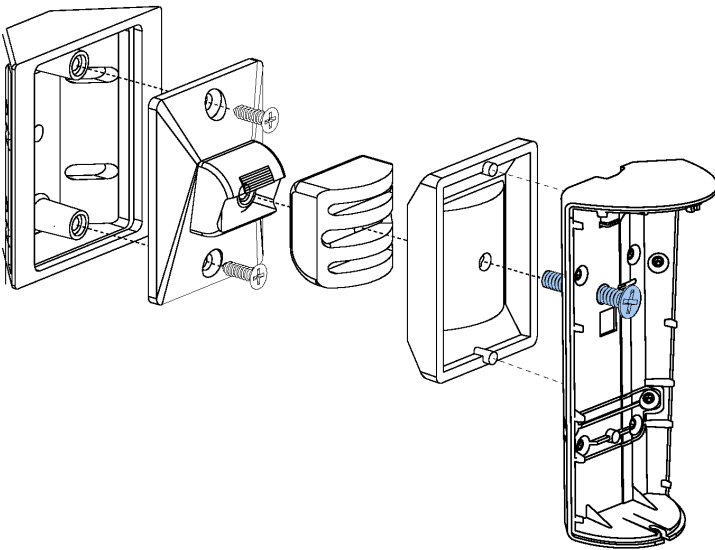
1. To mount the device on a flat wall with the option to change the angle of the device, use the BR-1 bracket. See the following figure for the assembly of the BR-1 bracket on the wall.

**Figure 10: Wall-mount bracket (BR-1) installation**



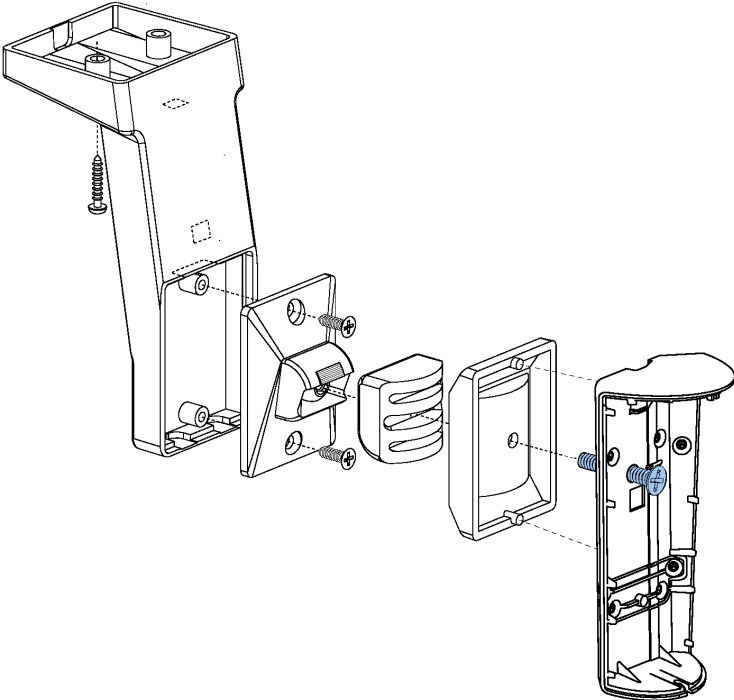
2. To mount the device in the corner with the option to change the angle of the device, use the BR-2 bracket. See the following figure for the assembly of the BR-2 bracket on the wall.

**Figure 11: Corner-mount bracket (BR-2) installation**



3. To mount the device on the ceiling with the option to change the angle of the device, use the BR-3 bracket. See the following figure for the assembly of the BR-3 bracket on the ceiling.

Figure 12: Ceiling-mount bracket (BR-3) installation



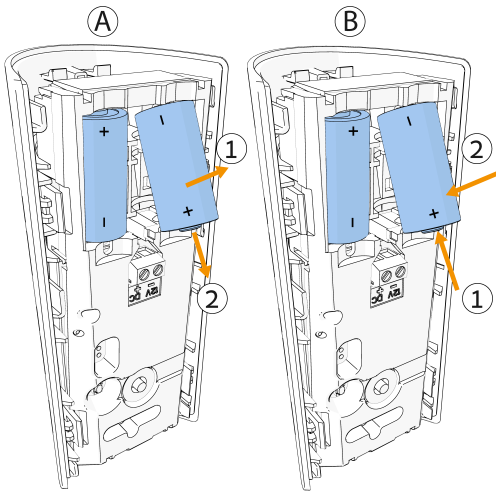
## Replacing the battery

**⚠ CAUTION:** Risk of explosion if battery is replaced by an incorrect type. Dispose of used batteries according to the manufacturer's instructions and according to local rules and regulations.

**ⓘ Note:** It is recommended to wait about 1 minute after battery removal before inserting the new battery.

1. Remove the device cover. See [Figure 3](#).
2. Remove the batteries. See A in the following figure.
3. Insert the new batteries while observing battery polarity. See B in the following figure.

**Figure 13: Battery removal and insertion**



4. Press down on both batteries until they fit into place.
5. Close the device cover and fasten the cover screw. See [Figure 7](#).

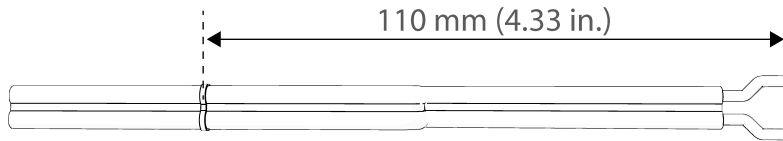
**ⓘ Note:** After restoring a low battery, the system may take up to 5 minutes to clear the trouble.

## Optional: wiring the power cable

- **Important:** Use only safety approved AC/DC power supply or another DC source which is certified to IEC/EN/UL 62368-1 with rated voltage of 12 VDC and rated current of 1 A.

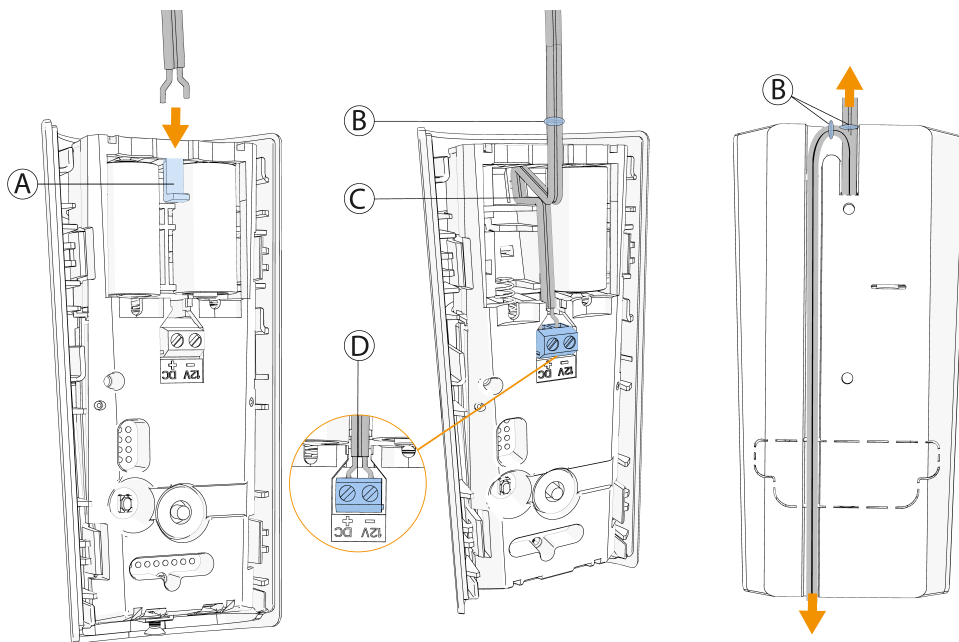
1. Mark the cable 110 mm (4.3 in.) from the end. See the following figure.

**Figure 14: Marking the cable**



2. Remove the device cover. See [Figure 3](#).
3. Break the plastic ledge between the two battery holders. See A in [Figure 15](#).

**Figure 15: Wiring with the cable**



4. Insert the cable to the device.
5. Attach the cable to the terminal block. See D in [Figure 15](#).
6. Adjust the cable to create a fold in the position shown in C in [Figure 15](#).
7. Pull the cable through so that the 110 mm (4.3 in.) mark is adjusted to the top of the device. See B in [Figure 15](#).
8. Mount the device.
9. Connect the power supply to the AC outlet.

## Local diagnostics test

After power-up or closing the cover, the device automatically enters Test Mode for 15 minutes. To manually enter the devices into Test Mode refer to the Control Panel Installer Guide.

1. Before you start the test, remove the device cover from the base. See [Figure 3](#).
2. Close the cover to return the tamper switch to its normal position.

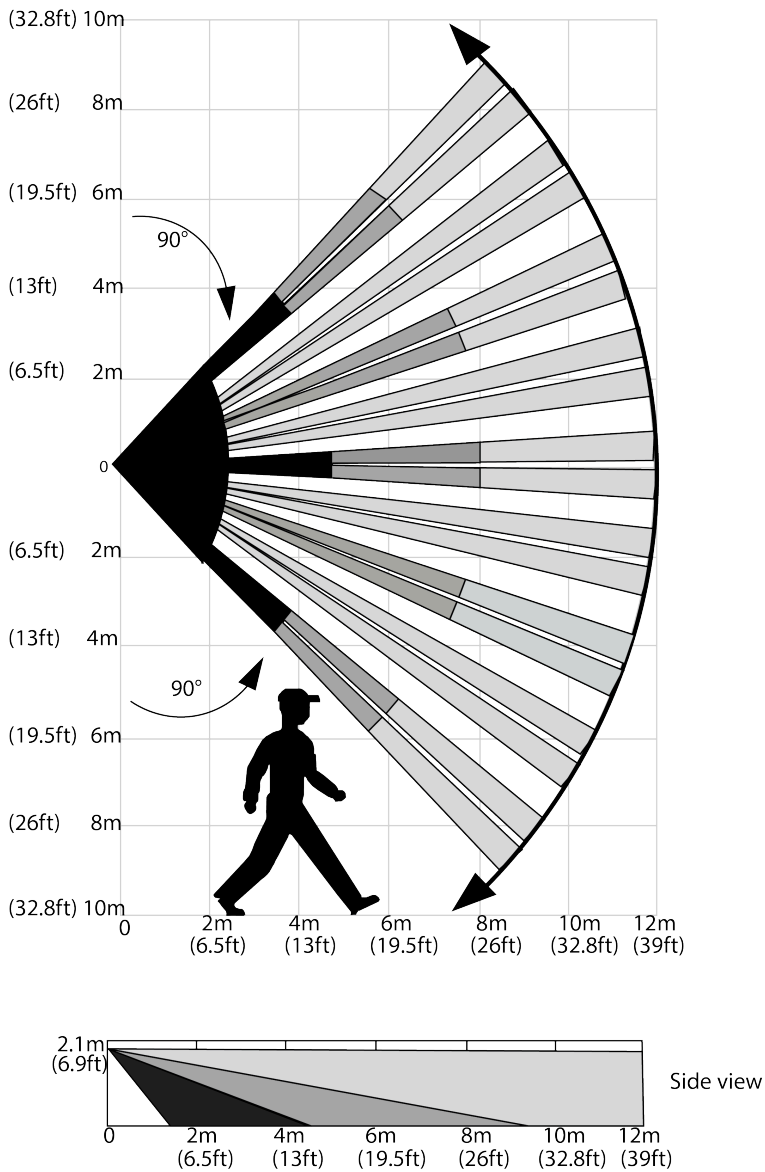
3. The device enters a two-minute stability period. During this time the red LED blinks.
4. Walk-test the coverage area. See [Figure 16](#). Walk across the far end of the coverage pattern in both directions. The red LED lights each time your motion is detected followed by 3 LED blinks. The following table indicates received signal strength indication.

**Table 2: Signal strength indication**

LED response	Reception
Green LED blinks	Strong
Orange LED blinks	Good
Red LED blinks	Poor
No blinks	No communication

- **Important:** Reliable reception must be assured. Therefore, poor signal strength is not acceptable. If you receive a poor signal from the device, relocate it and re-test until a strong signal strength is received.
- ⓘ **Note:** It is recommended to have a strong signal strength and you must verify the signal strength using the control panel's diagnostic test. For detailed Diagnostics Test instructions, refer to the control panel installer guide.

Figure 16: Coverage pattern walk test



Fresnel and cylinder type lens with optical attenuation (pet mask) in the lower pattern part of the lens. Number of beams / curtains: 18 Fresnel far, 10 Cylinder mid, 6 Cylinder close.

► **Important:** Instruct the user to walk test at least once a week to verify proper function of the device. After installation verify the product functionality with the compatible receivers models as indicated in this manual.

# Specifications

Frequency band	868 to 869 MHz, 912 to 919 MHz
Maximum Tx Power	+14 dBm @ 868 MHz
Modulation	GFSK
Communication Protocol	PowerG
Battery Type	6 V Lithium battery Duracell and GP only (two CR123A 3 V batteries)
Battery Life	5 years with typical use at room temperature 25°C (77°F) <i>ⓘ</i> <b>Note:</b> Not evaluated by UL/ULC.
Low Battery Threshold	4.5 V at room temperature 25°C (77°F)
Nominal Operating Voltage	6 V
Current Consumption	Standby: 20 uA Maximum: 500 mA
Operating Temperature	-10°C (14°F) to 50°C (122°F) UL verified range: 0°C (32°F) to 49°C (120°F) only
Storage Temperature	-20°C (-4°F) to 60°C (140°F)
Relative Humidity	Up to 95% non-condensing For UL installations: 5 % to 93 % with no condensation.
Dimensions (LxWxD)	125 mm x 63 mm x 60 mm (4.9 in. x 2.5 in. x 2.4 in.)
Weight (including battery)	200 g (7 oz)
True Motion Event Verification	2 remote selections: 1 (OFF) or 2 (ON) motion events
IR Illumination	10 m (33 ft) <i>ⓘ</i> <b>Note:</b> Not evaluated by UL/ULC.
Frame Rate	Fixed at 2 fps
Max. coverage	12 m (39 ft) / 90°
Pet immunity	Up to 38 kg (85 lb) <i>ⓘ</i> <b>Note:</b> Not evaluated by UL/ULC.
Color	White
Power supply	12 VDC ±10% / 1 A (*)
UL/ULC Installation	Mounting the device at a height lower than 2.4 m (8 ft) may reduce the maximum range of the detector. The dead zone in UL/ULC installation is up to 2.4 m (8 ft).

(\*) For UL installation, the unit must be powered via a UL/ULC listed burglar alarm with a minimum of four hours standby.



# Compliance with standards

PGPx934P complies with the following standards:

<b>PGP9934P</b>	<b>FCC (912 to 919 MHz):</b> 47CFR part 15.427 <b>ISED (912 to 919 MHz):</b> RSS-247 <b>UL/ULC:</b> UL 639, ULC s-306
<b>PGP8934P</b>	EN 300220, EN 301489, EN 50130-4, EN 50130-5, EN 61000-6-3, EN 62368-1, EN 50131-1, EN 50131-5-3, EN 50131-2-2 Grade2, Class II and EN 50131-6 Type C or Type B <b>UK:</b> is suitable for use in systems installed to conform to PD6662 at Grade 2 and environmental class II, DD243 and BS8243

PGP8934P is certified by Applica Test & Certification AS in accordance with EN 50131-2-2, EN 50131-5-3, EN 50131-6, EN 50130-4, EN 50130-5. Security Grade 2 and Environmental Class II.

## Simplified EU declaration of conformity

Hereby, Tyco Safety Products Canada Ltd. Declares that the radio equipment type PGP8934P is in compliance with Directive 2014/53/EU. The full text of the EU declaration of conformity is available at the following internet address: <http://dsc.com/pdf/2208005>

## FCC and ISED Canada Compliance Statement

This device complies with FCC Rules Part 15 and with ISED Canada license-exempt RSS standard(s).

Operation is subject to two conditions:

(1) This device may not cause harmful interference, and (2) this device must accept any interference that may be received or that may cause undesired operation.

*Le présent appareil est conforme aux CNR d'ISED Canada applicables aux appareils radio exempts de licence. L'exploitation est autorisée aux deux conditions suivantes:*

*(1) l'appareil ne doit pas produire de brouillage, et (2) l'utilisateur de l'appareil doit accepter tout brouillage radioélectrique subi, même si le brouillage est susceptible d'en compromettre le fonctionnement.*

To comply with FCC Section 1.1310 for human exposure to radio frequency electromagnetic fields and ISED Canada requirements, implement the following instruction:

A distance of at least 20cm. between the equipment and all persons should be maintained during the operation of the equipment.

*Le dispositif doit être placé à une distance d'au moins 20 cm à partir de toutes les personnes au cours de son fonctionnement normal. Les antennes utilisées pour ce produit ne doivent pas être situés ou exploités conjointement avec une autre antenne ou transmetteur.*

① **Note:** This equipment has been tested and found to comply with the limits for a Class B digital device, pursuant to part 15 of the FCC Rules. These limits are designed to provide reasonable protection against harmful interference in a residential installation. This equipment generates, uses and can radiate radio frequency energy and, if not installed and used in accordance with the instructions, may cause harmful interference to radio communications. However, there is no guarantee that interference will not occur in a particular installation. If this equipment does cause harmful interference to radio or television reception, which can be determined by turning the equipment off and on, the user is encouraged to try to correct the interference by one or more of the following measures:

- Reorient or relocate the receiving antenna.
- Increase the separation between the equipment and receiver.
- Connect the equipment into an outlet on a circuit different from that to which the receiver is connected.
- Consult the dealer or an experienced radio/TV technician for help.

This Class B digital apparatus complies with Canadian ICES-003.

Cet appareil numérique de la classe B est conforme a la norme NMB-003 du Canada.

**▲ WARNING:** Changes or modifications to this equipment not expressly approved by the party responsible for compliance (DSC.) could void the user’s authority to operate the equipment.



**UL/ULC notes**

Only model PGP9934P operating in the frequency band 912-919MHz is UL/cUL listed. The PGP9934P has been listed by UL/cUL for commercial and residential burglary applications in accordance with the requirements in the Standards UL639 and ULC-S306. For UL/ cUL installations use these device only in conjunction with compatible Tyco/DSC wireless receivers: HSM2HOST9, HS2LCDRF(P)9, HS2ICNRF(P) 9, HS2LCDRFPRO9, PGHPHOST9, PG9920, PGP9920 and Qolsys IQPanel2, IQHub, IQPanel4, IQ4 Hub, IQ4 NS and Tyco IQ Pro, and IQ Pro P Alarm Systems. After installation verify the product functionality in conjunction with the compatible receiver used.

**Safety Instructions**

Read the safety information before you install the equipment.

The detector shall be installed and used within an environment that provides the pollution degree max 2 and over voltages category II in non-hazardous locations, indoor only. The equipment is designed to be installed by SERVICE PERSONS only; (SERVICE PERSON is defined as a person having the appropriate technical training and experience necessary to be aware of hazards to which that person may be exposed in performing a task and of measures to minimize the risks to that person or other persons). The detector is to be installed in an indoor dry location. Exposure to weather or corrosive conditions may damage the unit.

**▲ CAUTION:** Use the type of power source indicated in the user manual. Use of a different power source may result in fire or electric shock. Place the detector near a wall outlet where the plug can be easily unplugged.

**WEEE Product recycling declaration**

The image shows the WEEE recycling symbol, which is a wheeled bin with a diagonal cross through it, indicating that the product should not be disposed of as general waste.	<p>For information regarding the recycling of this product you must contact the company from which you originally purchased it. If you are discarding this product and not returning it for repair then you must ensure that it is returned as identified by your supplier. This product is not to be thrown away with everyday waste. Directive 2012/19/EU Waste Electrical and Electronic Equipment.</p>
---	--

## Limited Warranty

Digital Security Controls warrants that for a period of 12 months from the date of purchase, the product shall be free of defects in materials and workmanship under normal use and that in fulfillment of any breach of such warranty, Digital Security Controls shall, at its option, repair or replace the defective equipment upon return of the equipment to its repair depot. This warranty applies only to defects in parts and workmanship and not to damage incurred in shipping or handling, or damage due to causes beyond the control of Digital Security Controls such as lightning, excessive voltage, mechanical shock, water damage, or damage arising out of abuse, alteration or improper application of the equipment.

The foregoing warranty shall apply only to the original buyer, and is and shall be in lieu of any and all other warranties, whether expressed or implied and of all other obligations or liabilities on the part of Digital Security Controls. Digital Security Controls neither assumes responsibility for, nor authorizes any other person purporting to act on its behalf to modify or to change this warranty, nor to assume for it any other warranty or liability concerning this product.

In no event shall Digital Security Controls be liable for any direct, indirect or consequential damages, loss of anticipated profits, loss of time or any other losses incurred by the buyer in connection with the purchase, installation or operation or failure of this product.

**Warning:** *Digital Security Controls recommends that the entire system be completely tested on a regular basis. However, despite frequent testing, and due to, but not limited to, criminal tampering or electrical disruption, it is possible for this product to fail to perform as expected.*

**Important Information:** *Changes or modifications not expressly approved by Digital Security Controls could void the user's authority to operate this equipment.*

# EULA

**IMPORTANT READ CAREFULLY:** DSC Software purchased with or without Products and Components is copyrighted and is purchased under the following license terms:

This End User License Agreement ("EULA") is a legal agreement between You (the company, individual or entity who acquired the Software and any related Hardware) and Digital Security Controls, a division of Tyco Safety Products Canada Ltd. ("DSC"), the manufacturer of the integrated security systems and the developer of the software and any related products or components ("HARDWARE") which You acquired.

If the DSC software product ("SOFTWARE PRODUCT" or "SOFTWARE") is intended to be accompanied by HARDWARE, and is NOT accompanied by new HARDWARE, You may not use, copy or install the SOFTWARE PRODUCT. The SOFTWARE PRODUCT includes computer software, and may include associated media, printed materials, and "online" or electronic documentation.

Any software provided along with the SOFTWARE PRODUCT that is associated with a separate end user license agreement is licensed to You under the terms of that license agreement.

By installing, copying, downloading, storing, accessing or otherwise using the SOFTWARE PRODUCT, You agree unconditionally to be bound by the terms of this EULA, even if this EULA is deemed to be a modification of any previous arrangement or contract. If You do not agree to the terms of this EULA, DSC is unwilling to license the SOFTWARE PRODUCT to You, and You have no right to use it.

## SOFTWARE PRODUCT LICENSE

The SOFTWARE PRODUCT is protected by copyright laws and international copyright treaties, as well as other intellectual property laws and treaties. The SOFTWARE PRODUCT is licensed, not sold.

1. GRANT OF LICENSE. This EULA grants You the following rights:

(a) Software Installation and Use - For each license You acquire, You may have only one copy of the SOFTWARE PRODUCT installed.

(b) Storage/Network Use - The SOFTWARE PRODUCT may not be installed, accessed, displayed, run, shared or used concurrently on or from different computers, including a workstation, terminal or other digital electronic device ("Device"). In other words, if You have several workstations, You will have to acquire a license for each workstation where the SOFTWARE will be used.

(c) Backup Copy - You may make back up copies of the SOFTWARE PRODUCT, but You may only have one copy per license installed at any given time. You may use the back up copy solely for archival purposes. Except as expressly provided in this EULA, You may not otherwise make copies of the SOFTWARE PRODUCT, including the printed materials accompanying the SOFTWARE.

2. DESCRIPTION OF OTHER RIGHTS AND LIMITATIONS

(a) Limitations on Reverse Engineering, Decompilation and Disassembly - You may not reverse engineer, decompile, or disassemble the SOFTWARE PRODUCT, except and only to the extent that such activity is expressly permitted by applicable law notwithstanding this limitation. You may not make any changes or modifications to the Software, without the written permission of an officer of DSC. You may not remove any proprietary notices, marks or labels from the Software Product. You shall institute reasonable measures to ensure compliance with the terms and conditions of this EULA.

(b) Separation of Components - The SOFTWARE PRODUCT is licensed as a single product. Its component parts may not be separated for use on more than one HARDWARE unit.

(c) Single INTEGRATED PRODUCT - If You acquired this SOFTWARE with HARDWARE, then the SOFTWARE PRODUCT is licensed with the HARDWARE as a single integrated product. In this case, the SOFTWARE PRODUCT may only be used with the HARDWARE as set forth in this EULA.

(d) Rental - You may not rent, lease or lend the SOFTWARE PRODUCT. You may not make it available to others or post it on a server or web site.

(e) Software Product Transfer - You may transfer all of Your rights under this EULA only as part of a permanent sale or transfer of the HARDWARE, provided You retain no copies, You transfer all of the SOFTWARE PRODUCT (including all component parts, the media and printed materials, any upgrades and this EULA), and provided the recipient agrees to the terms of this EULA. If the SOFTWARE PRODUCT is an upgrade, any transfer must also include all prior versions of the SOFTWARE PRODUCT.

(f) Termination - Without prejudice to any other rights, DSC may terminate this EULA if You fail to comply with the terms and conditions of this EULA. In such event, You must destroy all copies of the SOFTWARE PRODUCT and all of its component parts.

(g) Trademarks - This EULA does not grant You any rights in connection with any trademarks or service marks of DSC or its suppliers.

### 3. COPYRIGHT

All title and intellectual property rights in and to the SOFTWARE PRODUCT (including but not limited to any images, photographs, and text incorporated into the SOFTWARE PRODUCT), the accompanying printed materials, and any copies of the SOFTWARE PRODUCT, are owned by DSC or its suppliers. You may not copy the printed materials accompanying the SOFTWARE PRODUCT. All title and intellectual property rights in and to the content which may be accessed through use of the SOFTWARE PRODUCT are the property of the respective content owner and may be protected by applicable copyright or other intellectual property laws and treaties. This EULA grants You no rights to use such content. All rights not expressly granted under this EULA are reserved by DSC and its suppliers.

### 4. EXPORT RESTRICTIONS

You agree that You will not export or re export the SOFTWARE PRODUCT to any country, person, or entity subject to Canadian export restrictions.

5. CHOICE OF LAW: This Software License Agreement is governed by the laws of the Province of Ontario, Canada.

### 6. ARBITRATION

All disputes arising in connection with this Agreement shall be determined by final and binding arbitration in accordance with the Arbitration Act, and the parties agree to be bound by the arbitrator's decision. The place of arbitration shall be Toronto, Canada, and the language of the arbitration shall be English.

### 7. LIMITED WARRANTY

#### (a) NO WARRANTY

DSC PROVIDES THE SOFTWARE "AS IS" WITHOUT WARRANTY. DSC DOES NOT WARRANT THAT THE SOFTWARE WILL MEET YOUR REQUIREMENTS OR THAT OPERATION OF THE SOFTWARE WILL BE UNINTERRUPTED OR ERROR-FREE.

#### (b) CHANGES IN OPERATING ENVIRONMENT

DSC shall not be responsible for problems caused by changes in the operating characteristics of the HARDWARE, or for problems in the interaction of the SOFTWARE PRODUCT with non-DSC-SOFTWARE or HARDWARE PRODUCTS.

#### (c) LIMITATION OF LIABILITY; WARRANTY REFLECTS ALLOCATION OF RISK

IN ANY EVENT, IF ANY STATUTE IMPLIES WARRANTIES OR CONDITIONS NOT STATED IN THIS LICENSE AGREEMENT, DSC'S ENTIRE LIABILITY UNDER ANY PROVISION OF THIS LICENSE AGREEMENT SHALL BE LIMITED TO THE GREATER OF THE AMOUNT ACTUALLY PAID BY YOU TO LICENSE THE SOFTWARE PRODUCT AND FIVE CANADIAN DOLLARS (CAD\$5.00). BECAUSE SOME JURISDICTIONS DO NOT ALLOW THE EXCLUSION OR LIMITATION OF LIABILITY FOR CONSEQUENTIAL OR INCIDENTAL DAMAGES, THE ABOVE LIMITATION MAY NOT APPLY TO YOU.

#### (d) DISCLAIMER OF WARRANTIES

THIS WARRANTY CONTAINS THE ENTIRE WARRANTY AND SHALL BE IN LIEU OF ANY AND ALL OTHER WARRANTIES, WHETHER EXPRESSED OR IMPLIED (INCLUDING ALL IMPLIED WARRANTIES OF MERCHANTABILITY OR FITNESS FOR A PARTICULAR PURPOSE) AND OF ALL OTHER OBLIGATIONS OR LIABILITIES ON THE PART OF DSC. DSC MAKES NO OTHER WARRANTIES. DSC NEITHER ASSUMES NOR AUTHORIZES ANY OTHER PERSON PURPORTING TO ACT ON ITS BEHALF TO MODIFY OR TO CHANGE THIS WARRANTY, NOR TO ASSUME FOR IT ANY OTHER WARRANTY OR LIABILITY CONCERNING THIS SOFTWARE PRODUCT.

---

(e) EXCLUSIVE REMEDY AND LIMITATION OF WARRANTY

UNDER NO CIRCUMSTANCES SHALL DSC BE LIABLE FOR ANY SPECIAL, INCIDENTAL, CONSEQUENTIAL OR INDIRECT DAMAGES BASED UPON BREACH OF WARRANTY, BREACH OF CONTRACT, NEGLIGENCE, STRICT LIABILITY, OR ANY OTHER LEGAL THEORY. SUCH DAMAGES INCLUDE, BUT ARE NOT LIMITED TO, LOSS OF PROFITS, LOSS OF THE SOFTWARE PRODUCT OR ANY ASSOCIATED EQUIPMENT, COST OF CAPITAL, COST OF SUBSTITUTE OR REPLACEMENT EQUIPMENT, FACILITIES OR SERVICES, DOWN TIME, PURCHASERS TIME, THE CLAIMS OF THIRD PARTIES, INCLUDING CUSTOMERS, AND INJURY TO PROPERTY.

WARNING: DSC recommends that the entire system be completely tested on a regular basis. However, despite frequent testing, and due to, but not limited to, criminal tampering or electrical disruption, it is possible for this SOFTWARE PRODUCT to fail to perform as expected.

Website: [www.dsc.com](http://www.dsc.com)

Tech. support: 1-800- 387-3630