

DW[®] Universal HD over Coax[®]
micro dome cameras

DWC-MC253WTIR	DWC-MC253W-28
---------------	---------------



WHAT'S IN THE BOX

Black and white decorative rings		1	Hex Allen wrench		1
Test video cable		1	Mounting template		1
Screws and plastic anchors-4pcs		1 Set	Quick set up guide		1
External OSD and signal controller		1			

NOTE: Download all your support materials and tools in one place.

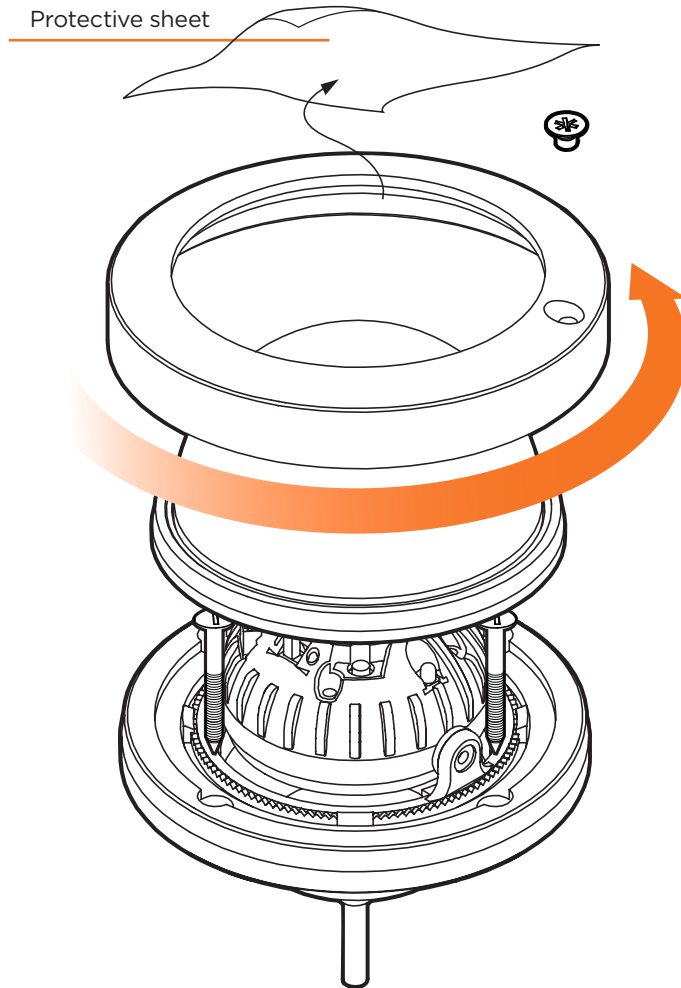
1. Go to: <http://www.digital-watchdog.com/resources>
2. Search your product by entering the part number in the 'Search by Product' search bar. Results for applicable part numbers will populate automatically based on the part number you enter.
3. Click 'Search'. All supported materials, including manuals and quick start guide (QSGs) will appear in the results.



Attention: This document is intended to serve as a quick reference for initial set up. It is recommended that the user read the entire instruction manual for complete and proper installation and usage.

STEP 1 - PREPARING TO MOUNT THE CAMERA

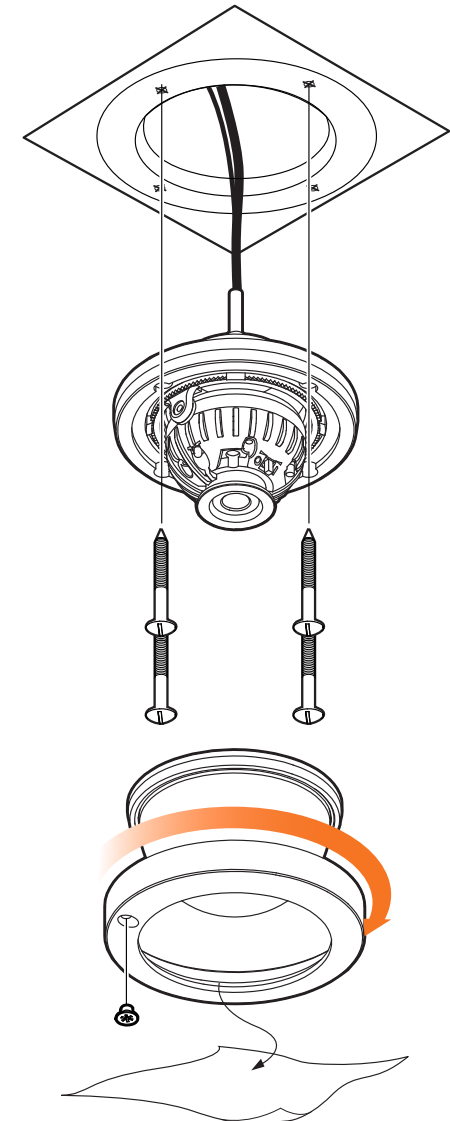
1. The mounting surface must withstand five times the weight of your camera.
2. Pay attention to the cables. They can easily become caught and damaged. Any damage may cause a short or fire.
3. Detach the camera's dome cover by removing the security screw from the decorative ring.
4. Unscrew the decorative ring from the camera module by rotating it counter-clockwise.



STEP 2 - CABLING THE CAMERA TO EXTERNAL DEVICES

Pass the wires through the mount bracket and make all necessary connections. Connect the BNC cable and power cables to the camera.

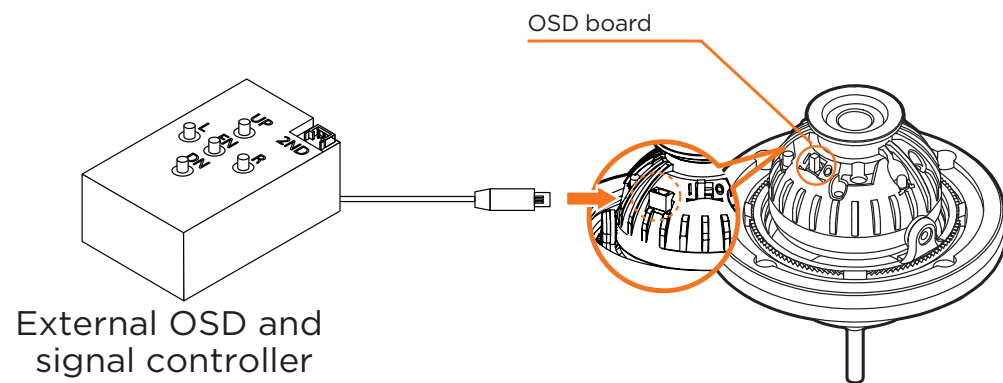
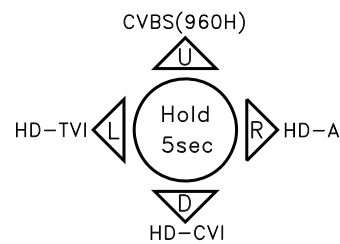
Power requirements	Power consumption
12VDC ONLY! CAUTION! The camera supports DC power supply only	DC12V (LED off): 1.92W DC12V (LED on): 3.12W



STEP 3 - CHANGING THE SIGNAL IN THE CAMERA

- The camera supports HD-Analog, HD-CVI and HD-TVI signals. To switch between the signals:
 - Remove the camera's dome and connect the external controller to the base of the camera. See the image below for more information.
 - Use the OSD Switch to switch the camera's signal.

- To switch the camera to HD-TVI mode, press OSD joystick to the left for 5 seconds.
- To switch the camera to HD-Analog mode, press OSD joystick to the right for 5 seconds.
- To switch the camera to CVBS mode, press OSD joystick up for 5 seconds.
- To switch the camera to HD-CVI mode, press OSD joystick down for 5 seconds.



STEP 4 - INSTALLING THE CAMERA

- Once all cables have been connected, use the screws included with the camera to properly mount and secure the camera to the mounting surface.
- Adjust the camera's pan, tilt and position to achieve the desired view. The cameras' max angles are:
Pan: 0° - 360°
Tilt: 0° - 70°
Rotation: 0° - 360°
- Once the installation is complete, remove the protective film from the camera's dome cover.
- For DWC-MC253WTIR models, the camera has a manual IR switch, located under the camera's lens. You can use this switch to manually turn the IR LED board on or off according to the installation needs.

