



DWC-MV45WiATW



Default Login Information: admin | admin

When logging into the camera for the first time, you must setup a new password. You can set the new password using the DW® IP Finder™ software or directly from the camera's browser menu.

WHAT'S IN THE BOX

Quick setup and download guide		1	Screws and plastic anchors - 4pcs		1 set
Mounting template		1	Hex wrench		1
Test video cable		1	Star Screwdriver		1
DC plus cable		1	Moisture absorber and guide		1 set

NOTE: Download all your support materials and tools in one place

- Go to: <http://www.digital-watchdog.com/resources>
- Search your product by entering the part number in the 'Search by Product' search bar. Results for applicable part numbers will populate automatically based on the part number you enter.
- Click 'Search'. All supported materials, including manuals and quick start guide (QSGs) will appear in the results.



Attention: This document is intended to serve as a quick reference for initial set-up. It is recommended that the user read the entire instruction manual for complete and proper installation and usage.

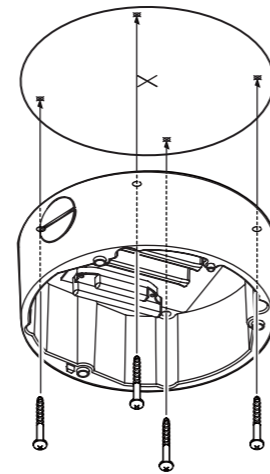
Tel: +1 (866) 446-3595 / (813) 888-9555

digital-watchdog.com

Technical Support Hours:
9:00 AM - 8:00 PM EST, Monday through Friday

STEP 1 - PREPARING TO MOUNT THE CAMERA

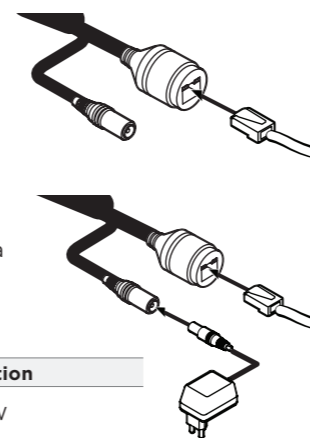
- The mounting surface must bear five times the weight of your camera.
- Do not let the cables get caught in improper places or the electric line cover to be damaged. This may cause a breakdown or fire.
- For the installation, detach the camera module from the junction box. Use the Star Screwdriver included to loosen the three screws at the base of the camera module.
- Using the mounting template sheet or the camera itself, mark and drill the necessary holes in the wall or ceiling.
- Secure the camera's junction box to the mounting surface using the included screws and anchors.



STEP 2 - POWERING THE CAMERA

Pass the wires through and make all necessary connections. See STEP 4 for more information.

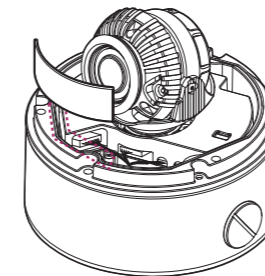
- NETWORK CONNECTIONS -** Using a PoE Switch or PoE Injector, connect the camera using an Ethernet cable for both data and power.
- NETWORK CONNECTIONS -** Not using PoE Switch or PoE Injector, connect the camera to the switch using an Ethernet cable for data transmission and use a power adapter to power the camera.



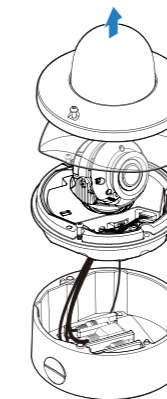
Power requirements	Power consumption
DC12V, PoE (IEEE 802.3af class 3). Adapter not Included.	DC12V: max 8.3W PoE: max 10.5W

STEP 3 - INSTALLING THE CAMERA

- Once all cables are connected, make sure they are positioned properly and out of the way (see STEP 4). Attach the camera module to the junction box. Use the Star Screwdriver to secure the camera in place.
- Install the moisture packet in the base of the camera module.
 - Remove the moisture absorber from the packaging.
 - Cut the card and folder along the dotted line.
 - Place the moisture absorber under the camera's lens module.

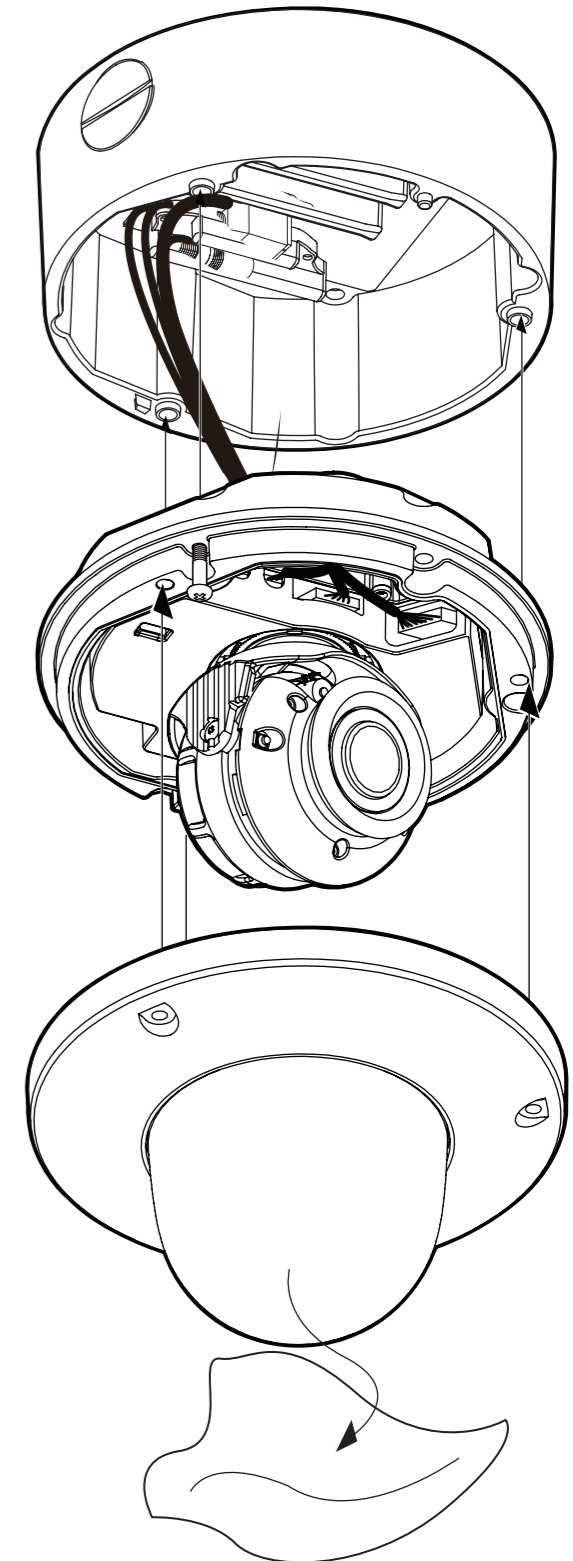
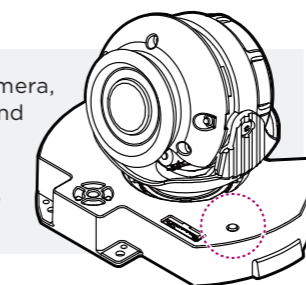


- Adjust the camera's tilt and angle using its 3-axis gimbal to match the installation's needs.
 - Pan: 360°
 - Tilt: 75°
 - Rotation: 355°
- Remove the protective film between the dome and the camera module.
- Attach the camera's dome cover to the camera module using the Hex Wrench included.
- Once the installation is complete remove the protective film from the camera dome.



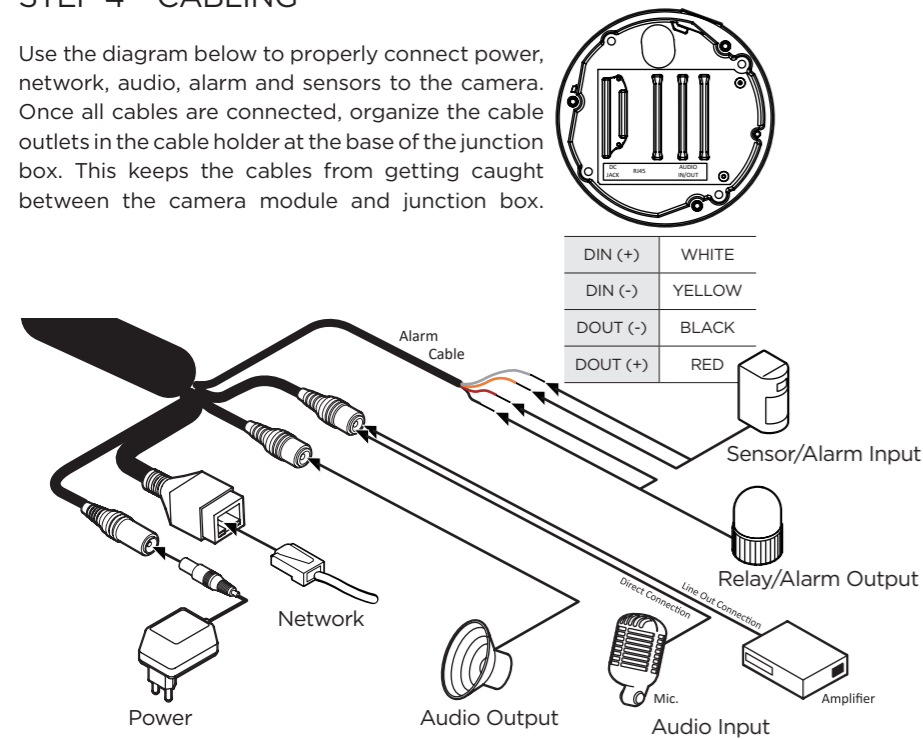
WARNING DO NOT TOUCH THE SURFACE OF THE BUBBLE. CleanView™ Hydrophobic Dome Coating has been applied to the camera's dome.

Resetting the camera: To reset the camera, use the tip of a paper clip or a pencil and press the reset button. Pressing the button for five (5) seconds will initiate a camera-wide reset of all the settings, including network settings.



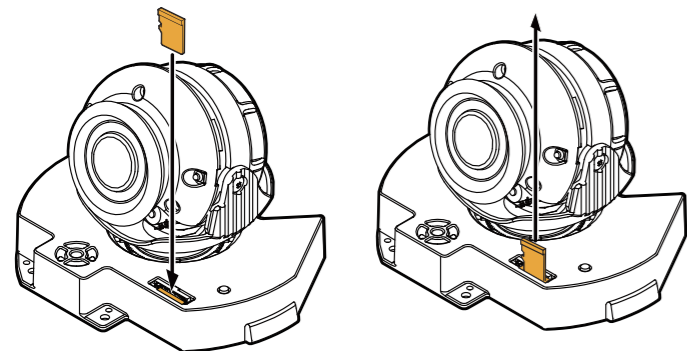
STEP 4 - CABLING

Use the diagram below to properly connect power, network, audio, alarm and sensors to the camera. Once all cables are connected, organize the cable outlets in the cable holder at the base of the junction box. This keeps the cables from getting caught between the camera module and junction box.



STEP 5 - MANAGING THE SD CARD

- To install the camera's SD Card, locate the SD card slot at the base of the camera module by removing the cover dome.
- Insert class 10 SD/SDHC/SDXC card into the SD card slot by pressing the SD card until clicks.
- To remove the SD card, press the card inward until it clicks to release from the card slot then pull out from the slot.



NOTE: Maximum SD Card size supported: 64GB. When inserting the SD card into the card slot, the SD card's contacts should be facing upward, as shown in the diagram.

STEP 6 - DW® IP FINDER™

Use the DW IP Finder software to scan the network and detect all MEGApix® cameras, set the camera's network settings or access the camera's web client.

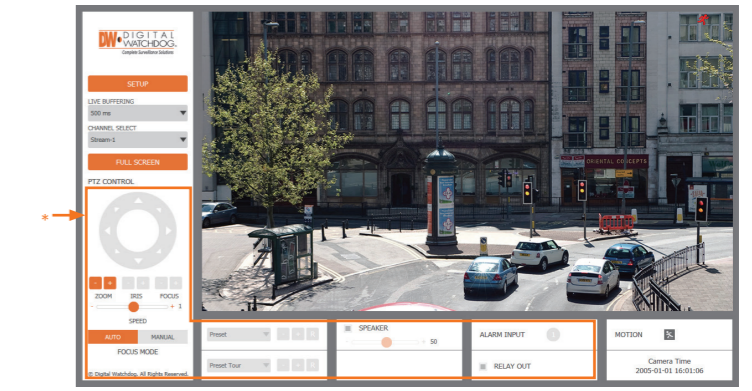
Network Setup

- To install the DW® IP Finder™, go to <http://www.digital-watchdog.com>
- Enter "DW® IP Finder" on the search box at the top of the page.
- Go to the "Software" tab on the DW® IP Finder™ page to download the installation file.
- Follow the installation to install the DW® IP Finder™. Open the DW® IP Finder™ and click 'Scan Devices'. It will scan the selected network for all supported devices and list the results in the table. During the scan, the DW® logo will turn gray.
- When connecting to the camera for the first time, a password must be set. To set up a password for your new camera:
 - i** Select DHCP to allow the camera to receive its IP address automatically from the DHCP server.
 - i** Select "Static" to manually enter the camera's IP address, (Sub) Netmask, Gateway and DNS information.
 - * The camera's IP must be set to Static if connecting to Spectrum® IPVMS.
 - i** Contact your network administrator for more information.
 - i** Default TCP/IP information: DHCP

- Check the box next to your new camera from the IP Finder's search results. You can select multiple cameras.
 - Click "Bulk Password Assign" on the left.
 - In the pop-up window, enter admin/ admin in the current username and password fields. Enter a new username and password to the right.
 - Press "change" to apply all changes.
- Select a camera from the list by double-clicking on the camera's image or clicking on the 'Click' button under the IP Conf. column. The pop-up window will show the camera's current network settings, allowing admin users to adjust the settings as needed.
 - To access the camera's web page, go to the IP Config page and click on the 'View Camera Website'.
 - To save the changes made to the camera's setting, input the username and password of the camera and click Apply.

i 'Port forwarding' has to be set in your network's router for external access to the camera.

STEP 7 - WEB VIEWER

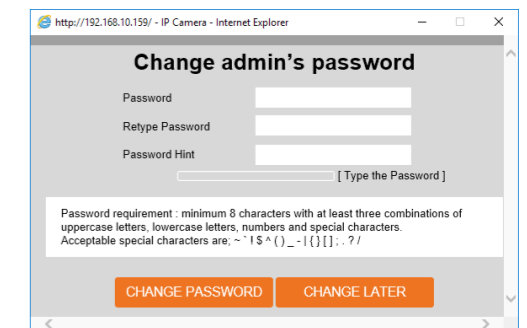


The GUI display may differ by camera models.

Once the camera's network settings have been setup properly, you can access the camera's web viewer using the DW® IP Finder™.

To open the camera's web viewer:

- Find the camera using the DW® IP Finder™.
- Double-click on the camera's view in the results table.
- Press the 'View Camera Website'. The camera's web viewer will open up in your default web browser.
- Enter the camera's username and password you setup in the DW® IP Finder™. If you did not setup a new username and password via the DW® IP Finder™, you will not be able to view video from the camera. A message will direct you to setup a new password for the camera to view video.



- When accessing the camera for the first time, install the VLC player for web files to view video from the camera.

NOTE: 32bit version of the VLC player must be installed. If you are using a 64bit system, uninstall the previous 64bit version and reinstall using the 32bit version.

NOTE: Some menu options may not be available based on the camera model. See the full manual for more information.