

# ELK Sealed Lead Acid Battery

## Two-Year Warranty

ELK Sealed Lead Acid Batteries are excellent for the following applications with regard to size, amp hour rating, and proper terminal connections: battery backup (for access control systems, fire alarm systems, and security alarm systems), electrically motorized vehicles, emergency lights, lighted exit signs, and uninterruptible power supplies.

### ELK-12120 12V, 12 Ah

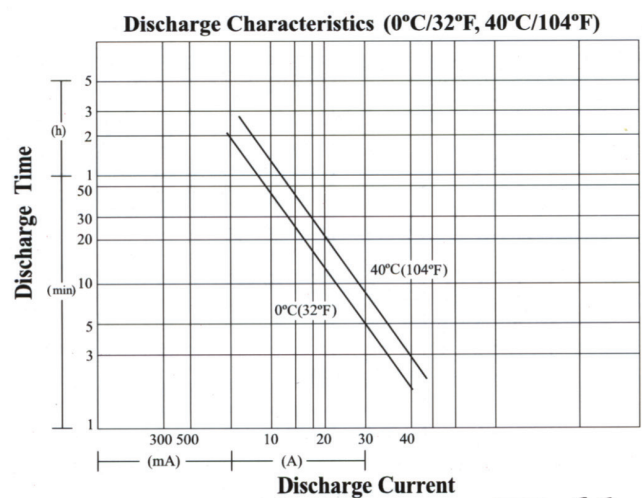
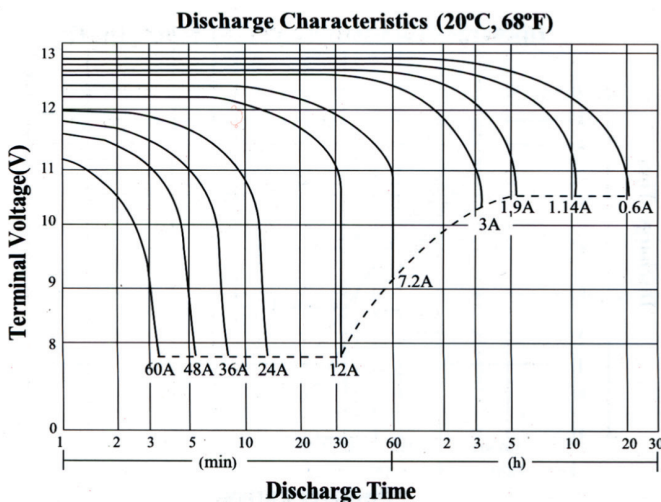
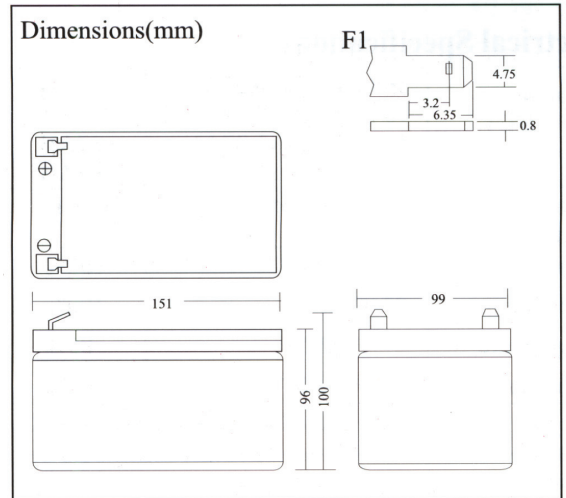
SPECIFICATIONS:	
Nominal Voltage	12 Volts
Rated Capacity	12 Ah (20 hour rate)
Length	5.94" (151 mm)
Width	3.90" (99 mm)
Height	3.94" (100 mm)
Weight (Approximate)	7.8 lbs (3.5 kg)
Terminals	F1 Faston Tab (.187")



**UL**  
UL Recognized  
Component

  
97% Recyclable

ELECTRICAL SPECIFICATIONS:		
Capacity 77°F(25°C)	20 hour rate (0.6A)	12Ah
	10 hour rate (1.14A)	11.4Ah
	5 hour rate (1.9A)	9.5Ah
	1 hour rate (7.2A)	7.2Ah
Capacity affected by Temperature (20 hour rate)	104°F (40°C)	102%
	77°F (25°C)	100%
	32°F (0°C)	85%
	5°F (-15°C)	65%
Charge Constant Voltage	Cycle: Initial Charging Current less than 3.6A Voltage 14.4V - 15.0V at 77°F(25°C)	
	Standby: Voltage 13.5V - 13.8V at 77°F(25°C)	



**UL CE**

**ELK**  
PRODUCTS

For more information, including details on recycling ELK batteries and MSDS for this product, please visit [www.elkproducts.com](http://www.elkproducts.com) or call us at (828) 397-4200.