

ELK Sealed Lead Acid Battery

Two-Year Warranty

ELK Sealed Lead Acid Batteries are excellent for the following applications with regard to size, amp hour rating, and proper terminal connections: battery backup (for access control systems, fire alarm systems, and security alarm systems), electrically motorized vehicles, emergency lights, lighted exit signs, and uninterruptible power supplies.

ELK-1250 12V, 5 Ah

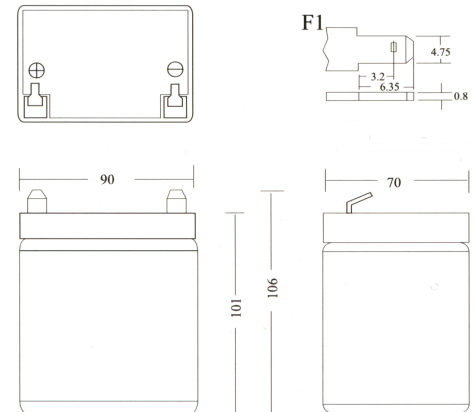
SPECIFICATIONS:	
Nominal Voltage	12 Volts
Rated Capacity	5 Ah (20 hour rate)
Length	3.54" (90 mm)
Width	2.76" (70 mm)
Height	4.17" (106 mm)
Weight (Approximate)	3.4 lbs (1.5 kg)
Terminals	F1 Faston Tab (.187")



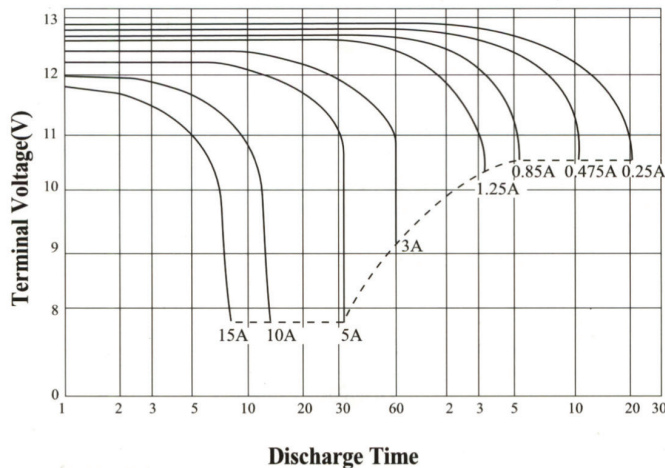
97% Recyclable

ELECTRICAL SPECIFICATIONS:		
Capacity 77°F(25°C)	20 hour rate (0.25A)	5Ah
	10 hour rate (0.475A)	4.75Ah
	5 hour rate (0.85A)	4.25Ah
	1 hour rate (3.0A)	3.0Ah
Capacity affected by Temperature (20 hour rate)	104°F (40°C)	102%
	77°F (25°C)	100%
	32°F (0°C)	85%
	5°F (-15°C)	65%
Charge Constant Voltage	Cycle: Initial Charging Current less than 1.5A Voltage 14.4V - 15.0V at 77°F(25°C)	
	Standby: Voltage 13.5V - 13.8V at 77°F(25°C)	

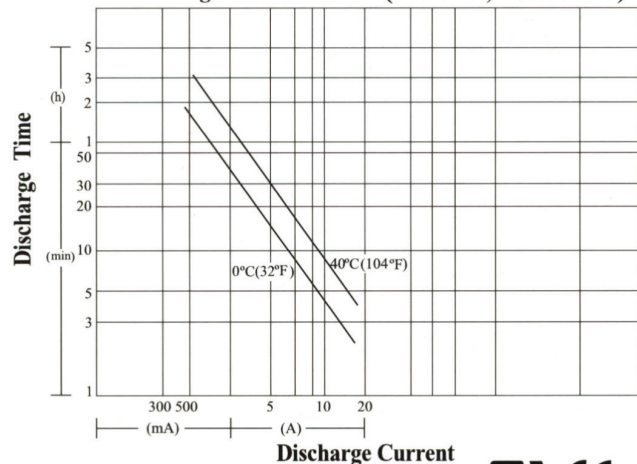
Dimensions(mm)



Discharge Characteristics (20°C, 68°F)



Discharge Characteristics (0°C/32°F, 40°C/104°F)



For more information, including details on recycling ELK batteries and MSDS for this product, please visit www.elkproducts.com or call us at (828) 397-4200.

