

* Try these other fine ELK products *

Magic Module Series

- MM443** Magic Module, 4 Input, 4 Output, Programmable
- MM447** Automation Controller w/Voice, Caddx Interface
- MV480** Recordable Voice Module, 400 Channels
- MKHOME1** Home Control Kit for Caddx NX Controls
- MK400** Starter Kit, Includes MM443 & MK485
- MK485** Programming Kit, MB485, Cables, Software
- MK410** X-10® Transceiver Kit, Programmed MM443
- MK420** iButton™ Access Kit w/ MM443, MA100, MA101
- MA100** iButton™ 'Touchkey' Reader & Interface Pack
- MA101** iButton™ 'Touchkeys', 10 pcs w/keyring holders
- MA290** Proximity / Wiegand Data Interface to MM443
- MB485** Data Bus Interface, RS232 to RS485
- MC100** Clock / Calendar Module for MM443
- ML8** Link Interface to Caddx NX Controls
- MT100** Temperature Sensor Module for MM443
- MM220** Magic Module, 2 Input, 2 Output, Programmable

Rust Free Sirens / Speakers

- 1RT** Speaker & Stainless Steel Enclosure
- 150RT** Siren & Stainless Steel Enclosure
- 155RT** Voice Siren in Stainless Steel Box

Speakers & Sirens

- 44** Speaker, 30 W, 8 Ohm Compact Horn
- 45** Siren, Compact Horn, 118db
- 55** Voice Siren, Compact Horn
- M120** Siren, Single Tone, 107db, Mini Horn
- SP15** Speaker, 15 watt, Small Horn
- SP30** Speaker, 30 watt, Horn
- SP35** Speaker, 20 watt, Interior
- SP40** Speaker, 40 watt, Horn
- SS15** Siren, Dual Tone, 110db, Horn
- SS30** Siren, Dual Tone, 120db, Horn
- SS36** Siren, Dual Tone, 105db, Interior

ECHO™ Sirens & Speakers

- 73** ECHO Speaker, 20 Watt, Interior
- 74** ECHO Dual Tone Siren, Interior
- 75** ECHO Voice Siren, Interior
- 870** ECHO Speaker, Self Amplified

Siren & Voice Drivers

- 100** High Performance Siren Driver
- 110** Voice Siren Driver, English & Spanish
- 120** Recordable Voice Module and Siren
- 124** Recordable Voice Module, 4 Channels

Surge Suppressors

- 950** Surge Suppressor, Phone & Power Line
- 951** Surge Suppressor, Phone - Single Line
- 955** Surge Suppressor, Phone - Dual Line

Relay Modules

- 912** Compact Relay, 12 Vdc, SPDT
- 912B** Heavy Duty Compact Relay, 12/24 Vdc, SPDT
- 924** Sensitive Relay, 12/24 Vdc, DPDT
- 941** Alarm Output Director
- 960** Delay Timer Relay, 1 sec. to 60 min.

Power Products

- 1240** Battery, Lead Acid, 12v, 5Ah
- 1270** Battery, Lead Acid, 12v, 8Ah
- 12100** Battery, Lead Acid, 12v, 12Ah
- 12170** Battery, Lead Acid, 12v, 18Ah
- 12250** Battery, Lead Acid, 12v, 25Ah
- P112** 12 Volts DC, 1 Amp Power Supply w/Enclosure
- P124** 24 Volts DC, 800mA Power Supply w/Enclosure
- P1216** 12 Volts DC, 1.5 Amp Power Supply
- P412** 12 Volts DC, 4 Amp Power Supply
- P624** Power Supply & Battery Charger
- PD9** Power Distribution Module
- 965** Low Battery Cutoff and Power Switch
- TRG1640** Transformer, 16.5VAC @ 40 VA
- TRG2440** Transformer, 24VAC @ 40 VA

Accessories

- 129** Computer Sound Card Interface
- 800** Audio Amplifier, 10 Watts
- 900-2** "B" Connectors, Unfilled, 500 pcs
- 902-2** "B" Connectors, Gel filled, 500 pcs
- 980** Telephone Line Fault Monitor
- 998** Warning Alarm System Decals
- 999** Double Sided Tape
- SL1** Strobe Light, 4 colors available
- WK1** Wall Mount Kit for SL1 Strobes

For more information contact your local Distributor or:
 ELK PRODUCTS, INC 828-397-4200 FAX 828-397-4415
<http://www.elkproducts.com> Email: info@elkproducts.com

Power Supply and Battery Charger

ELK-P624

6, 12, or 24 Volt DC

APPLICATION:

The ELK-P624 is engineered to be a trouble-free general-purpose power supply/charger. It features automatic reset "fuseless" overload protection which eliminates service calls to replace blown fuses. The output voltage is easily selected with easy to change mini-jumpers.



Power Supply and Battery Charger

ELK-P624



Selectable 6, 12, or 24 Volt DC

FEATURES:

- Auto-Resetting Overload Protection.
- Visual AC and DC Power Indicator LEDs.
- Selectable 6, 12, or 24Vdc Regulated Output
- AC and DC Surge Suppression.
- Built-In Battery Charging Circuit.
- Lifetime Limited Warranty, call for details

SPECIFICATIONS:

- Size: 3" X 3" (76.2mm X 76.2mm).
- Standby Battery Capacity: 1.2 to 10Ah.
- Auto-Reset Overload Protection: 2.5 Amps.

6V Setting:

- Transformer Input: 12Vac, 40VA.
- Continuous Output Current: 1.2A . **

12V Setting:

- Transformer Input: 16.5Vac, 40VA.
- Continuous Output Current: 1.0A . **

24V Setting:

- Transformer Input: 24Vac, 40VA.
- Continuous Output Current: 800mA. **

** Higher output current (up to 2.5 Amps) may be drawn for a short time provided a fully charged battery is connected.

Features or Specifications subject to change without notice.



828-397-4200 Voice
 828-397-4415 Fax
<http://www.elkproducts.com>
 email: info@elkproducts.com
 PO Box 100 • Hwy. 70W • Hildebran, NC 28637 • USA

Instructions Printed On Inside

APPLICATIONS AND WIRING DIAGRAMS

AC Transformer Input Terminals

IMPORTANT! Connect proper Transformer according to desired output voltage!

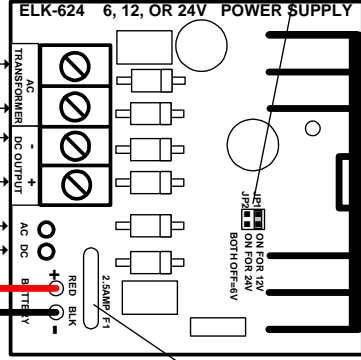
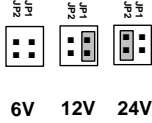
For **6V DC Output**, connect a **12V, 40VA**
 For **12V DC Output**, connect a **16.5, 40VA**
 For **24V DC Output**, connect a **24V, 40VA**

DC Output Terminals

Connect device(s) to be powered.
 Observe + / - polarity!

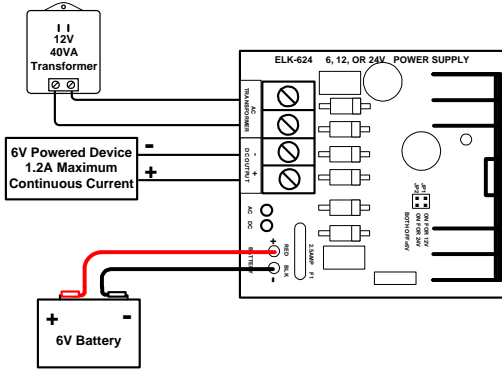
LED Status Indicators

(Green) AC	(Red) DC	Indication
ON / ON	ON	AC input is on / DC output is on. Normal.
OFF / ON	ON	AC input is off / DC output is from <u>Battery only</u> . Step down Transformer is defective or unplugged, or the AC outlet is off. Battery will eventually discharge.
ON / OFF	OFF	AC input is on / DC output is off. The auto-reset overload protector is likely open due to an overload short circuit. Try reducing some of the device load.
OFF / OFF	OFF	AC input is off / DC output is off.



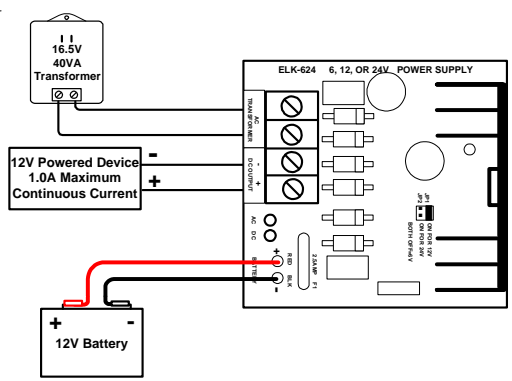
Battery Wires
 Connect to rechargeable Lead-acid battery
 1.2 Ah up to 10 Ah
 (Red = "+", Black = "-")

Auto-Reset (Fuseless) Overload Protector - 2.5 Amp
 Automatically resets when short or overload is removed.



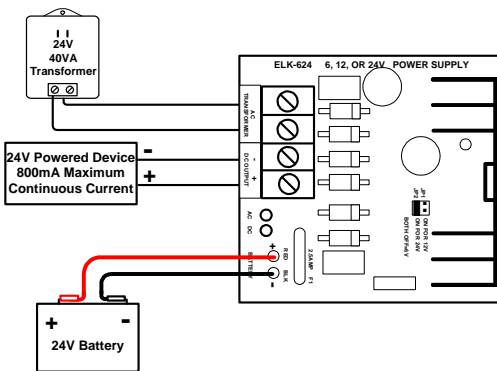
6 VOLT MODE

For 6 volt output, remove the small black mini-jumper from the header pins marked JP1 and JP2. (See Figure 1 above) Then connect a 12Vac, 40VA transformer to the AC TRANSFORMER terminals and connect a 6V battery to the red (+) and black (-) battery wires. The mini-jumper may be discarded or stored for later use by placing one side onto a single header pin.



12 VOLT MODE

For 12 volt output, place the small black mini-jumper on the header pins marked JP1. (See Figure 1 above) Make certain that header pin JP2 is vacant. Connect a 16.5 Vac, 40VA transformer to the AC TRANSFORMER terminals and connect a 12V battery to the red (+) and black (-) battery wires.



24 VOLT MODE

For 24 volt output, place the small black mini-jumper on the header pins marked JP2. (See Figure 1 above) Connect a 24 Vac, 40VA transformer to the AC TRANSFORMER terminals and connect a 24V battery to the red (+) and black (-) battery wires.