

## 20RS Series 3/8" Short Press Fit Switch Sets



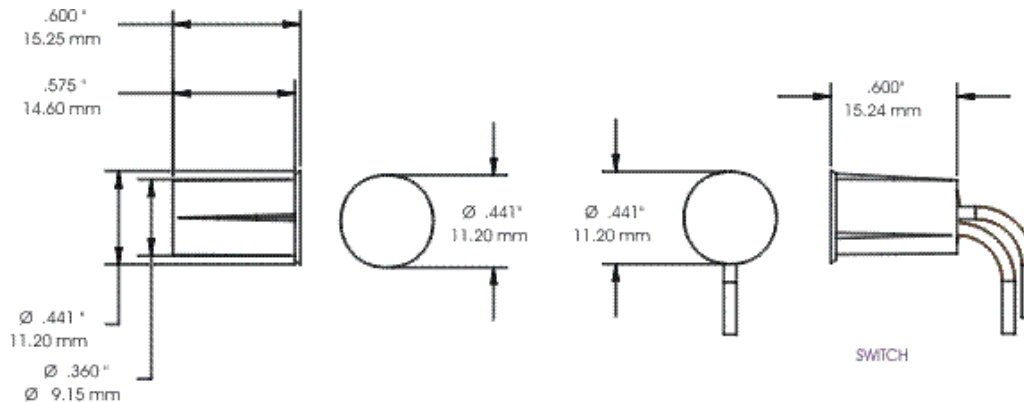
**20RS-12**  
5/8" Length

- Lifetime Warranty
- Colors: White, Brown, Gray
- UL and ULC Approved
- Available in Open Loop, Closed Loop and SPDT
- 3/8" Diameter, Press To Fit
- Standard Lead Length 12" or Terminal Block
- Longer Leads, Zip Cord or Jacketed Cable on Request
- Ideal for Thin Framed Doors & Windows
- Built-in Resistors & Diodes Available on Request
- Switches or Magnets Available Separately
- Standard Gap 3/4"+
- Extra Wide Gap 1"+

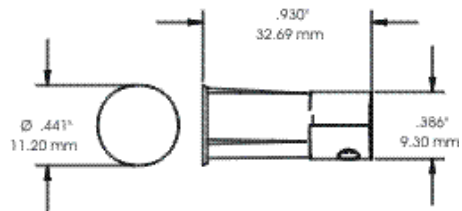
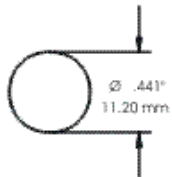
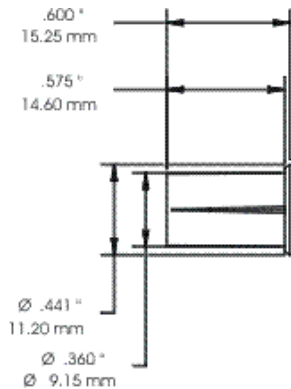
The G.R.I. recessed "shortie" switch set is designed for applications where a 3/8" press to fit set is needed but space limitations will not allow for a full length set to be installed. With the 5/8" 20RS-12, or the .930" 20RS-T, the installer is able to protect openings that otherwise would have to be secured with more visible surface mount configurations. Available in regular and extra wide gaps, the 20RS series provides an easy answer to the difficult, high dollar window problems every installer encounters.



**20RS-T**  
.930" Length



**20RS-12**  
5/8" Length



SWITCH

**20RS-T**  
 .930" Length

# MINIATURE 3/8" RECESSED SWITCH SET



## 20RS-12/20RS-T SERIES



- ◆ Ideal For Thin Framed Doors and Windows
- ◆ Recessed Magnetic Contact ◆ Press To Fit
- ◆ 12" #22AWG Leads or Screw Terminals
- ◆ Longer Leads, Zip Cord or Jacketed Cable Upon Request
- ◆ Hermetically Sealed
- ◆ Plated Contacts Resist Sticking or Freezing
- ◆ Built-in E.O.L. Resistors and Diodes Upon Request
- ◆ Supervisory Loops Available Upon Request
- ◆ Switches and Magnets Available Separately
- ◆ Colors: White, Brown, Gray
- ◆ Lifetime Warranty



**20RS-12**  
.625" Length



**20RS-T**  
.930" Length



**30RS-12/40RS-12**  
.780" Length

### PART NUMBERS:

	<b>Closed Loop</b>	<b>Open Loop</b>	<b>SPDT</b>
Standard Gap 1/2" +	20RS-12 20RS-T	30RS-12	40RS-12
Extra Wide Gap 1" +	20RS-12XWG 20RS-TXWG	30RS-12XWG	40RS-12XWG

### INSTALLATION APPLICATIONS:

The G.R.I. recessed "shortie" switch set is designed for applications where a 3/8" press to fit set is needed, but space limitations will not allow for a full length set to be installed. Just 5/8" long, the installer is able to protect openings with the 20RS-12 that otherwise would have to be secured with more visible surface mount configurations. Available in regular and extra wide gaps, the 20RS series provides an easy answer to the difficult, high dollar window problems every installer encounters.

GEORGERISK INDUSTRIES, INC.  
G.R.I. PLAZA  
KIMBALL, NE 69145



MADE IN U.S.A.

TOLL-FREE 1-800-445-5218

TOLL-FREE 1-800-523-1227

(308) 235-4645

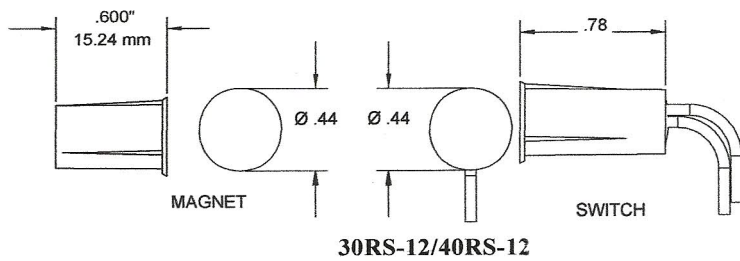
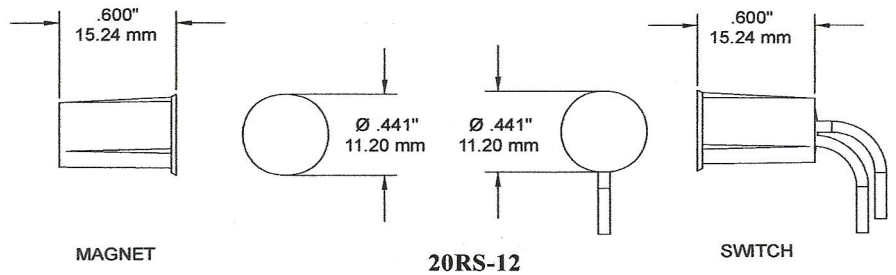
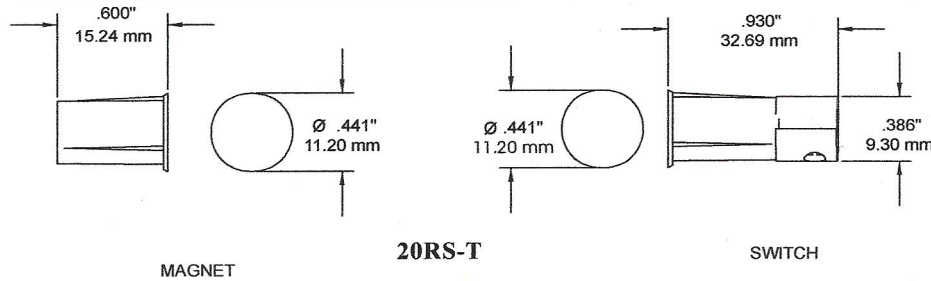
FAX (308) 235-3561

E-MAIL: [grisales@megavision.com](mailto:grisales@megavision.com)

WEB SITE: [www.grisk.com](http://www.grisk.com)



# MINIATURE 3/8" RECESSED SWITCH SET



**GRI products meet or exceed these minimum general specifications:**

PART NUMBER	LOOP TYPE	ELECTRICAL CONFIG.	REED FORM	MAXIMUM INITIAL CONTACT RESISTANCE (Ω)	MAXIMUM CONTACT RATING (W)	MAXIMUM SWITCHING VOLTAGE (VDC)	MAXIMUM SWITCHING CURRENT (A)
20RS-12	Closed	N/O	A	.150	10	200	.500
20RS-12XWG	Closed	N/O	A	.150	10	200	.500
20RS-T	Closed	N/O	A	.150	10	200	.500
20RS-TXWG	Closed	N/O	A	.150	10	200	.500
30RS-12	OPEN	N/C	B	.140	5	175VDC	.250
30RS-12XWG	OPEN	N/C	B	.140	5	175VDC	.250
40RS-12	Open/Closed	SPDT	C	.140	5	175VDC	.250
40RS-12XWG	Open/Closed	SPDT	C	.140	5	175VDC	.250

**WARRANTY:** Lifetime warranty against workmanship, material and factory defects.

**CONTACT YOUR G.R.I. DISTRIBUTOR OR CALL:**

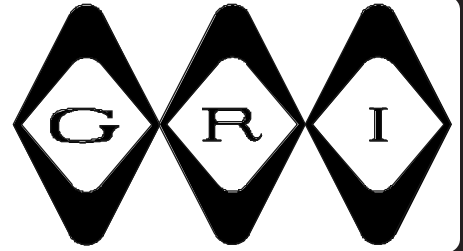
GEORGE RISK INDUSTRIES, INC.  
G.R.I. PLAZA  
KIMBALL, NE 69145



TOLL-FREE 1-800-445-5218  
TOLL-FREE 1-800-523-1227  
(308) 235-4645  
FAX (308) 235-3561

E-MAIL: [grisales@megavision.com](mailto:grisales@megavision.com)  
WEB SITE: [www.grisk.com](http://www.grisk.com)

# N SERIES SWITCH SETS



- ◆ Rare Earth Magnets Paired With Press To Fit Contacts
- ◆ Solves Problem Installs ◆ Time Saving Installations
- ◆ Nickel Plated To Protect From Chipping And Corrosion
- ◆ Use MM-600 With A Standard Gap Switch To Attain Wide Gap



N2120-12



N2020-TWG



N20RS-12

G.R.I.'s "Mighty Mag" contacts will assist in resolving the installer's problem of drilling into the new thinner vinyl windows. These rare earth magnets are less than 1/8" high and install fast and easily without worry about damage to the window itself. (Please see the Mighty Mag page in the accessories section of G.R.I.'s full line catalog for dimensions).

G.R.I.'s Mighty Magnets make use of a rare earth alloy which allows the size of the magnet to be significantly reduced while still retaining or improving the gap involved. These rare earth magnets can be mounted with the stainless steel mounting screws provided (MM-400 and MM-600) and/or double stick tape included in the bag, or may be glued into place.

**Note:** G.R.I. suggests using a silicone or clear nail polish sealant on the surface of installed rare earth magnets to prevent corrosion.

## PART NUMBERS:

N120T-12	N2020-T	N2120-12	N50RF-12
N120T-12WG	N2020-TWG	N2120-12WG	N50RF-12WG
N150-12	N20RS-12	N4473	N50RS-12
N150-12WG	N20RS-12WG	N4473WG	N50RS-12WG
N2020-12	N20RS-T	N50R-12	N5065
N2020-12WG	N20RS-TWG	N50R-12WG	

Other possible combinations including Open Loop and S.P.D.T. available or as Switch Only and Magnet Only.

GEORGE RISK INDUSTRIES, INC.  
G.R.I. PLAZA  
KIMBALL, NE 69145



TOLL-FREE 1-800-445-5218  
TOLL-FREE 1-800-523-1227  
(308) 235-4645  
FAX (308) 235-3561  
E-MAIL: [grisales@megavision.com](mailto:grisales@megavision.com)  
WEB SITE: [www.grisk.com](http://www.grisk.com)

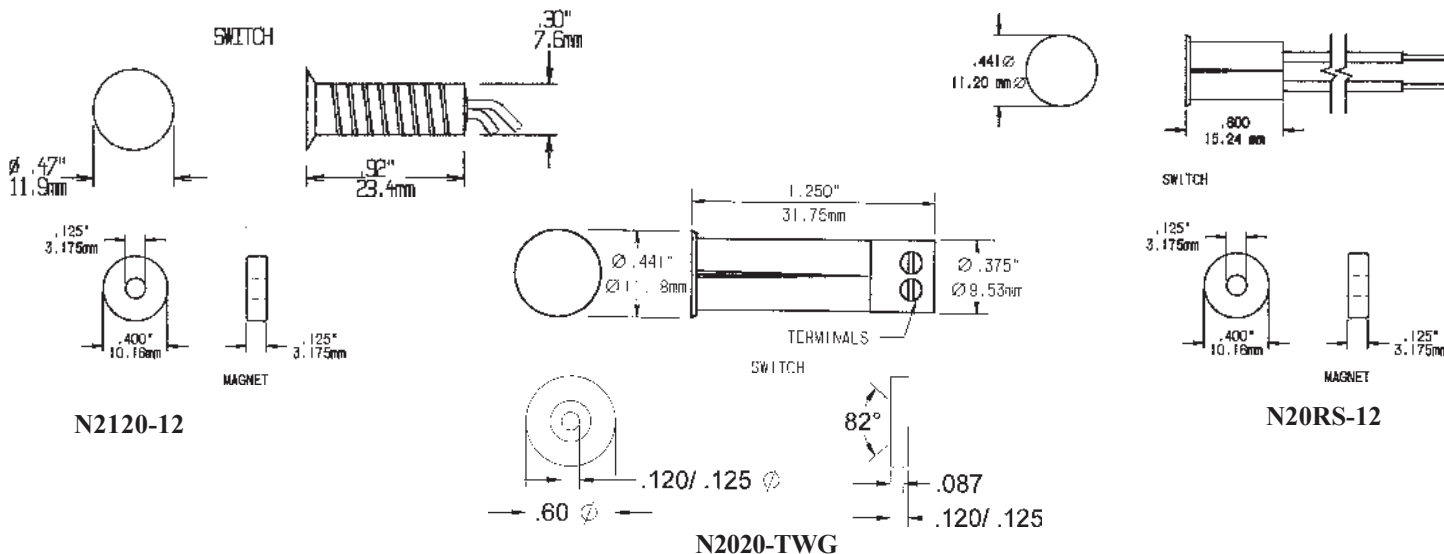


# SWITCHES WITH RARE EARTH MAGNETS

Pair Switch with Magnet to get the following gaps:

Switch	Description	MM-25				
		MMR-25	MM-375	MM-10	MM-400	MM-600
S120T-12	3/4" Press Fit/Leads	3/8"+	1"+	Up to 1"	Up to 3/4"	1"+
S150-12	1/2" Press Fit/Leads	1/2"+	1 1/2"+	Up to 1"	3/4"+	1 1/2"+
S2020-12	3/8" Press Fit/Leads	Up to 1/2"	1"+	Up to 1"	1"+	1"+
S2020-T	3/8" Press Fit/Terminals	3/8"+	1"+	Up to 1"	Up to 3/4"	1"+
S20RS-12	3/8" Short Press Fit/Leads	Up to 3/8"	1"+	3/4"+	Up to 3/4"	Up to 1"
S20RS-T	3/8" Short Press Fit/Terminals	3/8"+	1"+	3/4"+	Up to 3/4"	Up to 1"
S2120-12	3/8" Ribbed Press Fit/Leads	5/8"+	1"+	Up to 1"	Up to 3/4"	1"+
S4473	3/4" Press Fit/Terminals	Up to 1/2"	1 1/4"+	Up to 1"	Up to 3/4"	1"+
S50R-12	1/4" Press Fit/Leads	Up to 1/2"	Up to 1 1/2"	1"+	3/4"+	Up to 1 1/4"
S50RF-12	1/4" Press Fit/Flanged/Leads	Up to 1/2"	Up to 1 1/2"	1"+	Up to 3/4"	Up to 1 1/4"
S50RS-12	1/4" Short Press Fit/Leads	Up to 3/8"	1"+	3/4"+	Up to 1/2"	Up to 1 1/4"
S5065	3/8" Press Fit/Leads	1/2"+	1"+	1"+	Up to 1"	Up to 1 1/4"

Magnet orientation will affect operation of switch. Please confirm operation prior to installation.



**WARRANTY:**

Lifetime warranty against workmanship, material and factory defects.

**CONTACT YOUR G.R.I. DISTRIBUTOR OR CALL:**

GEORGE RISK INDUSTRIES, INC.  
GRI PLAZA  
KIMBALL, NE 69145



MADE IN U.S.A.

TOLL-FREE 1-800-445-5218  
TOLL-FREE 1-800-523-1227  
(308) 235-4645  
FAX (308) 235-3561  
E-MAIL: [grisales@megavision.com](mailto:grisales@megavision.com)  
WEB SITE: [www.grisk.com](http://www.grisk.com)