

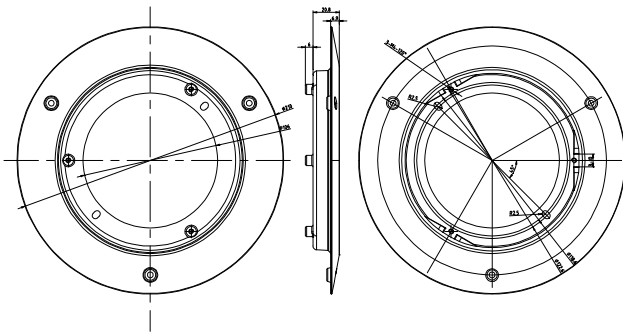
RCM-2 In-Ceiling Mounting Bracket for Dome Camera



Features

- Aluminum Alloy Material with Surface Spray Treatment
- Designed for Convenient Wiring

Dimensions



NOTE: The actual dome camera may vary from the picture above.

Fits the Following Cameras

DS-2CE56C5T-AVPIR3
DS-2CE56D1T-AVPIR3
DS-2CE56D5T-AIRZ
DS-2CE56D5T-AVPIR3
DS-2CE56D5T-AVPIR3ZH

Order Model

RCM-2

Specifications

	RCM-2
Appearance	Hikvision white
Material	Aluminum alloy
Dimension	Φ210 mm × 26.8 mm (8.27" × 1.05")
Weight	260 g (9.17 ozs)

NOTES:

Install bracket on flat ceiling.

Waterproof rubber is necessary for outdoor application.

The ceiling must be capable of supporting over three times as much as the total weight of the camera and the mount.

Maximum load capacity of the mount is 4.5 kg.