

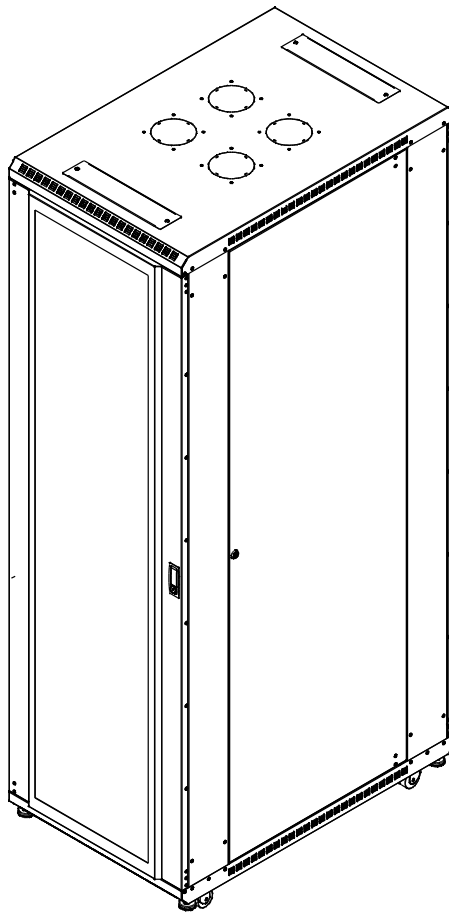
KENDALL HOWARD ®

Installation Instructions

LINIER® FULL SIZE SERVER CABINETS

SERIES:

3100, 3101, 3102, 3103,
3104, 3105, 3106, 3107,
3108, 3110, 3170, & 3180



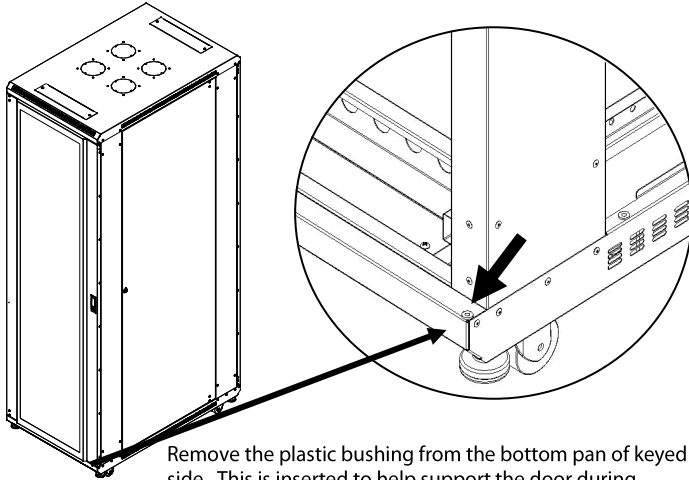
Address: 10152 Liberty Lane
Chisago City, Minnesota, 55013
United States of America

Phone: 651-213-1333

Fax: 800-418-6897

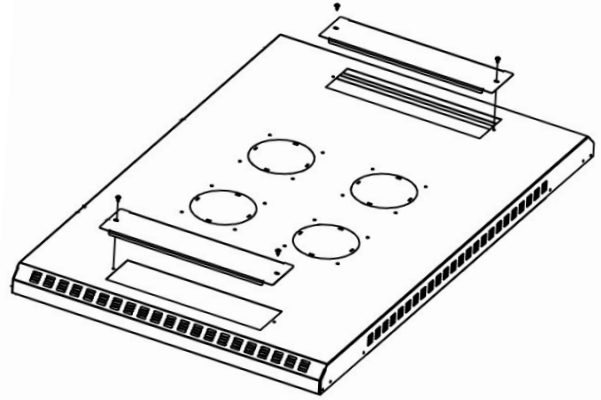
www.kendallhoward.com

Removing Door Support



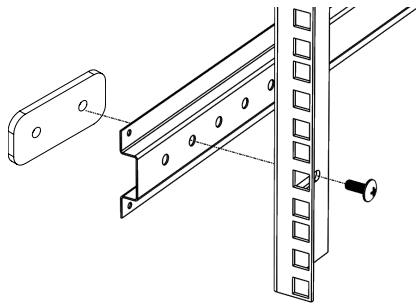
Remove the plastic bushing from the bottom pan of keyed side. This is inserted to help support the door during shipping, but is not needed once the cabinet is installed.

Installing Cable Pass Through Covers



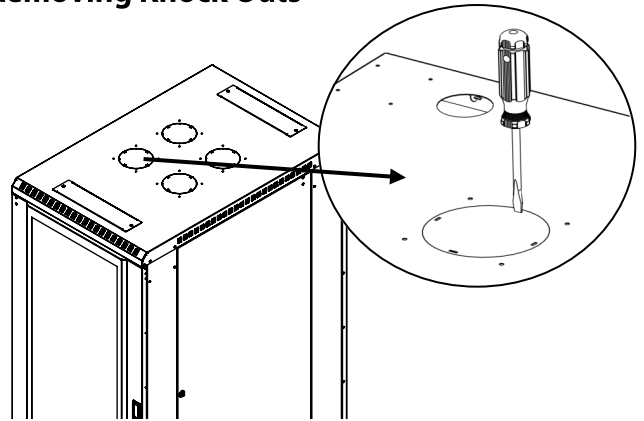
Insert cover into the opening and secure with a screw on either side

Adjusting the Rail Depth



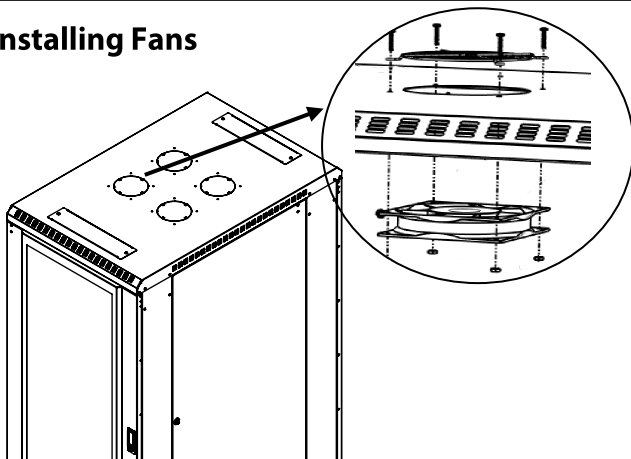
Unscrew the rail from the rail support. Move the rail forwards or backwards to desired location. Insert screw and secure.

Removing Knock Outs



- Insert a flat head screw driver into the small opening at the edge of the knock out.
- Pry upwards and twist until insert breaks free.

Installing Fans



- Place the fan on the underside of the top panel, and the fan guard on the top.
- Line up holes.
- Insert screws through the fan guard, top panel, and fan, and secure nuts.



For details about product warranty, please visit www.kendallhoward.com

DISCLAIMER: Kendall Howard LLC endeavors to make this manual accurate and complete. However, Kendall Howard LLC makes no representations or warranties of any kind, expressed or implied, about whether the use of products contained herein would infringe any rights or the correctness, accuracy or reliability of the information contained herein or that said information covers all details, conditions or variations. The information herein does not provide for every possible contingency in connection with the installation or use of the product(s). The information contained in this document is subject to change without notice or obligation. Kendall Howard LLC assumes no responsibility for the accuracy, completeness or reliability of the information contained in this document. Any reliance placed on the information is therefore strictly at your own risk.