

Sealed-Housing Weatherproof Keypads

SK-1323-SDQ *Stand-Alone Keypad*

SK-1323-SPQ *Stand-Alone Keypad with Built-In Proximity Reader*

Features:

- ▶ 1,010 Users (Output #1: 1,000 users, Output #2: 10 users).
- ▶ 2 Form C relay outputs.
- ▶ Each relay has programmable output time from 1~99 seconds or toggle.
- ▶ Output #2 can be programmed for use with a doorbell.
- ▶ 2 Egress inputs and 1 door sensor input.
- ▶ Backlit keys for easy nighttime use.
- ▶ 2 Multi-colored status LEDs
- ▶ All features are programmed directly from the keypad—no need for an external programmer.
- ▶ EEPROM protects programmed information in case of power loss.
- ▶ Optical tamper sensor for added security.
- ▶ Circuitry is potted with epoxy for outdoor use.
- ▶ Weatherproof (IP65).
- ▶ Rugged aluminum construction.

SK-1323-SPQ only:

- ▶ Built-in 125kHz proximity reader.
- ▶ 3 Programmable access modes for Output #1: Card Only, Card or Code, and Card with Code.
- ▶ Output #2 may have either a card or a code programmed for each user.

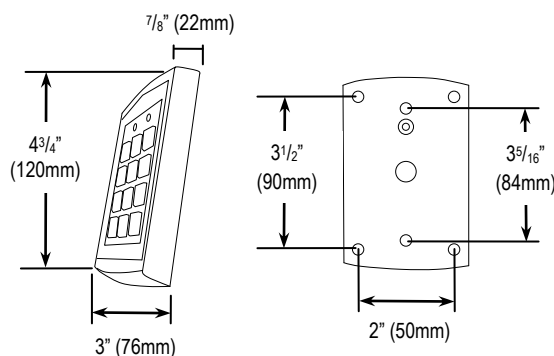


SK-1323-SPQ shown

Specifications:

	SK-1323-SDQ	SK-1323-SPQ
Operating voltage	12~24 VAC/VDC	
Current draw	Standby	40mA@12VDC
	Active	70mA@12VDC
Relay outputs	Output #1	1A@30VDC, Form C, NO/NC/COM
	Output #2	1A@30VDC, Form C, NO/NC/COM
Egress inputs	Input #1	N.O. ground
	Input #2	N.O. ground
Door sensor input	N.C. ground	
Tamper sensor	Optical	
Operating temperature	-4 ~122 F (-20 ~50 C)	
Keypad LED life	60,000 hours (over 6.8 years)	
Weight	1-lb 2-oz (510g)	
Proximity reader frequency	N/A	125kHz
Proximity reader distance	N/A	1 ¹⁵ / ₁₆ " (5cm)

Dimensions:



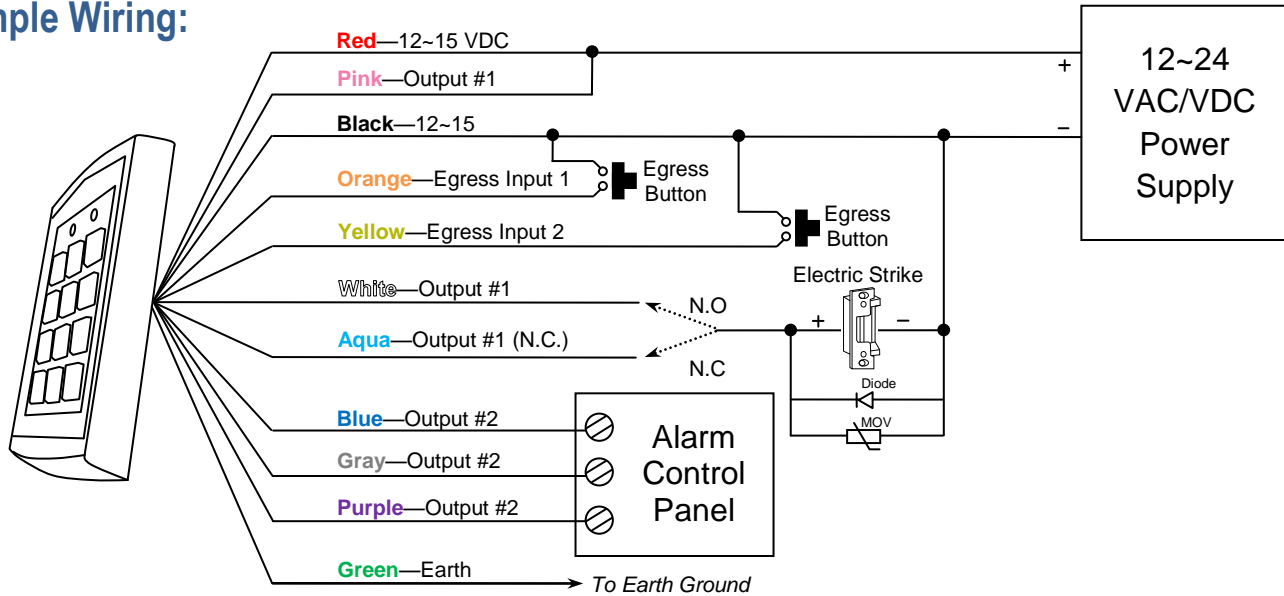
SECO-LARM[®]
16842 Millikan Avenue
Irvine, CA 92606

Tel: 1-949-261-2999
1-800-662-0800
Fax: 1-949-261-7326

Web: www.seco-larm.com
Email: info@seco-larm.com

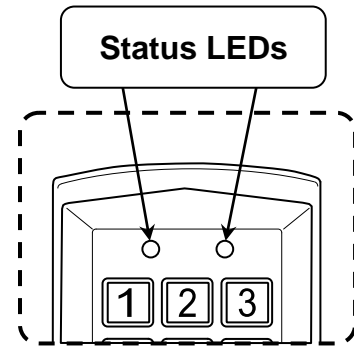
Copyright © 2010
SECO-LARM U.S.A., Inc.
All rights reserved

Sample Wiring:



Status LEDs:

Left LED	Right LED	Keypad Status
OFF	Green	Power ON
OFF	Orange	Programming Mode
Green	Orange flashing	Waiting to program code/card* (card+code access mode)
Red	Orange flashing	Code/card* already present
Green	Green	Relay 1 activated
Red	Green	Relay 2 activated
Orange	Green	Relay 1 and 2 both activated
Orange	Orange	Restoring factory defaults
Green/Yellow flashing	Green	Waiting for code/card entry* (card+code access mode)
OFF	OFF	Power OFF / Clearing user codes



*Card operation with SK-1323-SPQ only.

Also Available from SECO-LARM:

SK-1123-SQ

Outdoor Stand-Alone Keypad

- ▶ Weatherproof
- ▶ 110 Users
- ▶ 2 Relays
- ▶ Surface mount



SK-1123-FQ

Outdoor Stand-Alone Keypad

- ▶ Weatherproof
- ▶ 110 Users
- ▶ 1 Relay
- ▶ Flush mount



SK-2323-SDQ

Mullion-Style Keypad

- ▶ Weatherproof
- ▶ 1,010 Users
- ▶ 2 Relays
- ▶ Prox-reader available



SK-1011-SQ

Indoor Stand-Alone Keypad

- ▶ Indoor use
- ▶ 100 Users
- ▶ 1 Relays



SK-1311-SQ

Illuminated Indoor Keypad

- ▶ Backlit Keys
- ▶ 120 Users
- ▶ 2 Relays



Proximity Cards or Tags

(Sold in packs of 10)



PR-K1S1-A

PR-K1K1-AQ

SECO-LARM®

16842 Millikan Avenue
Irvine, CA 92606

Tel: 1-949-261-2999
1-800-662-0800
Fax: 1-949-261-7326

Web: www.seco-larm.com
Email: info@seco-larm.com

Copyright © 2010
SECO-LARM U.S.A., Inc.
All rights reserved