

This Package Includes:

- | | |
|--------------------------------------|-----------------------------|
| 1- 4 PIN power connector | 5- M5 x 12 mm screws |
| 1- 3 PIN door status connector | 2- #10 x 1 1/4" wood screws |
| 1- ESP1B, ESP2B and ESP4B faceplates | 2- #10-32 x 1/2" screws |
| 4- Wire nuts | 2- Mounting brackets |
| | 2- Spacers |

1. Description

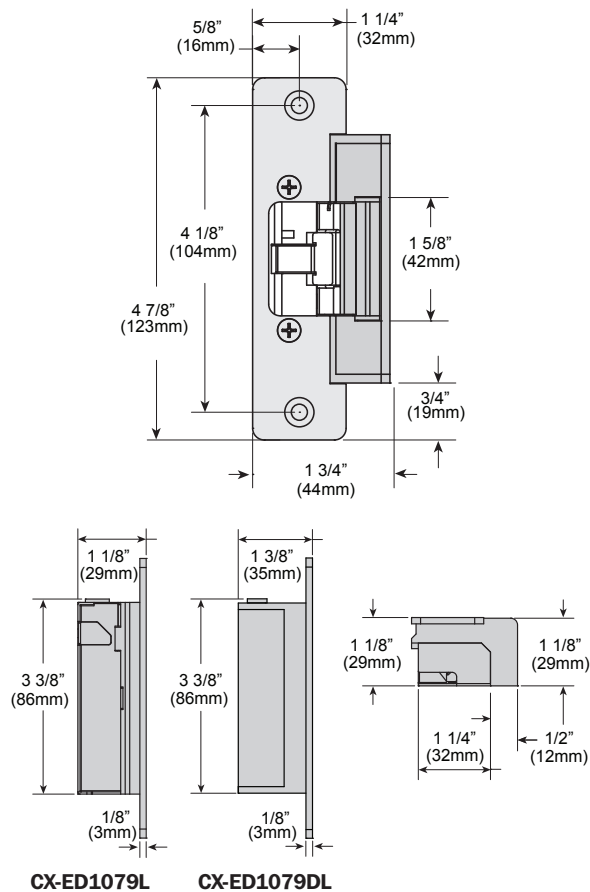
Camden CX-ED1079L/DL grade 1 ANSI strikes for cylindrical locksets offer the very best strike quality and performance, with three stainless steel faceplates provided. The 'Universal' strike design delivers unparalleled application flexibility, with field selectable voltage, fail safe/fail secure operation and mechanical adjustment of the strike body.

2. Specifications

Voltage	12/24V AC/DC
Current Draw	260mA@12V DC 150mA@24V DC
Static Strength	1,500 Lbs.
Dynamic Strength	70 Ft-Lbs.
Endurance	1,000,000 Cycles
Mode	Field Selectable Fail Safe/Fail Secure
Mech. Adjustment	Strike Body/Faceplate
Operation	AC-Buzz DC-Silent
Duty	Continuous
Dimensions (Body)	<p>CX-ED1079L: 3 3/8" H x 1 3/4" W x 1 1/8" D (86mm x 44mm x 29mm)</p> <p>CX-ED1079DL: 3 3/8" H x 1 3/4" W x 1 3/8" D (86mm x 44mm x 35mm)</p>



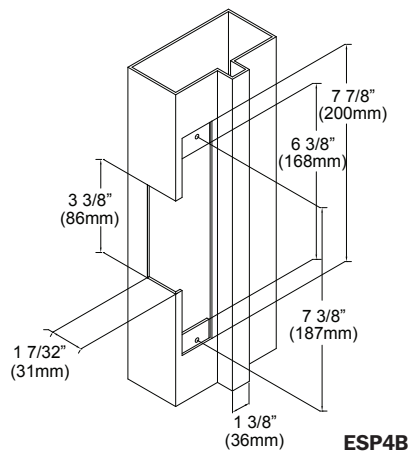
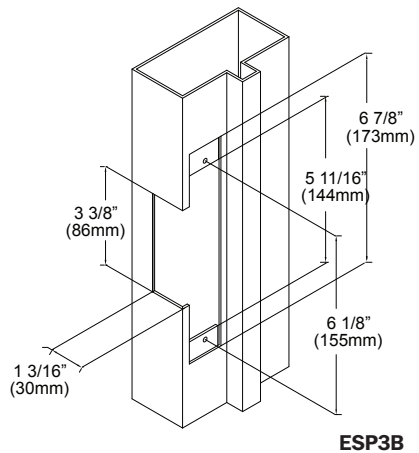
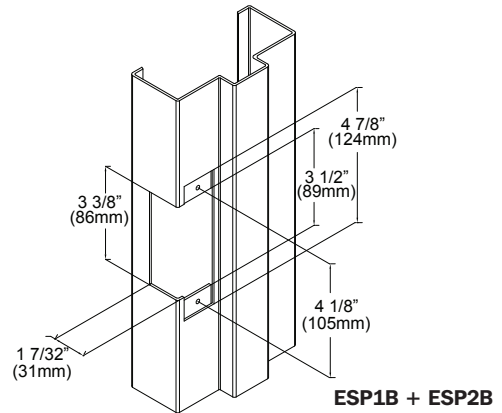
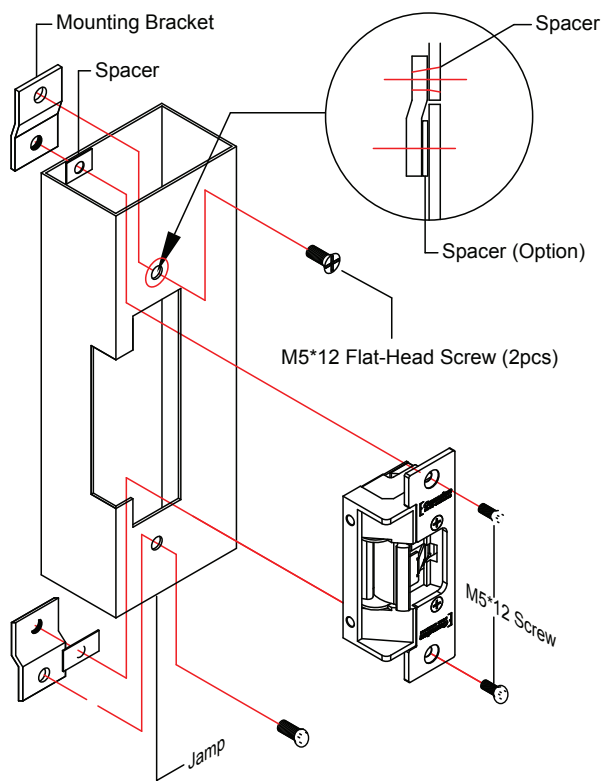
3. Dimensions



4. Installation

1. Prepare the door jamb as per the appropriate drawing.
2. Install mounting brackets to jamb using M5x12 screws and pressed metal nuts. Do not tighten.
3. Spacers are used to assure flush final assembly of faceplate into jamb. Add one or more spacers between jamb and mounting bracket when face plate extends beyond the jamb. When the faceplate sits inside the jamb, spacers must be added between the mounting

4. Connect wires coming from the low voltage side of the transformer to wires (black) from strike.
5. Install electric strike jamb by attaching with # 10-32 screws and lockwashers.
6. Tighten secure M5x12 screws holding mounting brackets to jamb.



5. Connections

POWER

12V AC/DC

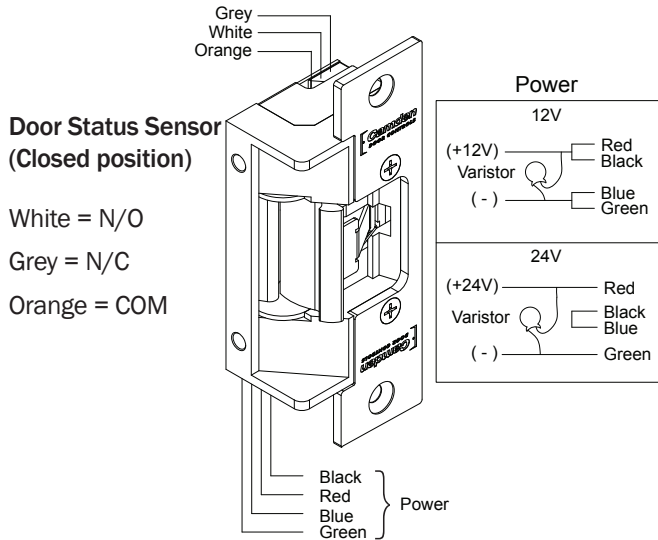
Red/Black: +12V
Blue/Green: Ground

24V AC/DC

Red: +24V
Black/Blue: -
Green: Ground

A varistor is provided to protect/prevent strike from spikes. Connect varistor between input wires.

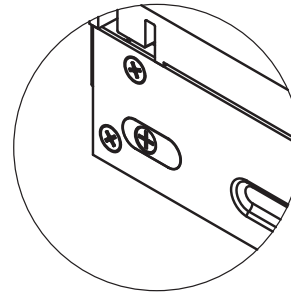
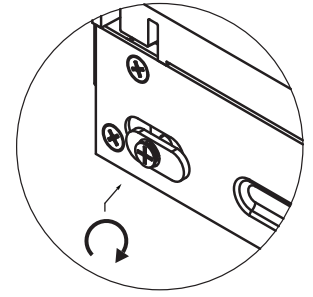
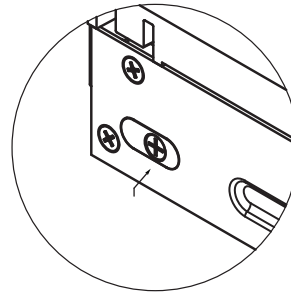
6. Installation



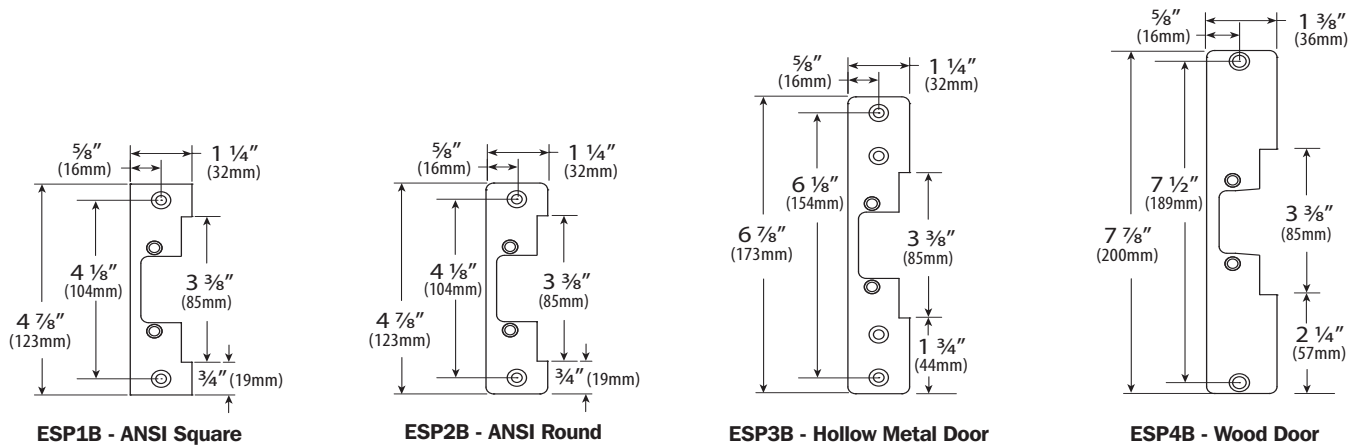
7. Operation

How to modify fail-safe to fail-secure or vice versa.

- (1). Loosen the screw as per the product diagram below.
- (2). Rotate the set plate 180° and slide the plate until it is properly seated.
- (3). Tighten the screw.



8. Faceplates



Push Buttons



Keypads



Strikes



Magnetic Locks



Key Switches



Relays & Timers



Access Control



5502 Timberlea Blvd.,
Mississauga, ON Canada
L4W 2T7

www.camdencontrols.com
Toll Free: 1.877.226.3369



Certified ISO 9001:2008

File: CX-ED1079L/DL Designer
Installation Instructions.indd R1
Revision: 25/02/2016
Part No.: 40-82B192