

HD-TVI Analog Bullet Cameras

720p and 1080p
Resolution Cameras



OVERVIEW

The TruVision® HD-TVI Bullet Camera by Interlogix delivers cost effective surveillance with high resolution HD-TVI technology and up to 1080p image quality over existing coaxial cable. The bullet camera model also offers a familiar form factor that features a pre-installed wall mount with cable management and is IP66 rated for outdoor installation.

With the ability to see in low-light conditions, the HD-TVI Bullet Camera provides color images by day and black-and-white images in night-time applications (in conjunction with IR illumination). With quick and easy installation, the HD-TVI Bullet Camera is ideal for new or existing projects and helps users stay within budget constraints without compromising security needs.



STANDARD FEATURES

Video

- 720p or 1080p HD resolution options
- 960H CVBS output support on select models
- Fixed, varifocal or motorized lens options
- HD-TVI technology for transmitting HD quality video over existing coax cable
- HD-TVI and 960H CVBS dual output on select models

Video Enhancements

- 720p models provide DWDR
- 1080p models provide True WDR (120 dB)
- True day/night functionality and infrared illuminators with Smart IR function for capturing images in various lighting scenarios







Installation and Environment

- IP66 Environmental rating
- OSD control on select models – TruVision coax and built-in menu button
- Cable protection/management
- Multiple mounting options

Warranty

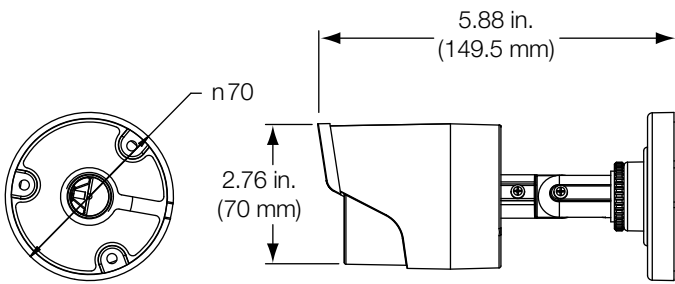
- 3-year warranty

Specifications

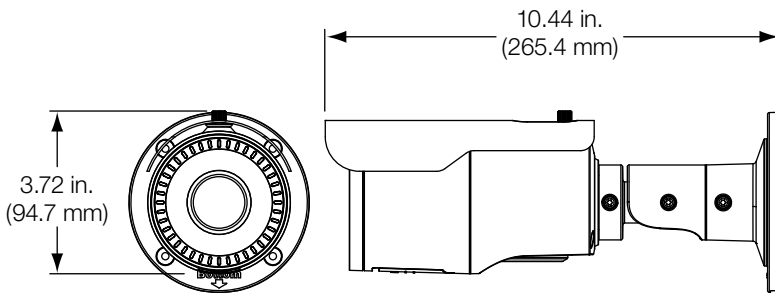
	720p HD-TVI			1080p HD-TVI			
	TVB-4401 TVB-2401	TVB-4402 TVB-2402	TVB-4403 TVB-2403	TVB-4404 TVB-2404	TVB-4405 TVB-2405	TVB-4406 TVB-2406	
							
Camera	Image Sensor	1/3" CMOS					
	Standard	HD-TVI					
	Signal System	NTSC/PAL					
	Resolution	720p Analog		1080p Analog			
	Effective Pixels	1280 (H) x 720 (V)		1920 (H) x 1080 (V)			
	Synchronization	Internal					
	Day/Night	IR cut filter with auto switch					
	Wide Dynamic Range	DWDR		120 dB WDR available on HD-TVI output only (if WDR is enabled, then the 960H output is disabled)			
	Electronic Shutter	NTSC: 1/30 s to 1/50,000 s; PAL: 1/25 s to 1/50,000 s					
	Minimum Illumination	Color: 0.01 lux @ f1.2 (AGC On); B/W: 0.001 lux @ f1.2 (AGC On); 0 lux with IR On					
	Digital S/N Ratio	52 dB (AGC Off)					
	Lens	3.6mm @ f2.2	2.8–12mm @ f1.4	3.6mm @ f2.2	2.8–12mm @ f1.4	2.8-12mm @ f1.4 motorized	5–50mm @ f2.0–f3.0 motorized zoom and auto focus
	IR Range	66 ft. (20m)	132 ft. (40m)	66 ft. (20m)	132 ft. (40m)	330 ft. (100m)	
On Screen Display (OSD)	N/A	OSD button; TruVision Coax OSD control on TVI; TruVision Coax OSD control on 960H	N/A	OSD button; TruVision Coax OSD control on TVI; TruVision Coax OSD control on 960H			
OSD Languages	N/A	English and Chinese	English, Japanese, Chinese, Korean, German, French, Italian, Spanish, Polish, Russian, Portuguese, Dutch, Turkish, Hebrew and Arabic			English and Chinese	
Video Output	HD-TVI	Dual output: TVI and 960H Composite (when WDR is enabled, 960H output will be disabled)					
Video Connector	1 - 75Ω / BNC @ TVI	1 - 75Ω / BNC @ HD-TVI; 1 - 75Ω / BNC @ 960H					
Electrical/Mechanical	Voltage Input	12VDC	12VDC/24VAC	12VDC	12VDC/24VAC		
	Current	300 mA	12VDC: 300 mA (Max.) 24VAC: 210 mA (Max.)	330 mA	12VDC: 375 mA (Max.) 24VAC: 270 mA (Max.)	12VDC: 1 A (Max.) 24VAC: 500 mA (Max.)	12VDC: 1.67 A (Max.) 24VAC: 830 mA (Max.)
	Power Consumption	12VDC: 3W (Max.)	12VDC: 4W (Max.) 24VAC: 6W (Max.)	12VDC: 4W (Max.)	12VDC: 5W (Max.) 24VAC: 6W (Max.)	12VDC: 12W (Max.) 24VAC: 12W (Max.)	20W (Max.)
	Dimensions	2.76 x 5.89 in. (70 x 149mm)	Without back box: 4.13 x 3.74 x 10.4 in. (105 x 94.7 x 265.4mm) With back box: 4.13 x 3.74 x 11.86 in. (105 x 94.7 x 301.4mm)	2.76 x 5.89 in. (70 x 149mm)	Without back box: 4.13 x 3.74 x 10.4 in. (105 x 94.7 x 265.4mm) With back box: 4.13 x 3.74 x 11.86 in. (105 x 94.7 x 301.4mm)		Without back box: 4.26 x 4.5 x 12.5 in. (108.3 x 114.1 x 317.5mm) With back box: 4.26 x 4.5 x 13.92 in. (108.3 x 114.1 x 353.5 mm)
	Weight	0.64 lbs. (291g)	Without back box: 1.89 lbs. (860g) With back box: 2.36 lbs. (1075g)	0.68 lbs. (291g)	Without back box: 1.89 lbs. (860g) With back box: 2.36 lbs. (1075g)	Without back box: 1.94 lbs. (880g) With back box: 2.41 lbs. (1095g)	Without back box: 3.5 lbs. (1.59kg) With back box: 3.98 lbs. (1.805kg)
Environmental	Operating Temperature (cold start)	12VDC: -22°F~140°F (-30°C~60°C); 24VAC: -40°F~140°F (-40°C~60°C) with heater on		12VDC: -22°F~140°F (-30°C~60°C)		12VDC: -22°F~140°F (-30°C~60°C) ; 24VAC: -40°F~140°F (-40°C~60°C) with heater on	
	Humidity (non-condensing)	< 90%					
	Environmental Rating	IP66					
	Vandal Rating	N/A					
Regulation	Compliance	FCC, CE, UL, RCM, REACH, RoHS, WEEE					

Dimensional Diagrams

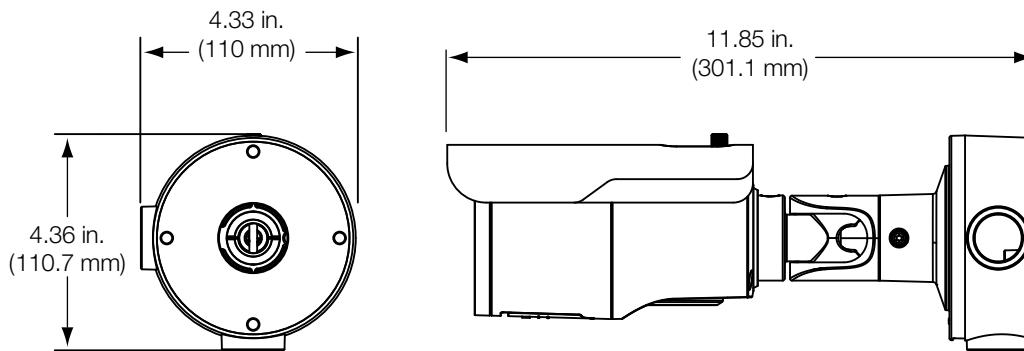
TVB-4401, TVB-2401, TVB-4403, TVB-2403 Fixed Bullet Camera



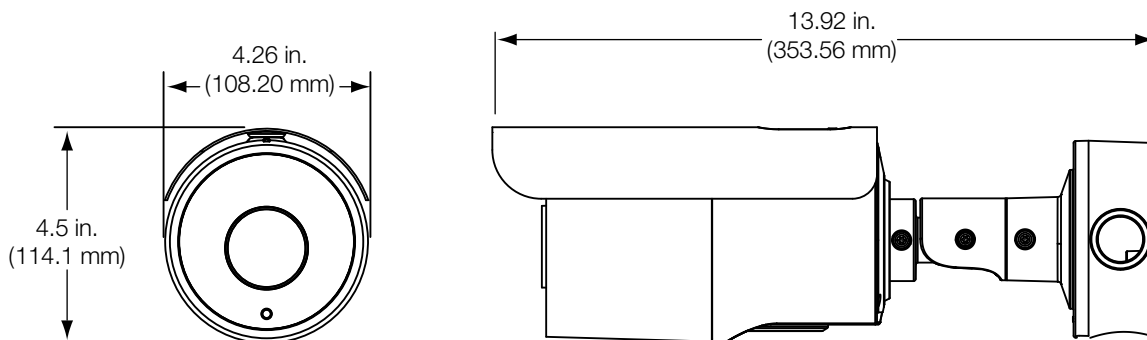
TVB-4402, TVB-2402, TVB-4404, TVB-2404 Varifocal Bullet Camera



TVB-4405, TVB-2405 2.8-12mm Motorized Varifocal Lens Bullet Camera



TVB-4406, TVB-2406 5-50mm Motorized Varifocal Lens Bullet Camera



HD-TVI Analog Bullet Cameras

720p and 1080p Resolution Cameras

Ordering Information

NTSC

TVB-4401	TruVision® HD-TVI Analog Bullet Camera, 720p, 3.6mm Lens, True D/N, DWDR, 20m IR, HD-TVI Output, 12VDC, IP66, NTSC
TVB-4402	TruVision HD-TVI Analog Bullet Camera, 720p, 2.8-12mm VF Lens, True D/N, DWDR, 40m IR, 960H Monitor or HD-TVI Selectable Output, Coax & Button OSD Control, 12VDC/24VAC, IP66, NTSC
TVB-4403	TruVision HD-TVI Analog Bullet Camera, 1080p, 3.6mm Lens, True D/N, WDR, 20m IR, 960H Monitor & HD-TVI Dual-output, Coax OSD Control, 12VDC, IP66, NTSC
TVB-4404	TruVision HD-TVI Analog Bullet Camera, 1080p, 2.8-12mm VF Lens, True D/N, WDR, 40m IR, 960H Monitor & HD-TVI Dual-output, Coax & Button OSD Control, 12VDC/24VAC, IP66, NTSC
TVB-4405	TruVision HD-TVI Analog Bullet Camera, 1080p, 2.8-12mm Motorized VF Lens, True D/N, WDR, 40m IR, 960H Monitor & HD-TVI Dual-output, Coax & Button OSD Control, 12VDC/24VAC, IP66, NTSC
TVB-4406	TruVision HD-TVI Analog Bullet Camera, 1080p, 5-50mm Motorized VF Lens, True D/N, WDR, 100m IR, 960H Monitor & HD-TVI Dual-output, Coax & Button OSD Control, 12VDC/24VAC, IP66, NTSC

PAL

TVB-2401	TruVision HD-TVI Analog Bullet Camera, 720p, 3.6mm Lens, True D/N, DWDR, 20m IR, HD-TVI Output, 12VDC, IP66, PAL
TVB-2402	TruVision HD-TVI Analog Bullet Camera, 720p, 2.8-12mm VF Lens, True D/N, DWDR, 40m IR, 960H Monitor or HD-TVI Selectable Output, Coax & Button OSD Control, 12VDC/24VAC, IP66, PAL
TVB-2403	TruVision HD-TVI Analog Bullet Camera, 1080p, 3.6mm Lens, True D/N, WDR, 20m IR, 960H Monitor & HD-TVI Dual-output, Coax OSD Control, 12VDC, IP66, PAL
TVB-2404	TruVision HD-TVI Analog Bullet Camera, 1080p, 2.8-12mm VF Lens, True D/N, WDR, 40m IR, 960H Monitor & HD-TVI Dual-output, Coax & Button OSD Control, 12VDC/24VAC, IP66, PAL
TVB-2405	TruVision HD-TVI Analog Bullet Camera, 1080p, 2.8-12mm Motorized VF Lens, True D/N, WDR, 40m IR, 960H Monitor & HD-TVI Dual-output, Coax & Button OSD Control, 12VDC/24VAC, IP66, PAL
TVB-2406	TruVision HD-TVI Analog Bullet Camera, 1080p, 5-50mm Motorized VF Lens, True D/N, WDR, 100m IR, 960H Monitor & HD-TVI Dual-output, Coax & Button OSD Control, 12VDC/24VAC, IP66, PAL

Accessories

TVB-BB1	TruVision Bullet Camera Back Box (use w/TVI and IP Fixed Lens Bullet)
TVB-2G-AD	Adapter for TruVision TVI and IP Fixed Lens Bullet Camera and LWB Bracket to 2 Gang Box



interlogix.com

Specifications subject to change without notice.

© 2016 United Technologies Corporation.
All rights reserved.

All trademarks are the property of their respective owners.
Interlogix is part of UTC Climate, Controls & Security,
a unit of United Technologies Corporation.

2016/06 (LI-1672)