

1080p IP Wi-Fi® Bullet IR Camera



OVERVIEW

The TruVision® IP Wi-Fi Bullet IR camera by Interlogix brings high-definition 1080p images to the commercial security segment at a low-cost. It is designed for use with TruVision Navigator and TruVision recorders.

The Wi-Fi spec is based on the Wi-Fi Standards of IEEE 802.11 b/g/n and operates in the 2.4 GHz range. Transmission rates of up to 150Mbps are supported, and wireless security is achieved via 64/128-bit WEP, WPA/WPA2, WPA-PSK/WPA2-PSK, and WPS wireless encryption standards.

The Wi-Fi Bullet IR camera also adheres to ONVIF Profile S open communications standards as well as support CGI command set for simple integration into standard IP systems.

STANDARD FEATURES

Video

- 1080p resolution
- H.264 compression technology with dual-streaming capability accommodates multiple settings
- Compatible with TruVision Navigator and TruVision recorders

Video Enhancement

- DWDR and/or real-time video streaming up to 1080p resolution to capture fine details
- True day/night functionality and infrared illuminator for capturing images in various lighting scenarios
- Up to 66 ft. (20m) IR range – with on/off settings

Recorded Clips

- Recorded clips stored onboard using a micro SD/SDXC card (up to 128GB)

Wireless (Wi-Fi)

- Supports IEEE 802.11b/g/n Wi-Fi standards
- Frequency range 2.4GHz
- Encryption security support for 64/128-bit WEP, WPA/WPA2, WPA-PSK/WPA2-PSK and WPS wireless encryption standards

Environment and Installation

- FCC, CE and UL
- IP66 outdoor rating


Warranty

- 3-year warranty

1080p IP Wi-Fi® Bullet IR Camera



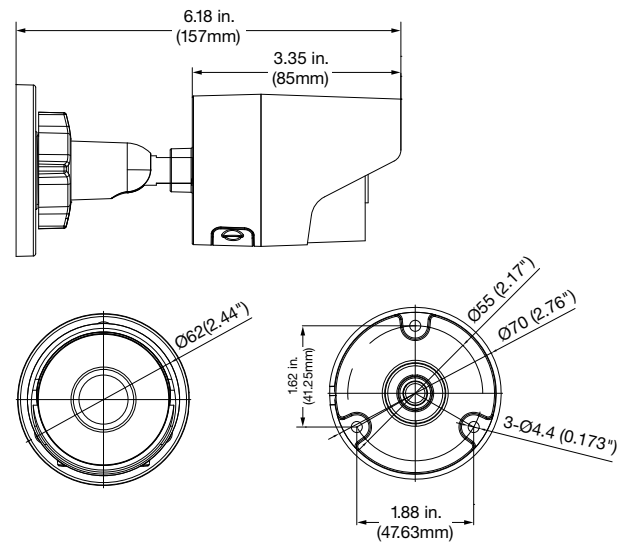
Specifications

| PART NO. | | TVB-8101 |
|------------------------------------|--|---|
| Description | |  |
| Housing | Color | Gray |
| Camera | Sensor | 1/2.8" |
| | Resolution | 1080p |
| | Day/Night | IR cut filter with auto-switch |
| | IP Compression | H.264 (Main profile) / MJPEG |
| | Maximum Resolution (@ fps) | 1920 x 1080 @ 30fps (60Hz), 1920 x 1080 @ 25 fps (50Hz) |
| | Maximum Real-time Resolution (@ fps) | 1920 x 1080 @ 30fps (60Hz), 1920 x 1080 @ 25 fps (50Hz) |
| | Multiple Streaming | Support dual streams, and sub-stream for mobile surveillance with H.264 and MJPEG with resolution up to 4CIF |
| | Video Bit Rate Mainstream | 32 Kbps to 8 Mbps |
| | Video Bit Rate Substream | 32 Kbps to 8 Mbps |
| | WDR | DWDR (85dB) |
| | Digital Noise Reduction | 3D-NR |
| | Sensitivity | 0.01 lux @ (f1.2, AGC On), 0 lux @ (IR On) |
| | S/N Ratio | 50 dB (AGC Off) |
| | Auto Exposure (shutter) | 60 Hz: 1/3s ~ 1/100,000s, 50 Hz: 1/3s ~ 1/100,000 |
| | Lens | 4.0mm @f2.0 |
| Focus | Fixed | |
| IR Range | Non-visible IR LED within 20 meters | |
| IR Wavelength | 850nm | |
| Interoperability | Standard | ONVIF® (Profile S), PSIA, CGI |
| Network | Network Protocols | TCP/IP, HTTP, DHCP, DNS, DDNS, RTP, RTSP, SMTP, NTP, UPnP, HTTPS, FTP, Qos, IPv6, Interoperability ONVIF (Profile G/S), PSIA (latest version), CGI, ISAPI |
| | Ethernet Port | RJ45 10/100Mbps Auto-negotiate |
| Wireless | Wi-Fi Standards | IEEE802.11b, 802.11g, 802.11n |
| | Frequency Range | 2.4 GHz ~ 2.4835 GHz (Ch. 1 ~ 11) |
| | Channel Bandwidth | 20/40MHz Support |
| | Protocols | 802.11b: CCK, QPSK, BPSK; 802.11g/n: OFDM |
| | Transmit Output Power | 11b: 17±1.5dBm @ 11Mbps; 11g: 15±1.5dBm @ 54Mbps; 11n: 14±1.5dBm |
| | Transfer Rates | 11b: -90dBm @ 11Mbps (Typical); 11g: -75dBm @ 54Mbps (Typical); 11n: -74dBm (Typical) |
| Wi-Fi Range | ~ 164 ft. (50m) in direct line-of-sight applications | |
| Security | 64/128-bit WEP, WPA/WPA2, WPA-PSK/WPA2-PSK, WPS | |
| Local Storage | Media | Micro SD/SDXC |
| | Capacity | Up to 128GB |
| Camera Alarms | Basic | Motion Detection, Tamper Proof, Privacy Mask |
| | Advanced | Cross Line, Intrusion Detection |
| Display | Display Mode | Flipped horizontally (up/down), vertically (right/left) or centered, Halfway view, ROI (Region of Interest) |
| | On Screen Display (OSD) | Text overlay |
| Electrical & Mechanical | Voltage | 12VDC, PoE (IEEE 802.3-af) |
| | Current | 490mA (Max.) |
| | Power Consumption | 5.8W |
| | Dimensions (W x H x D) | 2.8 x 6.1 x 2.4 in. (70 x 157 x 62mm) |
| | Weight | 1.1 lbs. (500g) |
| Envir. | Storage Temperature | -4° ~ 158°F (-20° ~ 70°C) |
| | Operating Temperature | -22° ~ 140°F (-30° ~ 60°C) |
| Reg. | Compliance | R&TTE, FCC, CE, UL, RCM, REACH, RoHS, WEEE |

Ordering Information

| | |
|-----------------|--|
| TVB-8101 | TruVision®, 1080p, NTSC/PAL, Wi-Fi, Outdoor Bullet, Gray, True D/N, H.264, PSIA/ONVIF/CGI, 20m IR, 4mm fixed Lens, PoE/12VDC |
|-----------------|--|

Dimensional Diagram



interlogix.com

Specifications subject to change without notice.

© 2017 United Technologies Corporation.

All rights reserved.

All trademarks are the property of their respective owners.

Interlogix is part of UTC Climate, Controls & Security,

a unit of United Technologies Corporation.

2017/07 (GSP-2243)