

HD-TVI Analog Cameras

720p and 1080p Resolution Cameras



OVERVIEW

The TruVision line includes a comprehensive family of HD-TVI infrared (IR) cameras for stand-alone or integrated installations, designed for up to 1080p image quality over existing coaxial cable.

Ideal for improving the video quality of existing analog surveillance system installations ranging from convenience stores to retail mall parking lots, the TruVision HD-TVI line has the right cameras for your new or existing project and can help you stay within budget constraints without compromising security needs.

These cameras can see in low-light conditions, providing color images by day and black-and-white images under IR operation in night-time applications. TruVision HD-TVI cameras are also available in fixed lens and varifocal lens models with true day/night capabilities.

Form factors include dome and traditional bullet cameras. Bullet models offer a familiar form factor that features a pre-installed wall mount with cable management. All models are IP66 rated for outdoor installation and select dome models are available with an IK10 vandal rated enclosure.

All TruVision HD-TVI cameras are designed to install quickly and easily, right out of the box, so you can be up and running in no time. For superior quality and performance, Interlogix delivers the level of products you'd expect from a leader in the video surveillance market.

STANDARD FEATURES

Video

- Bullet or dome form-factor
- 720p or 1080p HD resolution options
- Select models also support 960H resolution
- Fixed or varifocal lens options
- HD-TVI technology for transmitting HD quality video over existing coax cable
- Select models provide dual HD-TVI or 960H video output

Video Enhancements

- 720p models provide DWDR
- 1080p models provide True WDR (120dB)
- True day/night functionality and infrared illuminators with Smart IR function for capturing images in various lighting scenarios

Installation and Environment

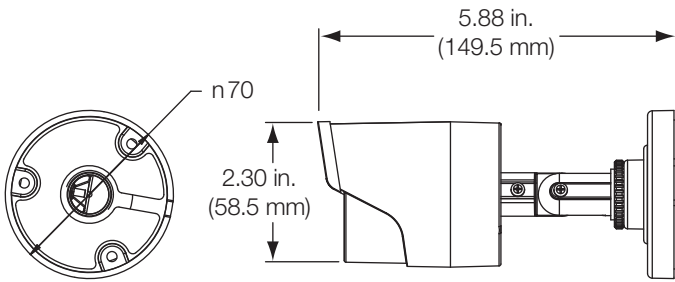
- IP66 Environmental rating
- Select dome models provide IK10 vandal rating
- Select models provide OSD control – TruVision coax and built-in menu button
- Cable protection/management
- Multiple mounting options

Warranty

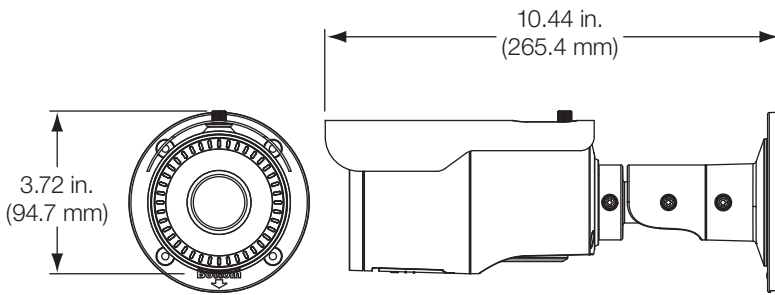
- 3-year warranty

Dimensional Diagrams

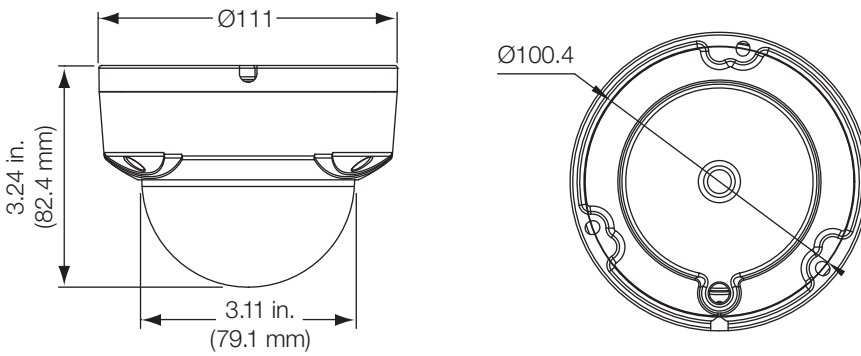
TVB-4401, TVB-2401, TVB-4403, TVB-2403 Fixed Lens Bullet



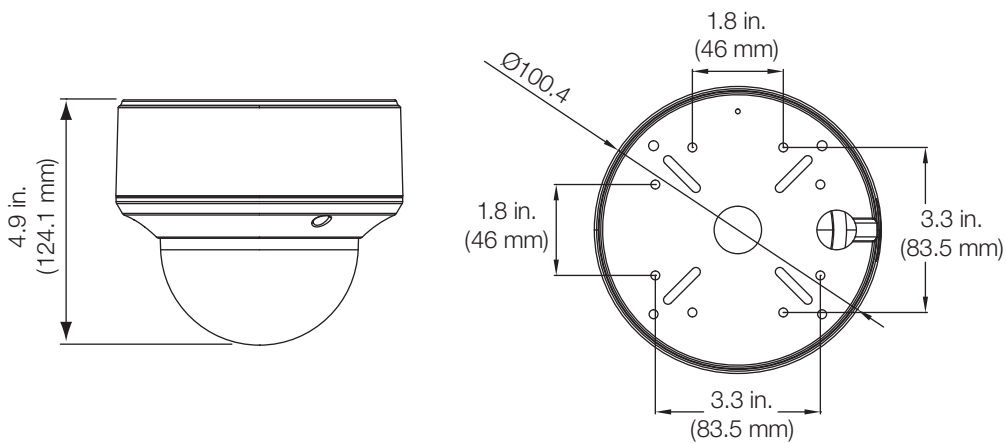
TVB-4402, TVB-2402, TVB-4404, TVB-2404 Varifocal Bullet











TVD-4401, TVD-2401, TVD-4403, TVD-2403 Fixed Lens Dome



TVD-4402, TVD-2402, TVD-4404, TVD-2404 Varifocal Dome



Specifications

		720p HD-TVI				1080p HD-TVI				
		TVB-4401 TVB-2401	TVB-4402 TVB-2402	TVD-4401 TVD-2401	TVD-4402 TVD-2402	TVB-4403 TVB-2403	TVB-4404 TVB-2404	TVD-4403 TVD-2403	TVD-4404 TVD-2404	
										
Camera	Image Sensor	1/3" CMOS								
	Standard	HD-TVI								
	Resolution	720p				1080p				
	Effective Pixels	1280 (H) * 720 (V)				1920 (H) * 1080 (V)				
	Synchronization	Internal								
	Day/Night	IR cut filter with auto switch								
	WDR	DWDR				120dB WDR available on HD-TVI output only (If WDR is enabled, then the 960H output is disabled)				
	S/N Ratio	52dB (AGC OFF)								
	Electronic Shutter	NTSC: 1/30 s to 1/30,000 s, PAL: 1/25 s to 1/25,000 s								
	Min. Illumination	0.01 lux @ (F1.2,AGC ON), 0.034 lux @ F2.2,AGC ON), 0 lux with IR	0.01 lux @ (F1.2,AGC ON), 0.014 lux @ (F1.4,AGC ON), 0 lux with IR	0.01 Lux @ (F1.2,AGC ON), 0.034 Lux @ F2.2,AGC ON), 0 Lux with IR	0.01 Lux @ (F1.2,AGC ON), 0.014 Lux @ (F1.4,AGC ON), 0 Lux with IR	0.01 lux @ (F1.2,AGC ON), 0.034 lux @ F2.2,AGC ON), 0 lux with IR	0.01 lux @ (F1.2,AGC ON), 0.014 lux @ (F1.4,AGC ON), 0 lux with IR	0.01 Lux @ (F1.2,AGC ON), 0.034 Lux @ F2.2,AGC ON), 0 Lux with IR	0.01 Lux @ (F1.2,AGC ON), 0.034 Lux @ F2.2,AGC ON), 0 Lux with IR	0.01 Lux @ (F1.2,AGC ON), 0.014 Lux @ (F1.4,AGC ON), 0 Lux with IR
	IR Range	66 ft. (20m)	132 ft. (40m)	66 ft. (20m)	132 ft. (40m)	66 ft. (20m)	132 ft. (40m)	66 ft. (20m)	132 ft. (40m)	
	Lens	3.6mm @ f2.2	2.8~12mm @ f1.4	2.8mm @ f2.2	2.8~12mm @ f1.4	3.6mm @ f2.2	2.8~12mm @ f1.4	2.8mm @ f2.2	2.8~12mm @ f1.4	
On Screen Display (OSD)	N/A	OSD button TruVision Coax OSD control on TVI TruVision Coax OSD control on 960H	N/A	OSD button TruVision Coax OSD control on TVI TruVision Coax OSD control on 960H	TruVision Coax OSD control on TVI TruVision Coax OSD control on 960H	OSD button TruVision Coax OSD control on TVI TruVision Coax OSD control on 960H	TruVision Coax OSD control on TVI TruVision Coax OSD control on 960H	TruVision Coax OSD control on TVI TruVision Coax OSD control on 960H	OSD button TruVision Coax OSD control on TVI TruVision Coax OSD control on 960H	
OSD Language	N/A	English and Chinese	N/A	English and Chinese	English, Japanese, Chinese, Korean, German, French, Italian, Spanish, Polish, Russian, Portuguese, Dutch, Turkish, Hebrew and Arabic					
Video Output	HD-TVI	960H Monitor or HD-TVI	HD-TVI	960H Monitor or HD-TVI	960H Monitor and HD-TVI					
Video Connector	1 * 75Ω / BNC @ TVI	1 * 75Ω / BNC @ HD-TVI 1 * 75Ω / BNC @ 960H	1 * 75Ω / BNC @ HD-TVI	1 * 75Ω / BNC @ HD-TVI 1 * 75Ω / BNC @ 960H						
Mechanical/Environmental	Voltage	12VDC	12VDC/24VAC	12VDC	12VDC/24VAC	12VDC	12VDC/24VAC	12VDC	12VDC/24VAC	
	Current	300 mA	12VDC: 300 mA (Max.) 24VAC: 210 mA (Max.)	300 mA	12VDC: 300 mA (Max.) 24VAC: 210 mA (Max.)	330 mA	12VDC: 375 mA (Max.) 24VAC: 270 mA (Max.)	300 mA	12VDC: 375 mA (Max.) 24VAC: 270 mA (Max.)	
	Power Consumption	3W (Max.)	12VDC: 4W (Max.) 24VAC: 6W (Max.)	3.5W (Max.)	12VDC: 3.5W (Max.) 24VAC: 5W (Max.)	4W (Max.)	12VDC: 5W (Max.) 24VAC: 6W (Max.)	4W (Max.)	12VDC: 4.5W (Max.) 24VAC: 6.5W (Max.)	
	Dimensions	2.76 x 5.89 in. (70 x 149.5mm)	Without back box: 4.13 x 3.74 x 10.4 in. (105 x 94.7 x 265.4mm) With back box: 4.13 x 3.74 x 11.86 in. (105 x 94.7 x 301.4mm)	4.4 x 3.2 in. (111 x 82 mm)	5.72 x 4.89 in. (145.3 x 124.2 mm)	2.76 x 5.89 in. (70 x 149.5mm)	Without back box: 4.13 x 3.74 x 10.4 in. (105 x 94.7 x 265.4mm) With back box: 4.13 x 3.74 x 11.86 in. (105 x 94.7 x 301.4mm)	4.4 x 3.2 in. (111 x 82 mm)	5.72 x 4.89 in. (145.3 x 124.2 mm)	
	Weight	0.64 lbs. (291g)	Without back box: 1.89 lbs. (860g) With back box: 2.36 lbs. (1075g)	0.761 lbs. (345g)	Without back box: 1.41 lbs. (641g) With back box: 2.05 lbs. (932g)	0.68 lbs. (309g)	Without back box: 1.89 lbs. (860g) With back box: 2.36 lbs. (1075g)	0.761 lbs. (345g)	Without back box: 1.41 lbs. (641g) With back box: 2.05 lbs. (932g)	
	Operating Temperature (cold start)	-22°F~-140°F (-30°C~ 60°C)								
Environmental	Humidity (non-condensing)	< 90%								
	Environmental Rating	IP66								
	Vandal Rating	N/A				IK10		N/A		IK10
Regulation	Compliance	FCC, CE, UL, C-Tick, REACH, RoHS, WEEE								

HD-TVI Analog Cameras

720p and 1080p Resolution Cameras

Ordering Information

NTSC

TVB-4401	TruVision® HD-TVI Analog Bullet Camera, 720p, 3.6mm Lens, True D/N, DWDR, 20m IR, HD-TVI Output, 12VDC, IP66, NTSC
TVB-4402	TruVision HD-TVI Analog Bullet Camera, 720p, 2.8~12mm VF Lens, True D/N, DWDR, 40m IR, 960H Monitor or HD-TVI Selectable Output, Coax & Button OSD Control, 12VDC/24VAC, IP66, NTSC
TVB-4403	TruVision HD-TVI Analog Bullet Camera, 1080p, 3.6mm Lens, True D/N, WDR, 20m IR, 960H Monitor & HD-TVI Dual-output, Coax OSD Control, 12VDC, IP66, NTSC
TVB-4404	TruVision HD-TVI Analog Bullet Camera, 1080p, 2.8~12mm VF Lens, True D/N, WDR, 40m IR, 960H Monitor & HD-TVI Dual-output, Coax & Button OSD Control, 12VDC/24VAC, IP66, NTSC
TVD-4401	TruVision HD-TVI Analog Dome Camera, 720p, 2.8mm Lens, True D/N, DWDR, 20m IR, HD-TVI Output, 12VDC, IP66, Plastic, NTSC
TVD-4402	TruVision HD-TVI Analog Dome Camera, 720p, 2.8~12mm VF Lens, True D/N, DWDR, 40m IR, 960H Monitor or HD-TVI Selectable Output, Coax & Button OSD Control, 12VDC/24VAC, IP66, IK10, NTSC
TVD-4403	TruVision HD-TVI Analog Dome Camera, 1080p, 2.8mm Lens, True D/N, WDR, 20m IR, 960H Monitor & HD-TVI Dual-output, Coax OSD Control, 12VDC, IP66, Plastic, NTSC
TVD-4404	TruVision HD-TVI Analog Dome Camera, 1080p, 2.8~12mm VF Lens, True D/N, WDR, 40m IR, 960H Monitor & HD-TVI Dual-output, Coax & Button OSD Control, 12VDC/24VAC, IP66, IK10, NTSC

PAL

TVB-2401	TruVision HD-TVI Analog Bullet Camera, 720p, 3.6mm Lens, True D/N, DWDR, 20m IR, HD-TVI Output, 12VDC, IP66, PAL
TVB-2402	TruVision HD-TVI Analog Bullet Camera, 720p, 2.8~12mm VF Lens, True D/N, DWDR, 40m IR, 960H Monitor or HD-TVI Selectable Output, Coax & Button OSD Control, 12VDC/24VAC, IP66, PAL
TVB-2403	TruVision HD-TVI Analog Bullet Camera, 1080p, 3.6mm Lens, True D/N, WDR, 20m IR, 960H Monitor & HD-TVI Dual-output, Coax OSD Control, 12VDC, IP66, PAL
TVB-2404	TruVision HD-TVI Analog Bullet Camera, 1080p, 2.8~12mm VF Lens, True D/N, WDR, 40m IR, 960H Monitor & HD-TVI Dual-output, Coax & Button OSD Control, 12VDC/24VAC, IP66, PAL
TVD-2401	TruVision HD-TVI Analog Dome Camera, 720p, 2.8mm Lens, True D/N, DWDR, 20m IR, HD-TVI Output, 12VDC, IP66, Plastic, PAL
TVD-2402	TruVision HD-TVI Analog Dome Camera, 720p, 2.8~12mm VF Lens, True D/N, DWDR, 40m IR, 960H Monitor or HD-TVI Selectable Output, Coax & Button OSD Control, 12VDC/24VAC, IP66, IK10, PAL
TVD-2403	TruVision HD-TVI Analog Dome Camera, 1080p, 2.8mm Lens, True D/N, WDR, 20m IR, 960H Monitor & HD-TVI Dual-output, Coax OSD Control, 12VDC, IP66, Plastic, PAL
TVD-2404	TruVision HD-TVI Analog Dome Camera, 1080p, 2.8~12mm VF Lens, True D/N, WDR, 40m IR, 960H Monitor & HD-TVI Dual-output, Coax & Button OSD Control, 12VDC/24VAC, IP66, IK10, PAL

Accessory

TVS-C200	TruVision Coax OSD Controller for TruVision Series 2 and HD-TVI Cameras
-----------------	---

Analog part number schema

TV	B	-	4	4	01
Device Type B=Bullet C=Camera D=Dome P=w W=Wedge T=Turret	Format 1=IP PAL 2=Analog PAL 3=IP NTSC 4=Analog NTSC		Series 1=First 2=Second 3=Third 4=Fourth		Sequence/ Camera Specifics



interlogix.com

Specifications subject to change without notice.

© 2015 United Technologies Corporation.
All rights reserved.

All trademarks are the property of their respective owners.
Interlogix is part of UTC Building & Industrial Systems,
a unit of United Technologies Corporation.

504-3921 2015/04 (81487)