

# CM-RQE70A

## PIR 'REQUEST TO EXIT' DETECTOR

### INSTALLATION INSTRUCTIONS



#### THIS PACKAGE INCLUDES

- (2) #6 x 3/4" Screws
- (2) 3/16" Wall Plugs
- (2) MOV's

## 1. GENERAL DESCRIPTION

Camden CM-RQE70A Request-to-Exit Sensor is a passive infrared (PIR) detector designed for interior use. This device is UL listed as an access control device under UL 294 Standard and is listed for Class I for UL Canada under ULC-S319 when it is connected to a UL approved access control system.

## 2. FEATURES

- Compact size, designed to mount on door frames
- On-board programming buttons. No dip switches
- (4) factory default operating modes, with the ability to customize mode attributes
- Makes installation easy and fast
- Selectable Fail Safe/Fail Secure
- (2) Form 'C' contacts
- Momentary and latching relay modes
- Secondary activation device input
- Card/keypad input
- Door position switch input
- Request to exit input
- Built-in sounder (adjustable)
- Tamper switch

## 3. OPERATION

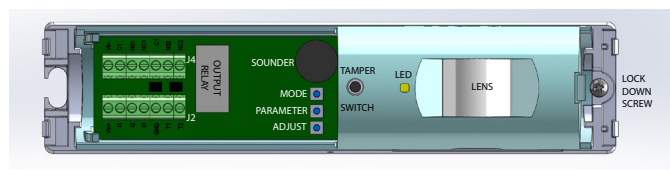


FIGURE 1 - COMPONENT LOCATIONS

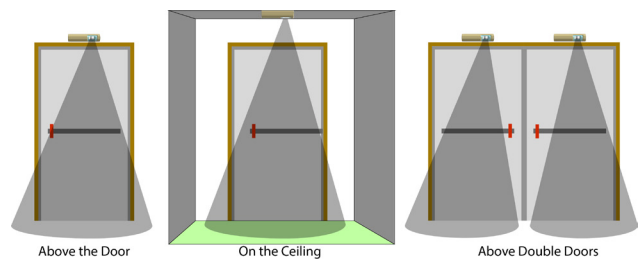


FIGURE 1 - MOUNTING LOCATIONS

### Self-Test

When power is first applied to the CM-RQE70A, the sensor will beep once, then the unit performs a self-test to ensure its major functions are within acceptable operating parameters. The self-test checks the input voltage, switch operation and sensor function. If the sensor passes all tests, there is a single beep and normal operation begins. If the sensor fails any of the tests, the unit will provide a series of audible beeps indicating the failure. This is take approximately 30 seconds.

### Post-Test Failure Beeps

If the sensor fails a test, the unit will perform one or more short beeps, followed by a long beep. This series of beeps is repeated continuously.

| # of Short Beeps | Description   |
|------------------|---|
| 1                | The IR sensor did not settle to an acceptable level during the test.                        |
| 2                | One of the 3 buttons, Mode, Parameter or Select is detected as being pressed.               |
| 3                | The Source Voltage to the CM-RQE70A is outside of the range of 12 - 24V                     |
| 4                | The IR sensor is not changing over a large enough range of values to reach its settle point |

### Fail Safe vs Fail Secure: Field Selectable

These terms are used to describe the normal operating state of the output relays. In Fail Safe Mode, the relays will be normally energized. The relays will de-energize when a person is in the field of view (normal operation) or when the power is removed due to an outage or other external reasons. In Fail Secure Mode, the relays remain de-energized normally. The relays will energize when a person is in the field of view (normal operation). The relays remain de-energized during a power outage, therefore, keeping the controlled device secure.

# CM-RQE70A PIR 'REQUEST TO EXIT' DETECTOR

## INSTALLATION INSTRUCTIONS

### Tamper Switch

Dry contact outputs N/C are provided for interface to an alarm or access control systems. The Tamper Switch is connected to a spring that compresses and closes the switch when the housing cover is installed. Removing the cover will open the switch contacts providing a change in state to the monitoring system.

### Indicator Lights: LED's

A Red & Green LED indicates secure vs unsecured status of the REX. The red LED is normally lit to indicate the door is secure. When a person walks within the detectable range of the sensor, the green LED will light and the red will be off.

### Access Control Input

**Input: Dry N/O** A dry contact closure on this input allows a card reader or keypad on the secure side of the door to activate the REX sensor allowing access through the secured door.

### Sounder Control

**Input: Dry N/O** A dry contact closure from an external device will hold this sounder on until it is released. The sounder will not affect the operation of the relays or relay timers.

### Sequential Logic Input

**Input: Dry** This mode allows a secondary detection device to be connected to the REX sensor. The REX sensor is active only while this input is opened or for 10 seconds after it has closed. For example, when the secondary activation device is activated, the REX sensor functions normally. When a person is in the field of view, the sensor is activated and the door is released. If the secondary activation device is deactivated, the REX Sensor will continue to be activated if a person is in the field of view for an additional 10 seconds.

### Door Monitor Contacts

**Input: Dry**

### Operating Functions

#### Function 1: Latched

When the REX sensor is activated, the relay will remain active as long as the sensor is activated. Once the sensor is deactivated, the relay will remain on for the duration of the Relay On Time. If the door is opened, the Relay On Time is reduced to 2 seconds.

#### Function 2: Door Prop Open Alarm

The door contact input is used to monitor the status of the door. If the door is held open during the last 10 seconds of the timer relay set time, the sounder will annunciate until the door is closed again. If the door is opened without the REX being activated the sounder will annunciate until the door is closed or someone has moved into the REX Sensor's field of view.

#### Function 3: Unauthorized Access Mode

In this mode, when the REX sensor is activated but the door is not opened, the relay returns to a secured state in 10 seconds. If the REX sensor is activated and the door opens, then closes, the relay returns to secured state in 2 seconds.

#### Function 4: Timed

When the REX sensor is activated, the relay will remain active for the duration of the Relay On Time. Once the Relay On Time has expired, the relay drops out. If motion continues, the relay will activate for another full cycle. If the door is opened, the Relay On Time is reduced to 2 seconds.

### External Disable/Enable

#### Input: Dry

In this mode, the REX is enabled or disabled by an external device, such as an access control system or security alarm panel. While this input is held open, the REX sensor will function normally. When this input is closed, the REX sensor operates the same as in Sequential Logic Input Mode.

### Rex Sensor Default Modes

In an effort to make installation easier, we have defined different installation modes. These modes will cover 90+% of the applications. For the other 10%, there will be a Custom Mode where all settable functions can be adjusted.

#### Mode 1: Normal Latched REX Sensor

The most common mode, the sensor, when activated will enable the output relay for the duration of the Relay On Time (30 seconds). If a door contact is connected to Input #1, when the door is sensed to be opened, then closed, the Relay On Time is reduced to 2 seconds.

**Relay On Time:** 30s (If the door is opened and closed, the timer is reduced to 2s)

**Fail Mode:** Fail Safe

**Operating Function:** Latched

**PIR Sensitivity:** 4

**Sound Vol:** 3

**Input #1:** Door Contact

**Input #2:** Press to Exit

**Input #3:** Sounder Input

#### Mode 2: Door Prop Alarm

The sensor monitors the status of the door. When activated, the sensor enables the output relay for 30 seconds. If the door is held open during the last 10 seconds of the Relay On Time, the piezo will sound until the door is closed. This mode requires a Door Contact to be connected to Input #1.

**Relay On Time:** 30s (If the door is opened and closed, the timer is reduced to 2s) If the door is held open during the last 10 seconds of the relay on time, the piezo will sound until the door is closed.

**Fail Mode:** Fail Safe

**Operating Function:** Door Prop Open Alarm

**PIR Sensitivity:** 4

**Sound Vol:** 3

**Input #1:** Door Contact

**Input #2:** Press to Exit

**Input #3:** Sounder Input

#### Mode 3: Access Control

The sensor will activate normally on motion. Input #3 is used to connect to an access control system. A contact closure on Input #3 will activate the sensor. A maintained closure on Input #3 will activate the sensor indefinitely.

**Relay On Time:** 0.5 sec (If the door is opened and closed, the timer is reduced to 2s)

**Fail Mode:** Fail Safe

**Operating Function:** Timed

**PIR Sensitivity:** 4

**Sound Vol:** 3

**Input #1:** Door Contact

**Input #2:** Press to Exit

**Input #3:** Card Keypad

# CM-RQE70A PIR 'REQUEST TO EXIT' DETECTOR

## INSTALLATION INSTRUCTIONS

### Mode 4: Secondary Activation Mode

The sensor requires activation of Input #3 before activating the output relay.

**Relay On Time:** 30s (If the door is opened and closed, the timer is reduced to 2s)

**Operating Function:** Latched, Door Prop Open Alarm or Unauthorized

**PIR Sensitivity:** 4

**Sound Vol:** 3

**Input #1:** Door Contact

**Input #2:** Press to Exit

**Input #3:** Sequential Input

In this mode, the sensor would behave as described above.

### Mode 5: Custom Settings

The sensor may be programmed as required by the installation.

**Relay On Time:** 0.5, 1, 2.5, 5, 15, 30 45, and 60 seconds (unauthorized mode is 10 sec)

**Fail Mode:** Fail Safe or Fail Secure

**Operating Function:** Latched, Door Prop Open, Unauthorized or Timed

**PIR Sensitivity:** 1 to 5

**Sound Vol:** 0 to 4

**Input #1:** Unused, Door Contact, Sounder Input, Sequential Input, External Disable, Press to Exit, Card Keypad

**Input #2:** Unused, Door Contact, Sounder Input, Sequential Input, External Disable, Press to Exit, Card Keypad

**Input #3:** Unused, Door Contact, Sounder Input, Sequential Input, External Disable, Press to Exit, Card Keypad

- Align the sensor back plate with the mounting holes and screw in the 2 x #6 screws, securely fastening the sensor back plate to the wall.
- Rotate the sensor PCB assembly into the back plate.

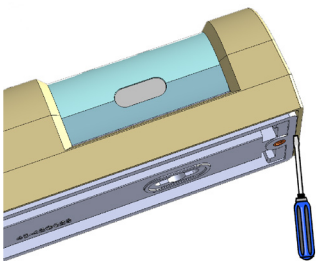
### Wiring the Sensor

The Camden CM-RQE70A uses a plug-in wiring harness for all electrical connections. The Pin out is described below.

| J2 | Description                      |                           |
|----|----------------------------------|---------------------------|
| 1  | Power +                          |                           |
| 2  | Input 1                          |                           |
| 3  | Input 2                          |                           |
| 4  | Input 3                          |                           |
| 5  | Ground                           |                           |
| 6  | Tamper Switch 1                  |                           |
| 7  | Tamper Switch 2                  |                           |
| J4 | Description                      |                           |
| 1  | Relay 1b – Normally Closed (NC2) | EMF spike protected relay |
| 2  | Relay 1b – Normally Open (NO2)   |                           |
| 3  | Relay 1b – Common (C2)           |                           |
| 4  | Relay 1a – Normally Closed (NC1) |                           |
| 5  | Relay 1a – Normally Open (NO1)   |                           |
| 6  | Relay 1a – Common (C1)           |                           |
| 7  | Power -                          |                           |

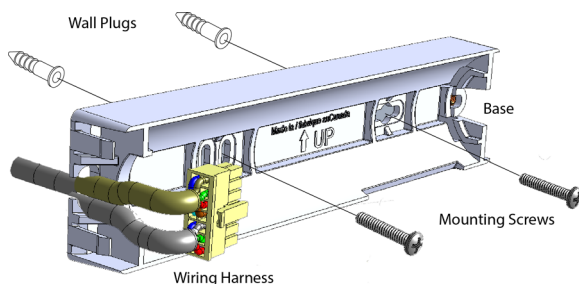
## 4. INSTALLATION

### Remove the sensor cover



- Insert a small flat screwdriver into the bottom end of the housing cover and gently pry the cover from the main assembly.
- Loosen the sensor vertical adjustment screw.
- Rotate the sensor PCB assembly until it is removed from the back plate.

### Install the Back Plate

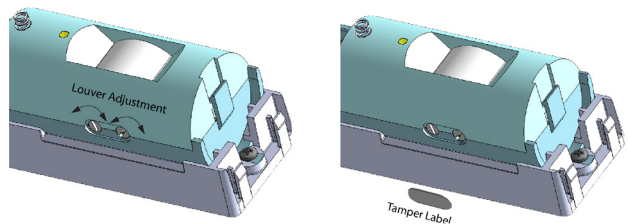


- Using a 3/16" drill, drill 2 mounting holes 3 1/4" apart at the desired height of installation.
- Insert the 2 x 3/16" wall plugs into the holes

### Adjusting the Sensor Detectable Range

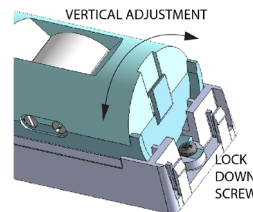
The sensor's detectable range can be adjusted vertically and horizontally.

#### Horizontal Adjustment



The horizontal adjustment of the sensor is accomplished by adjusting the 2 louvers inside the lens area. The louvers are adjusted using a small flat head screwdriver. On the bottom of the sensor housing there are 2 adjustment screws. Turning the screws adjusts the louvers left and right horizontally, therefore changing the beam direction and width. Once the horizontal adjustment is complete, place the tamper label (provided) over the set screws to avoid accidental adjustment.

#### Vertical Adjustment



The sensor beam is vertically adjusted by rotating the PCB assembly barrel within the mounting back plate. Once the vertical adjustment is complete, tighten the lock down screw to prevent the barrel from moving.

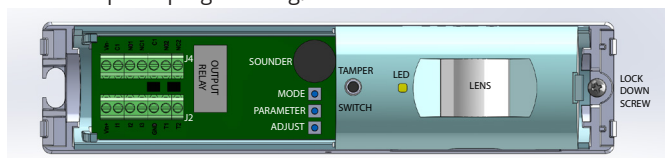
Once all adjustments are made, install the sensor cover and install the set screw provided.

# CM-RQE70A PIR 'REQUEST TO EXIT' DETECTOR

## INSTALLATION INSTRUCTIONS

### Programming Buttons

There are no DIP switches to set on this Rex Sensor. 3 buttons are used for all setup and programming.



#### The MODE Button (top):

The MODE button is used to select 1 of 4 pre-set modes or a fully configurable custom Mode. Pressing the MODE button for the first time will indicate which Mode the REX sensor is currently in. The REX sensor will BEEP and the LED will flash red the number of times equal to the MODE number. I.E. 1 Beep/Flash = Mode 1.

#### The Parameters Button (Middle)

This button selects the available parameters in each mode that can be customized. From within any Mode, press this button to cycle through the parameters.

| Mode | Beeps | Red LED Flashes | Description               |
|------|-------|-----------------|---------------------------|
| 1    | 1     | 1               | Latched Mode              |
| 2    | 2     | 2               | Door Prop Alarm Mode      |
| 3    | 3     | 3               | Access Control Mode       |
| 4    | 4     | 4               | Secondary Activation Mode |
| 5    | 5     | 5               | Custom Settings Mode      |

#### The Adjust Button (Bottom)

The adjust button is used to change the value of the Parameter. Once a Parameter is selected, use the Adjust button to cycle through the available options for each parameter as described in the below table.

| Parameter       | 1 beep  | 2 beeps              | 3 beeps             | 4 beeps      | 5 beeps       | 6 beeps          | 7 beeps          | 8 beeps          | LED                       |
|-----------------|---------|----------------------|---------------------|--------------|---------------|------------------|------------------|------------------|---------------------------|
| Relay On Time   | 0.5     | 1                    | 2.5                 | 5            | 15            | 30               | 45               | 60               | Yellow Solid              |
| Fail Mode       | Safe    | Secure               |                     |              |               |                  |                  |                  | Red/Yellow Flashing       |
| Operation Mode  | Latched | Door Prop Open Alarm | Unauthorized Access | Timed        |               |                  |                  |                  | Green/Yellow Flashing     |
| PIR Sensitivity | 1       | 2                    | 3                   | 4            | 5             |                  |                  |                  | Red/Green Flashing        |
| Sound Volume    | 0       | 1                    | 3                   | 3            | 4             |                  |                  |                  | Red/Green/Yellow Flashing |
| Input #1        | Unused  | Press to Exit        | Card/Keypad         | Door Contact | Sounder Input | Sequential Input | External Disable | External Disable | Red Flashing              |
| Input #2        | Unused  | Press to Exit        | Card/Keypad         | Door Contact | Sounder Input | Sequential Input | External Disable | External Disable | Green Flashing            |
| Input #3        | Unused  | Press to Exit        | Card/Keypad         | Door Contact | Sounder Input | Sequential Input | External Disable | External Disable | Yellow Flashing           |

### Factory Reset

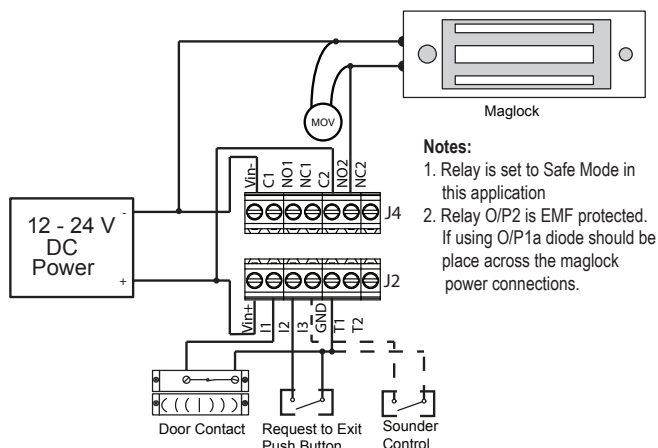
The Camden CM-RQE70A Request to Exit sensor can be reset to factory defaults by pressing and holding the MODE and Adjust buttons. The Sensor will start to beep. Continue holding the MODE and ADJUST buttons while the beeping gets progressively faster until it reaches a steady tone. When the tone stops, the REX sensor has been reset to factory defaults and the MODE and ADJUST buttons may be released.

### Regulatory Information

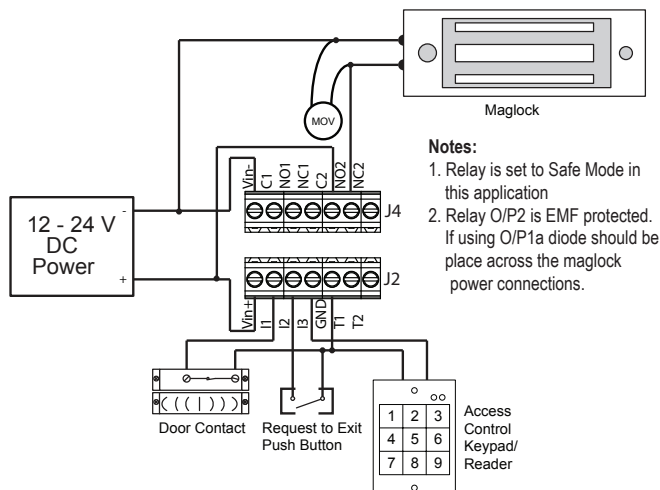
The unit shall be installed in accordance with National Electrical Code ANSI/NFPA 70 and part 1 of the Canadian Electrical Code CSA C22.1, Safety Standard for Electrical Installations and authorities having jurisdiction (AHJ's).

# CM-RQE70A PIR 'REQUEST TO EXIT' DETECTOR

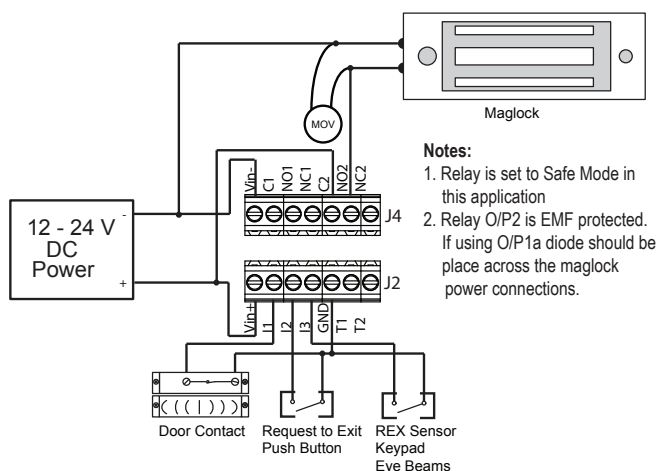
## INSTALLATION INSTRUCTIONS



**MODE 1&2 WIRING DIAGRAM**



**MODE 3 WIRING DIAGRAM**



**MODE 4 WIRING DIAGRAM**

| J2 | Description                      |                           |
|----|----------------------------------|---------------------------|
| 1  | Power +                          |                           |
| 2  | Input 1                          |                           |
| 3  | Input 2                          |                           |
| 4  | Input 3                          |                           |
| 5  | Ground                           |                           |
| 6  | Tamper Switch 1                  |                           |
| 7  | Tamper Switch 2                  |                           |
| J4 | Description                      |                           |
| 1  | Relay 1b - Normally Closed (NC2) | EMF Spike protected relay |
| 2  | Relay 1b - Normally Open (NO2)   |                           |
| 3  | Relay 1b - Common (C2)           |                           |
| 4  | Relay 1a - Normally Closed (NC1) |                           |
| 5  | Relay 1a - Normally Open (NO1)   |                           |
| 6  | Relay 1a - Common (C1)           |                           |
| 7  | Power -                          |                           |

## 5. SPECIFICATIONS

|                        |  |
|------------------------|--|
| <b>Voltage:</b>        | 12 /24V DC operation   |
| <b>Current Draw:</b>   | 50mA (max)   |
| <b>Relays:</b>         | (2) Form 'C' (DPDT)  |
| <b>Contact Rating:</b> | 3A @ 30VDC   |
| <b>Programming:</b>    | On-board push buttons and status LED   |
| <b>Modes:</b>          | - (4) Factory Default<br>- (1) Fully Custom<br>- Selectable Fail Safe/<br>Fail Secure                                    |
| <b>Coverage:</b>       | - Max. 10' W x 10' H<br>- Horizontal & vertical<br>adjustment (mechanical)<br>- Sensor sensitivity/range<br>(electronic) |
| <b>Time Delay:</b>     | Adjustable, 0.5, 1, 2.5,<br>5, 15, 30, 45 & 60<br>second   |
| <b>Sounder:</b>        | On/Off, with adjustable<br>volume  |
| <b>Piezo Buzzer:</b>   | 92db.@ 10cm.   |

|                                      |  |
|--------------------------------------|--|
| <b>Indicator:</b>                    | Activation LED                                     |
| <b>Card or Keypad Input:</b>         | (1) N/O  |
| <b>Door Position Switch Input:</b>   | (1) N/O  |
| <b>Request to Exit Input:</b>        | (1) N/O  |
| <b>Tamper Switch Contact Rating:</b> | 50mA @ 12VDC                                       |
| <b>Temp Operating Range:</b>         | 32 °F - 120 °F (0 - 50 °C)                         |
| <b>Humidity Range:</b>               | 0 - 93% non-condensing                             |
| <b>Dimensions:</b>                   | 1 3/4"H x 7" W x 1 3/4" D<br>(43mm x 176mm x 43mm) |
| <b>Weight:</b>                       | 0.25 lbs. (0.12kg.)                                |
| <b>Colors:</b>                       | White and black models                             |

|   |
|---|
| <b>UL 294 Access Control Performance Levels</b>   |
| 1) <b>Access Controls, Destructive Attack</b><br>Level I (No Attack)  |
| 2) <b>Line Security</b> - Level I (No Line Security)  |
| 3) <b>Endurance</b> - Level IV (100,000 cycles)   |
| 4) <b>Standby Power</b> - Level I (No Stand by Power)   |
| Power is to be supplied by a compatible UL294 Listed control unit, or by a UL294 Listed or UL603 Listed Class 2 low-voltage power limited power supply that is capable of 4 hours of standby power, as described in the installation guide. |
| The products shall not be installed in the fail-secure mode unless permitted by the local authority having jurisdiction and shall not interfere with the operation of Listed panic hardware.  |

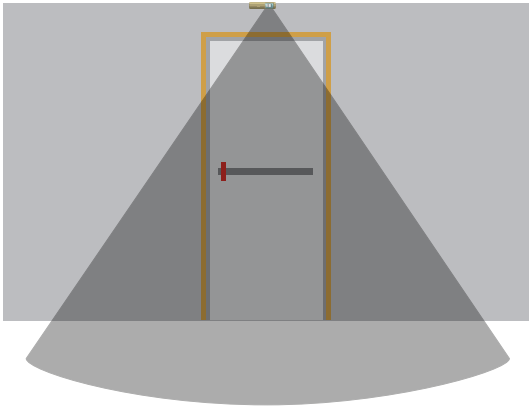
## 6. COVERAGE INFORMATION

The detection area changes depending on the mounting height and angle of the lens of the REX sensor. If the REX sensor is mounted on the wall above a door with the lens pointing straight, the detection areas against the wall are not detected and not shown in the illustrations. Mounting the REX sensor at higher heights, results

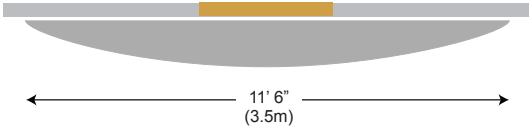
in a larger detection area typically. The illustrations show the REX sensor mounted at 7.5 (2.3m) Feet on a wall with the lens pointing straight down and at 8 Feet (2.4m) on a ceiling with the lens pointing straight down.

### 7'5" Ceiling - Above Single Door

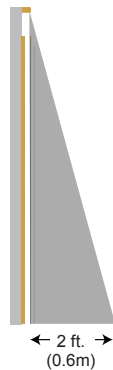
Front View



Bird's-Eye View

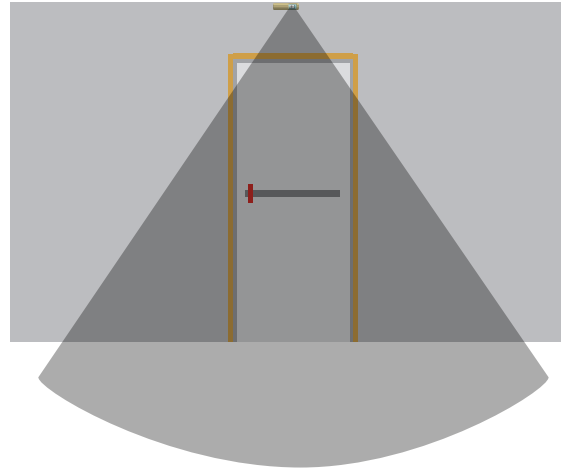


Side View

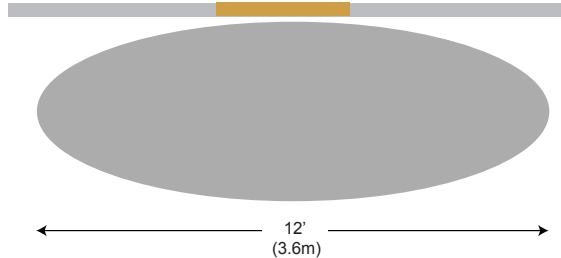


### 8' Ceiling - Over the Ceiling

Front View



Bird's-Eye View



Side View

