

IP PTZ Camera

2MPx Resolution with
25X or 36X Optical Zoom



OVERVIEW

The TruVision® 2MPx IP PTZ camera from Interlogix delivers the benefits of a PTZ solution while offering high definition image capture. This PTZ camera has advanced technology and can be installed in a wide range of applications and environmental conditions.

With features such as True Day/Night surveillance and Wide Dynamic Range (WDR) imaging, these cameras provide optimal image quality in a variety of indoor or outdoor environments.

The IP PTZ camera is available in a wall/pendant mount form factor. The camera is fully programmable, with up to 300 presets along with 8 patrol tours (32 presets per tour).

A 24-zone privacy mask feature allows these cameras to block out sensitive areas, such as fitting rooms or restricted areas. In addition, the variety of intelligence features adds substantial value and enhanced performance to any video system.



STANDARD FEATURES

Video

- 2MPx resolution
- H.265 / H.264 compression technology
- Triple streaming
- ONVIF® Profile (S) (G) / PSIA / GCGI

Video Enhancement

- Enhanced Super Low Light Performance
- Wide Dynamic Range (WDR)
- True day/night functionality
- IR Range up to 656 ft. (200m) on select models

PTZ

- 25X or 36X optical, 16X digital (depending on model)
- 360° endless rotation
- -15° to 90° or -20° to 90° tilt range (depending on model)
- Auto flip image
- Hi-PoE (60W) / 24VAC

Intelligence

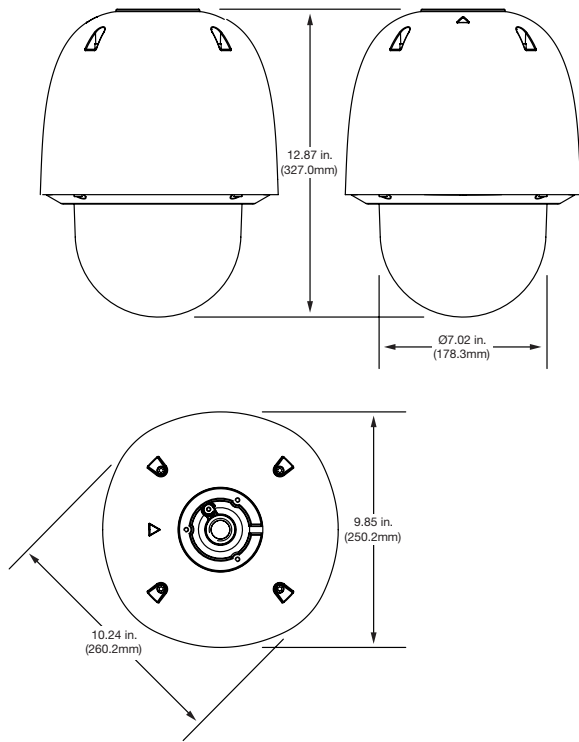
- Face detection, Intrusion detection, Cross line detection, Audio exception detection, Region entrance / exit detection, Unattended baggage detection, Object removal detection, Privacy mask (24 Zones), Intelligent tracking

Environmental and Warranty

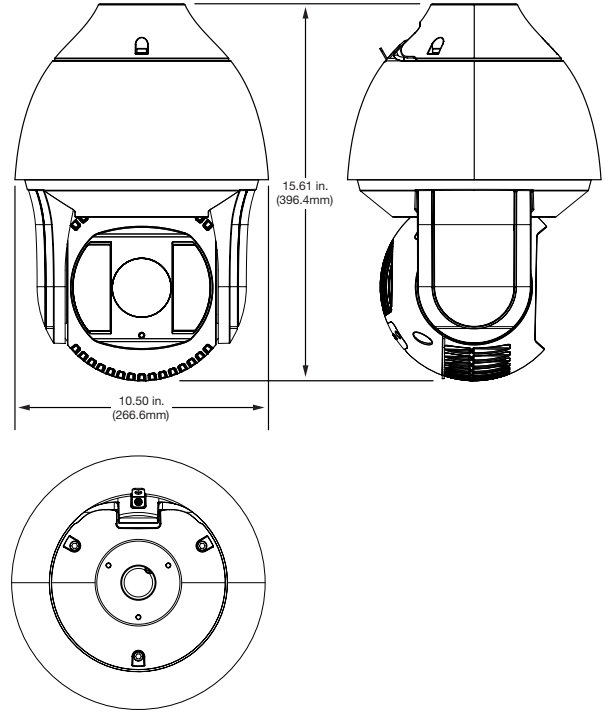
- IP66 or IP67 environmental rating (depending on model)
- IK10 vandal rating
- 3 year warranty

Dimensional Diagrams

TVP-5104 TruVision® IP PTZ, 25X Optical Zoom

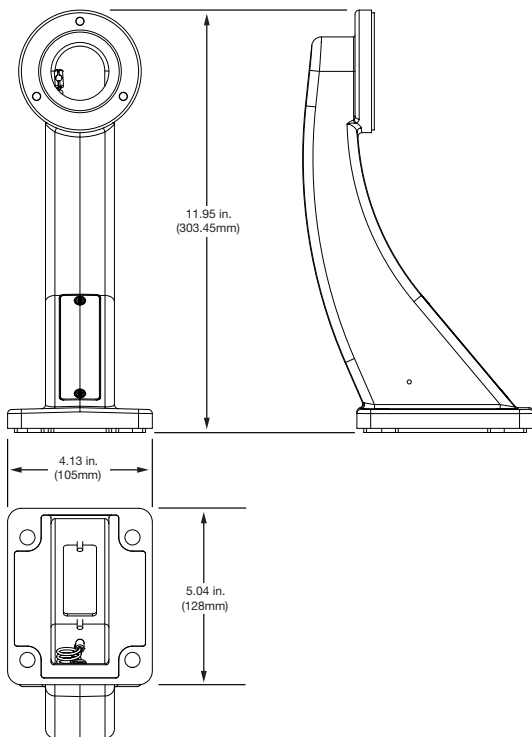


TVP-5105 TruVision® IP PTZ, 36X Optical Zoom

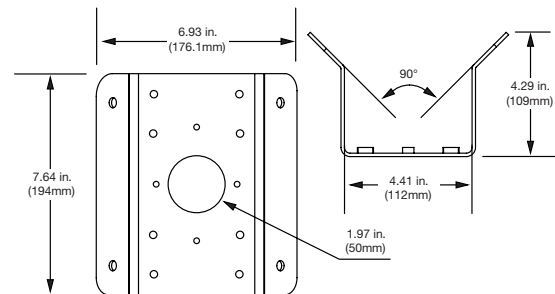


Accessories

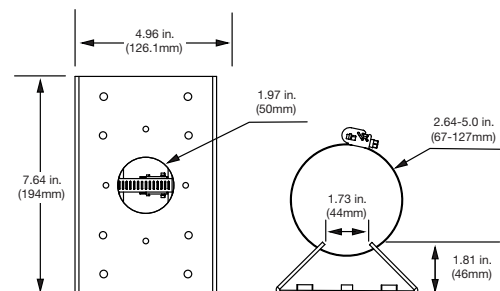
TVP-WMB TruVision PTZ Wall Mount





TVP-WM-CM TruVision PTZ Corner Mount Adapter



TVP-WM-PM TruVision PTZ Pole Mount Adapter



Specifications

PART NO.		TVP-5104	TVP-5105	
				
Camera	Sensor	1/1.9" Progressive Scan CMOS		
	Resolution	2MPx		
	Effective Pixels	1920 x 1080		
	Compression/Standard	H.265 / H.264 / MJPEG H.265 and H.264 encoding with Baseline/Main / High profile		
	Maximum Resolution (@ FPS)	1920 x 1080 (30fps / 25fps)		
	Maximum Real-Time Resolution	2MPx		
	Multiple Streaming	Triple Stream		
	Main Stream	50Hz: 25fps (1920 x 1080, 1280 x 960, 1208 x 720) 60Hz: 30fps (1920 x 1080, 1280 x 960, 1280 x 720)		
	Sub Stream	50Hz: 25fps (704 x 576, 352 x 288, 640 x 480) 60Hz: 30fps (704 x 480, 352 x 240, 640 x 480)		
	3rd Stream	50Hz: 25fps (1920 x 1080, 1280 x 960, 1280 x 720, 704 x 576, 352 x 288, 640 x 480) 60Hz: 30fps (1920 x 1080, 1280 x 960, 1280 x 720, 704 x 480, 352 x 240, 640 x 480)		
	Day/Night	True DN		
	Wide Dynamic Range	120 dB		
	Digital Noise Reduction	3DNR		
	Digital S/N Ratio	>52 dB		
	Electronic Shutter	50Hz: 1 to 1/30,000s; 60Hz: 1 to 1/30,000s		
	Minimum Illumination	Color: 0.002 lux @ f1.5, AGC On; B&W: 0.0002 lux		
	IR Range	NA	656 ft. (200m) Automatically adjusted depending on zoom ration	
	IR Wavelength	NA	850nm	
	Lens	5.7 to 142.5mm (f1.5 to f3.4)	5.7 to 205.2mm (f1.5 to f4.5)	
	Zoom Range	25X Optical (16X Digital)	36X Optical (16X Digital)	
Pan Range and Speed	Range: 360° endless; Manual Speed: 0.1° to 300°/sec; Preset Speed: 540°/sec	Range: 360° endless; Manual Speed: 0.1° to 210°/sec; Preset Speed: 280°/sec		
Tilt Range and Speed	Range: -15° to 90°; Manual Speed: 0.1° to 240°/sec; Preset Speed: 400°/sec	Range: -20° to 90°; Manual Speed: 0.1° to 150°/sec; Preset Speed: 250°/sec		
Image Flip	Auto Flip			
Video Output	1 - 75Ω, NTSC (or PAL), BNC			
Presets	300			
Patrol	8 patrols, up to 32 presets per patrol			
Privacy Mask	24 privacy masks programmable; optional multiple colors and mosaics			
Net-work	Network Protocols	HTTP, HTTPS, FTP, SMTP, UPnP, SNMP, DNS, DDNS, NTP, RTSP, RTP, TCP, UDP, IGMP, ICMP, DHCP, PPPoE		
	Ethernet/IP	802.1x, Qos, IPv4 / IPv6		
Local Storage	Media	Micro SD/SDHC/SDXC slot (card not included)		
	Capacity	Up to 128GB		
Alarms & Audio	Intelligence	Face detection, Intrusion detection, Line Crossing detection, Audio exception detection, Region entrance detection, Region exiting detection, Unattended baggage detection, Object removal detection, Intelligent tracking		
	I/O	7 inputs / 2 outputs		
	Audio	1 Mic in / Line in interface, line input: 2-2.4V(p-p); output impedance: 1KΩ, ±10% 1 Audio output interface, line level, impedance: 600Ω		
	Audio Compression	G.711ulaw / G.711alaw / G.726 / MP2L2 / G.722 / PCM		
Interoper-ability	Standard	ONVIF® (Profile S, Profile G), PSIA, CGI, ISAPI		
Electrical & Mechanical	Voltage Input	24VAC		
	PoE	Hi-PoE		
	Current	Max. 3A		
	Power Consumption	60W		
	Dimensions	10.24 x 12.87 in. (260.2 x 327.0mm)	10.5 x 15.61 in. (266.6 x 396.4mm)	
Weight	13.23 lbs. (6kg)	17.64 lbs. (8kg)		
Environ-mental	Operating Temperature	-40°F to 149°F (-40° to 65°C), Humidity 95% or less (non-condensing)		
	Environmental Rating	IP67	IP66	
	Vandal Rating	IK10		
Regulatory	Certification	FCC, CE, UL, RCM, REACH, RoHS, WEEE		

IP PTZ Camera

2MPx Resolution with 25X or 36X Optical Zoom

Ordering Information

TVP-5104	TruVision® 2MPx, IP PTZ, 25X Optical Zoom, H.265, H.264, Outdoor, Pendant/Wall Mount, Super Low Light, True D/N, WDR, Audio, Alarm, Micro SD/SDHC/SDXC Slot, Hi-PoE (Max. 60W)/24VAC, IP67, IK10
TVP-5105	TruVision 2MPx, IP PTZ, 36X Optical Zoom, H.265, H.264, Outdoor, Pendant/Wall Mount, Super Low Light, True D/N, WDR, 200m IR, Audio, Alarm, Micro SD/SDHC/SDXC Slot, Hi-PoE (Max. 60W)/24VAC, IP66, IK10

Accessories

TVP-WMB	TruVision PTZ Wall Mount
TVP-WM-CM	TruVision PTZ Corner Mount Adapter (use with TVP-WMB Wall Mount)
TVP-WM-PM	TruVision PTZ Pole Mount Adapter (use with TVP-WMB Wall Mount)



interlogix.com

Specifications subject to change without notice.

© 2018 United Technologies Corporation.

All rights reserved.

All trademarks are the property of their respective owners.

Interlogix is part of UTC Climate, Controls & Security,

a unit of United Technologies Corporation.

2018/06 (GSP-2718)