

1. INTRODUCTION

The Legrand Mounting Plate for DA24xx products, P/N AC1025, (see **Figure 1**) allows you to conveniently mount up to four DA24xx products in an On-Q style enclosure.

2. FEATURES

- The AC1025 Mounting Plate for DA24xx products supplies:
 - Four positions for mounting of DA24xx products in one of two orientations
 - Eight screws used for securing the DA24xx products to the mounting plate from the rear of the plate
 - Two plunger grommet assemblies for installing the plate in an On-Q style enclosure
- Designed to support the tab and plunger On-Q style enclosure mounting method

3. INSTALLATION

Refer to the example shown in **Figure 2** during installation.

- Use the provided screws to secure each DA24xx product to the mounting plate (two screws are used per DA24xx product. Products may be oriented to provide the best access to connectors on the products).
- Install the two plunger grommet assemblies into the plate on the end opposite the tabs.
- Without installing the plate, find the appropriate spot in the enclosure where all the power cord and Cat5/6 jumpers reach their associated products.
- Mount the AC1025 mounting plate into the enclosure by inserting the tabs on the left side of the plate into the slots in the enclosure and push the plate's pushpins into an appropriate hole in the enclosure to secure the mounting plate to the enclosure.
- Make the appropriate connections with the Cat5/6 jumpers.
- Connect the input power cable to each DA24xx product and plug the associated power supplies into the AC input receptacle.

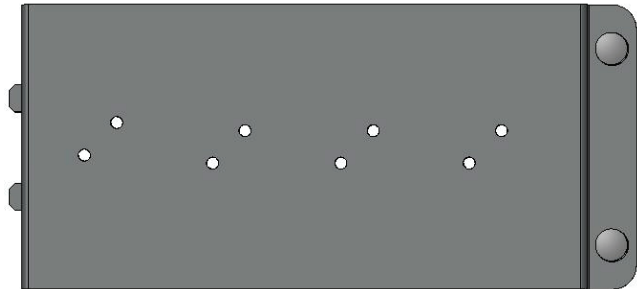


Figure 1

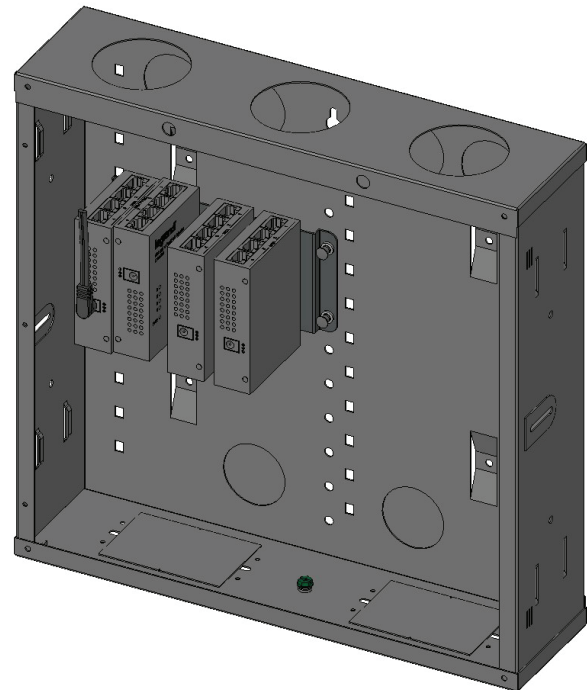


Figure 2