

Caséta Wireless Outdoor Smart Plug

The Caséta Wireless Outdoor Smart Plug controls outdoor loads, both directly and remotely when paired with either Pico remote controls or a Lutron Caséta Smart Bridge, providing a system that delivers convenience and ease of installation.

The Caséta Wireless Outdoor Smart Plug is built to withstand severe weather, season after season. A solid core construction protects the internal electronics.

The Caséta Wireless Outdoor Smart Plug uses Lutron patented Clear Connect Type A RF Technology which enables wireless communication with Pico remote controls, Caséta motion sensors, and the Lutron Smart Bridge and Smart Bridge PRO.

It is ideal for smart control of landscape and string lighting, holiday lights and inflatables, and some motors and pumps.

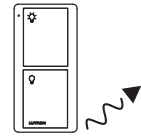
Features

- The Caséta Wireless Outdoor Smart Plug provides control of multiple load types and, when paired with Pico remote controls, allows remote control from anywhere in the space.
- When used with the Lutron Smart Bridge or Smart Bridge PRO, the Caséta Wireless Outdoor Smart Plug may be programmed via the Lutron app, incorporated into lighting scenes, scheduled for daily events, and controlled from anywhere in the world¹.
- The Caséta Wireless Outdoor Smart Plug can be automatically turned on/off, when paired to a Caséta motion sensor.
- Lutron patented Clear Connect Type A RF Technology works through walls and floors.
- Works with 120 V~ outdoor lighting, motors and pumps, and outdoor lighting low-voltage transformers. See **Load Types and Ratings** for more details.
- The unit has been designed to withstand all weather conditions. The internal electronics are fully encapsulated to keep water, humidity, dust, and dirt from ever reaching or degrading the product electronics.

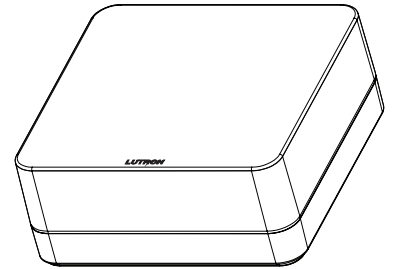
Caséta Wireless Outdoor Smart Plug



Pico Remote Control (sold separately)



Lutron Smart Bridge and Smart Bridge PRO (sold separately)



Load Types and Ratings

- Up to 15 A lighting loads
- Up to 1/2 HP motor and pump loads
- Up to 1200 VA (8 A) lighting transformer / magnetic ballast loads.

¹ The Lutron app is required for setup and use with the Smart Bridge and Smart Bridge PRO. The Lutron app is compatible with iOS® devices version 6.0 or later and Android™ devices 4.0 or later.

Job Name:	Model Numbers:
Job Number:	

Specifications

Regulatory Approvals

- cULus Listed
- FCC approved. Complies with the limits for a Class B digital device, pursuant to Part 15 of the FCC Rules
- Industry Canada certified
- IFTEL certified
- IP65 certified rating

Power

- Operating voltage: 120 V~ 50/60 Hz
- Operating current (with no load connected): 6.8 mA @ 120 V~

Key Design Features

- Tested to be certified to an Ingress Protection rating of IP65 for dirt, dust, moisture, rain, sprinklers, hoses, and snow.
- The Outdoor Smart Plug always operates locally and does not require system control.
- Power failure memory: should power be interrupted, the Outdoor Smart Plug will return to its previously set On or Off state prior to the interruption when power is restored.
- Multi-color indicator LED with status and error reporting.

System Communications and Capacity

- The Caséta Wireless Outdoor Smart Plug communicates with Pico remote controls, Caséta motion sensors, and Lutron Smart Bridge or Smart Bridge PRO through radio frequency (RF).
- The Caséta Wireless Outdoor Smart Plug minimum operating distance is 60 ft (18 m) line-of-sight or 30 ft (9 m) through walls when using Pico remote controls, Caséta motion sensors, Lutron Smart Bridge, Lutron Smart Bridge PRO, or Caséta Wireless repeater.

Device Limits

- Up to 10 Pico remote controls and 10 Caséta motion sensors may be paired to each Caséta Wireless Outdoor Smart Plug (with no Smart Bridge installed).
- Smart Bridge or Smart Bridge PRO system: up to 75 total wireless devices (Caséta Wireless dimmers/ switches, Pico remote controls, Caséta motion sensors, outdoor smart plugs) are supported per system. Smart Bridge or Smart Bridge PRO counts as one device. The Caséta Wireless repeater counts as one device.

Environment

- Ambient operating temperature: -4 °F to 122 °F (-20 °C to 50 °C), 0% to 100% humidity.
- Intended for outdoor use in all weather conditions. See Installation Guide for how to properly install. Must be used with a GFCI protected outlet.

Operation with a Pico Remote Control

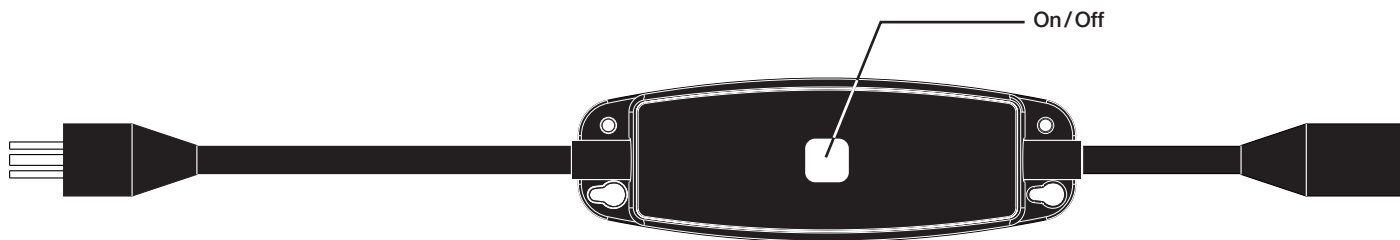
Button	Response
On	Unit will turn the load on
Off	Unit will turn the load off
Raise	Unit does not respond
Lower	Unit does not respond
Preset	Unit will go the on or off state that was set with the preset button

Note: Caséta Wireless systems have 2 button and 5 button Pico remote controls and this table covers the operation for both variants.

Job Name:	Model Numbers:
Job Number:	

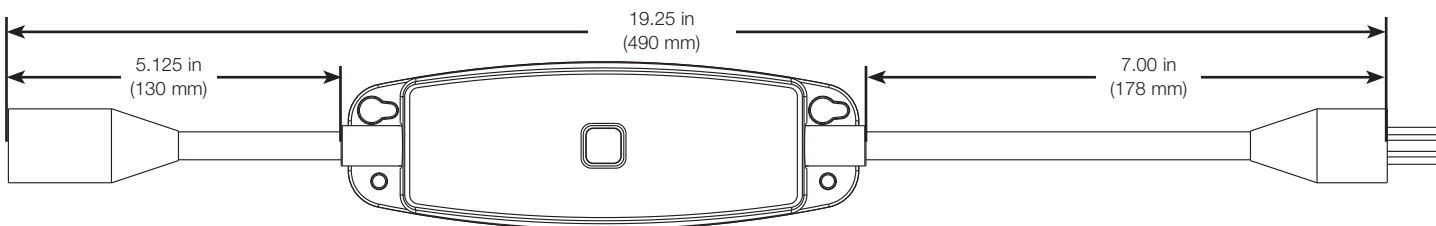
Operation

Outdoor Smart Plug

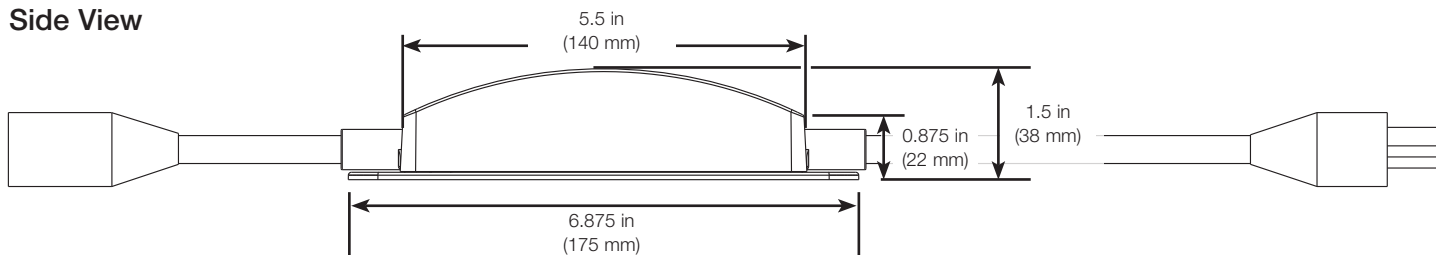


Dimensions

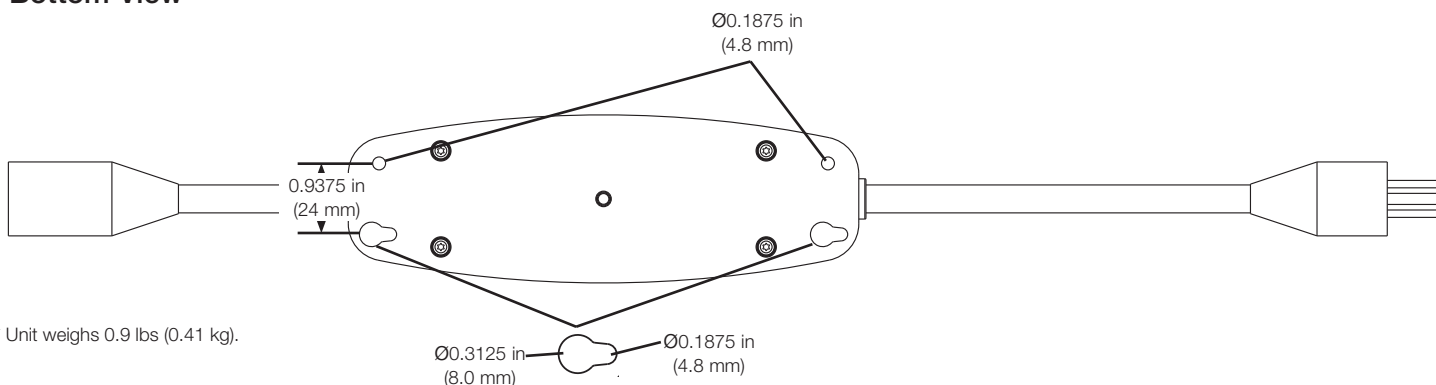
Top View



Side View



Bottom View



* Unit weighs 0.9 lbs (0.41 kg).

Lutron, Lutron, Caséta, Pico, Smart Bridge and Clear Connect are trademarks or registered trademarks of Lutron Electronics Co., Inc. in the US and/or other countries.

iOS is a registered trademark of Cisco in the U.S. and other countries and is used under license.

All product names, logos, and brands are property of their respective owners.

Job Name:	Model Numbers:
Job Number:	