

CLEERLINE SSF™ Fiber Optics Pre-Polished Mechanical Splice Connectors

LC & SC Type MM, SM/UPC, SM/APC



Cleerline SSF™ LC and SC mechanical splice connectors ensure precise fiber alignment, producing low loss terminations for all multimode or single mode applications.

SSF™ are compatible with 250 μm, 900 μm, 2.0 mm, and 3.0 mm cables. No crimping or proprietary tooling is required to terminate. Each connector features a large confirmation window for easy verification and a V-groove channel for easy fiber insertion.

SSF™ connectors are compatible with all SSF™ fibers as well as standard fiber optic cabling.



FEATURES AND BENEFITS

- Pre-polished connectors
- No crimping required
- Large confirmation window
- Exclusive hinge-based design
- Compatible with 250 μm, 900 μm, 2.0 mm, and 3.0 mm cable
- Build-up tubes included
- Available in single mode and multimode, LC and SC styles
- Single mode UPC and APC styles available

APPLICATIONS

- Premise/Enterprise Networks
- Backbone, Horizontal, and FTTx applications
- Data Center, Enterprise, Broadcast, Industrial
- Defense, Healthcare, and Telco/MSO
- Field repair/replacement
- LAN/WAN connections

IMAGE	PART NUMBER	TYPE	FIBER TYPE	POLISH	INSERTION LOSS	RETURN LOSS	COLOR	PACK
	SSF-LC-MMFPC-10	LC	OM3/OM4 Multimode	Flat	Typical ≤ 0.3 dB Max 0.5 dB	≥ 26 dB	Aqua	10 pack
	SSF-LC-SMUPC-10	LC	OS1/OS2 Single Mode	Ultra Physical Contact	Typical ≤ 0.3 dB Max 0.5 dB	≥ 45 dB	Blue	10 pack
	SSF-LC-SMAPC-10	LC	OS1/OS2 Single Mode	Angled Physical Contact	Typical ≤ 0.3 dB Max 0.6 dB	≥ 55 dB	Green	10 pack
	SSF-SC-MMFPC-10	SC	OM3/OM4 Multimode	Flat	Typical ≤ 0.3 dB Max 0.5 dB	≥ 26 dB	Aqua	10 pack
	SSF-SC-SMUPC-10	SC	OS1/OS2 Single Mode	Ultra Physical Contact	Typical ≤ 0.3 dB Max 0.5 dB	≥ 45 dB	Blue	10 pack
	SSF-SC-SMAPC-10	SC	OS1/OS2 Single Mode	Angled Physical Contact	Typical ≤ 0.3 dB Max 0.6 dB	≥ 55 dB	Green	10 pack

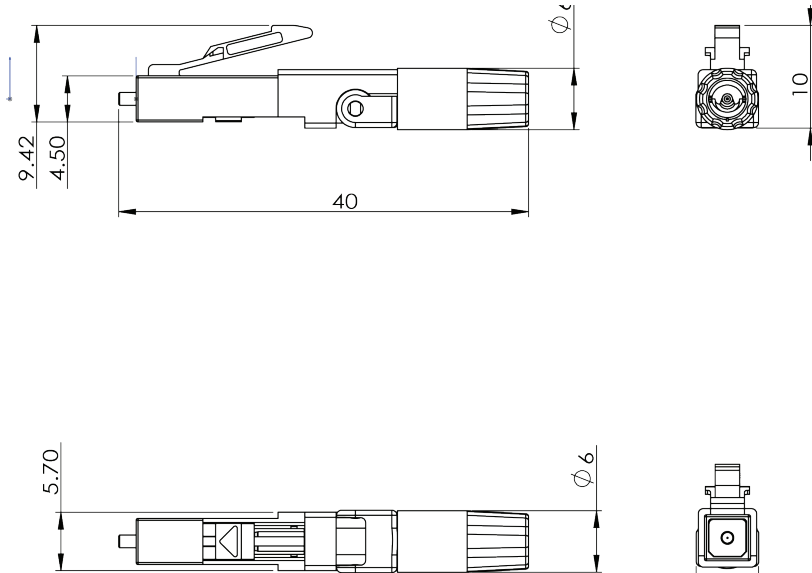
CLEERLINE TECHNOLOGY GROUP, LLC

8404 El Way Drive #2B, Missoula, MT 59808 USA & CAN: 866-469-2487 Fax 406.532.0060
Web: www.cleerlinefiber.com Copyright 2012 Cleerline Technology Group, LLC.

Date: 8/22/2018 Rev. 1.6

Int'l +1.406.541.9830 Int'l Fax 1.406.532.0060
All rights reserved. Subject to change without notice.

LC TYPE SSF™ Connectors: MM, SM/UPC, SM/APC



SC TYPE SSF™ Connectors: MM, SM/UPC, SM/APC

