

## CPM-S Pendant Mounting Bracket Indoor/Outdoor

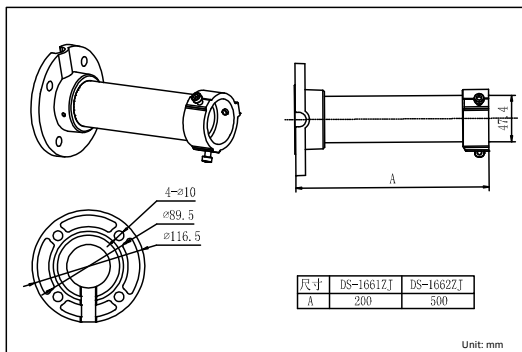


|            | DS-1661ZJ                                |
|------------|--|
| Color      | Hikvision white                          |
| Feature    | Suitable for speed dome pendant mounting |
| Material   | Aluminum alloy                           |
| Dimensions | Φ116.5 mm × 200 mm (4.59" x 7.87")       |
| Weight     | 1000 g (35.27 ozs)                       |

### Features

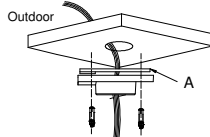
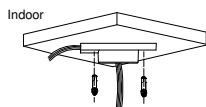
- Aluminum Alloy Material with Surface Spray Treatment
- General Design for Indoor/Outdoor Use
- Wire Outlet Hole
- Waterproof with Rubber Blanket Design
- Safety Rope for Safe and Convenient Assembly

### Dimensions

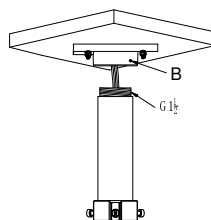


### Installation

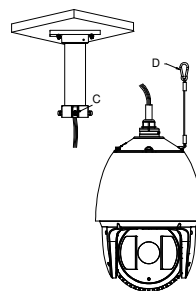
1. Choose the appropriate wall to mount the ceiling, and rubber blanket should be added when assembling outdoors.
2. Twist and fix the screwed pipe after threading.
3. Fasten the safety rope, thread the line and assemble the speed dome.
4. Fasten the snap joint fixing screw



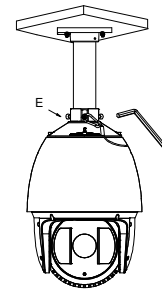
A: Waterproof rubber blanket



B: Screw hole



C: Safety rope hook D: Safety rope



E: Snap joint fixing screw.

NOTE: The speed dome figure in "Installation" is for reference only; please adhere to referencing the actual product.