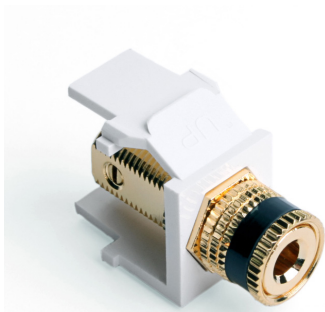


## Binding Post QuickPort® Connectors

### APPLICATION

Binding Post QuickPort Connectors provide connectivity for workstation cabling for speaker wire. The connectors snap into any QuickPort housing: flush- and surface-mount outlets, Multimedia Outlet System (with adapter), Decora® Inserts, patch panels, and patch blocks.



### SPECIFICATION

The connectors for audio connectivity shall be individual snap-in style screw terminal to binding post adapters, and shall fit all other installed telecommunications wallplates, outlets, and field-configurable patch panels and patch blocks. Connectors shall be available in ivory, white, light almond, black, and brown to match the housings or wallplates. Connectors shall be UL listed. All plastics used in construction of the module bodies shall be fire retardant.

### FEATURES

- Compatible with Banana Jack connectors
- Compatible with all QuickPort wallplates, housings, and panels
- Available in a variety of colors to match housings or wallplates
- Screw Terminal

### DESIGN CONSIDERATIONS

- Check clearance behind proposed location of bulkhead module to ensure space for proper bend-radius of cabling media

### STANDARDS COMPLIANCE

- cULus Listed (UL 1863 , CAN/CSA-C22.2 No. 182.4-1990)

### PHYSICAL SPECIFICATIONS

Dimensions: See page two

Materials: Connector bodies are high-impact, fire-retardant plastic rated UL 94V-0  
Binding Post is gold flash-plated 5-15 µm

### COUNTRY OF ORIGIN

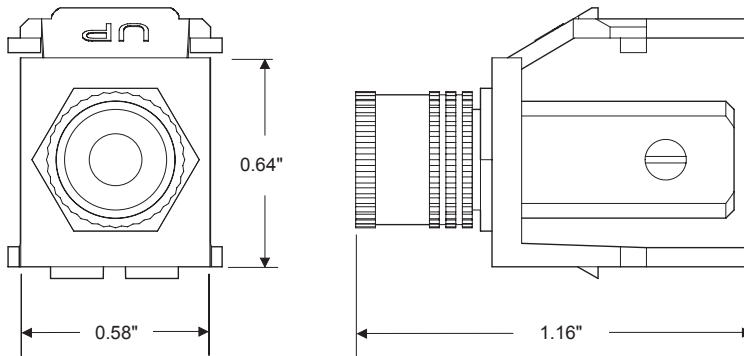
China

### WARRANTY INFORMATION

For a copy of Leviton product warranties, visit [www.leviton.com/warranty](http://www.leviton.com/warranty).

**ELECTRONIC FILES**

For CAD files, typical specs, or technical drawings (.DXF, .DWG), visit [www.leviton.com](http://www.leviton.com).



**40833-Bxx**

**PART NUMBERS**

| Description  | WHITE     | LT. ALMOND | IVORY     | BLACK     | BROWN     |
|--|-----------|------------|-----------|-----------|-----------|
| Binding Post QuickPort® Connector, feedthrough, black stripe | 40833-BWE | 40833-BTE  | 40833-BIE | 40833-BEE | 40833-BBE |
| Binding Post QuickPort Connector, feedthrough, red stripe    | 40833-BWR | 40833-BTR  | 40833-BIR | 40833-BER | 40833-BBR |



**Leviton Network Solutions**  
 2222 - 222nd St. SE  
 Bothell, WA 98021-4416

**Asia / Pacific**  
 T +1.631.812.6228  
 E [infoasean@leviton.com](mailto:infoasean@leviton.com)

**Canada**  
 T +1.514.954.1840  
 E [pcservice@leviton.com](mailto:pcservice@leviton.com)

**Caribbean**  
 T +1.954.593.1896  
 E [infocaribbean@leviton.com](mailto:infocaribbean@leviton.com)

**China**  
 T +852.2774.9876  
 E [infochina@leviton.com](mailto:infochina@leviton.com)

**Colombia**  
 T +57.1.743.6045  
 E [infocolombia@leviton.com](mailto:infocolombia@leviton.com)

tel 1-800-824-3005  
 tel +1-425-486-2222  
[appeng@leviton.com](mailto:appeng@leviton.com)  
[www.leviton.com](http://www.leviton.com)

**Europe**  
 T +33.6.8869.1380  
 E [infoeurope@leviton.com](mailto:infoeurope@leviton.com)

**India / SAARC**  
 T +91.80.4322.5678  
 E [infoindia@leviton.com](mailto:infoindia@leviton.com)

**Mexico**  
 T +52.55.5082.1040  
 E [lsamarketing@leviton.com](mailto:lsamarketing@leviton.com)

**Middle East & Africa**  
 T +971.4.886.4722  
 E [lmeinfo@leviton.com](mailto:lmeinfo@leviton.com)

**South Korea**  
 T +82.2.3273.9963  
 E [infokorea@leviton.com](mailto:infokorea@leviton.com)