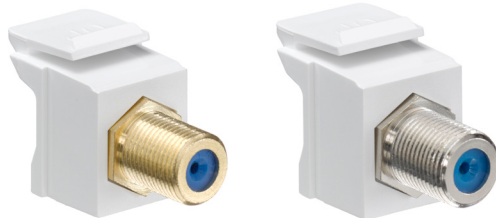


## Feedthrough QuickPort® F-Connectors

### APPLICATION

Nickel or gold-plated female-to-female 75 Ω connector features screw-on front and rear connections. Pass through design applications: TV, VCR, DVD, satellite, and home theater. Cable: coaxial cable terminated with “F” plugs. QuickPort F-Type Adapters snap into any QuickPort housing, including flush- and surface-mount outlets, Multimedia Outlet System (with adapter), Decora® Inserts, patch panels, and patch blocks.



40831-0Bx

41084-FxF

### SPECIFICATION

The modules for coaxial cable shall be individual QuickPort snap-in style female-to-female bulkhead adapters, and shall fit all other installed telecommunications wallplates, outlets, and field-configurable patch panels and patch blocks. Bulkhead modules shall be available in multiple colors to match the housings or provide unique color-coding for port ID. Modules shall be UL listed. All plastics used in construction of the module bodies shall be fire retardant.

### FEATURES

- Compatible with all QuickPort wallplates and housings
- Frequency range equals DC-3.0 GHz
- Female-female adapter for quick screw-on connections
- 360-degree gold-plated seizing pin
- 75 ohm impedance

### DESIGN CONSIDERATIONS

- F-type connector works for all coax applications
- QuickPort bulkhead modules snap into any QuickPort housing, including flush- and surface-mount outlets, Multimedia Outlet System (with adapter), patch panel, and patch blocks
- Check clearance behind proposed location of bulkhead module to ensure space for proper bend-radius

### STANDARDS COMPLIANCE

- cULus Listed (UL 1863, CAN/CSA-C22.2 No. 182.4-1990)
- Society of Cable Telecommunications Engineers (SCTE) Compliant

### PHYSICAL SPECIFICATIONS

Dimensions: See page two

Materials: Zinc die-cast body with machined threads

Insulation: Polypropylene

### COUNTRY OF ORIGIN

China, Taiwan, or Vietnam

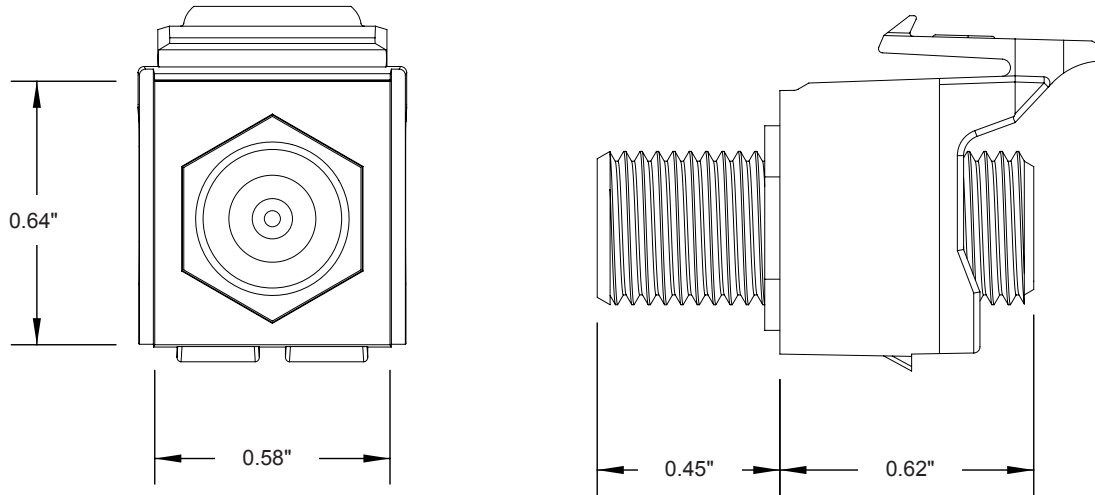
### WARRANTY INFORMATION

For a copy of Leviton product warranties, visit [www.leviton.com/warranty](http://www.leviton.com/warranty).

41084-FxF, 40831-0Bx

**ELECTRONIC FILES**

For CAD files, typical specs, or technical drawings (.DXF, .DWG), visit [www.leviton.com](http://www.leviton.com).



**41084-FxF, 40831-0Bx**

**PERFORMANCE SPECIFICATIONS**

Frequency Range	DC - 3.0 GHz (Nickel) DC - 3.0 GHz (Gold)
Insertion Loss	≤ 0.2 dB @ 3.0 GHz (Nickel) ≤ 0.2 dB @ 3.0 GHz (Gold)
Return Loss	≥ 26 dB @ 3.0 GHz (Nickel) ≥ 26 dB @ 3.0 GHz (Gold)
Electrical Impedance	75 Ω
Contact Resistance	< 4 Milliohms
Holding Force	> 160 Grams Initial > 120 Grams after Insertion

**PART NUMBERS**

Description	IVORY	WHITE	LT. ALMOND	GREY	BLACK	BROWN
Feedthrough QuickPort® F-Connectors, nickel plated	41084-FIF	41084-FWF	41084-FTF	41084-FGF	41084-FEF	41084-FBF
Feedthrough QuickPort F-Connectors, gold plated	40831-0BI	40831-0BW	40831-0BT	—	—	—



**Leviton Network Solutions**  
 2222 - 222nd St. SE  
 Bothell, WA 98021-4416

**Asia / Pacific**  
 T +1.631.812.6228  
 E [infoasean@leviton.com](mailto:infoasean@leviton.com)

**Canada**  
 T +1.514.954.1840  
 E [pcservice@leviton.com](mailto:pcservice@leviton.com)

**Caribbean**  
 T +1.954.593.1896  
 E [infocaribbean@leviton.com](mailto:infocaribbean@leviton.com)

**China**  
 T +852.2774.9876  
 E [infochina@leviton.com](mailto:infochina@leviton.com)

**Colombia**  
 T +57.1.743.6045  
 E [infocolombia@leviton.com](mailto:infocolombia@leviton.com)

tel 1-800-824-3005  
 tel +1-425-486-2222  
[appeng@leviton.com](mailto:appeng@leviton.com)  
[www.leviton.com](http://www.leviton.com)

**Europe**  
 T +33.6.8869.1380  
 E [infoeurope@leviton.com](mailto:infoeurope@leviton.com)

**India / SAARC**  
 T +971.4.886.4722  
 E [infoindia@leviton.com](mailto:infoindia@leviton.com)

**Mexico**  
 T +52.55.5082.1040  
 E [lsamarketing@leviton.com](mailto:lsamarketing@leviton.com)

**Middle East & Africa**  
 T +971.4.886.4722  
 E [lmeinfo@leviton.com](mailto:lmeinfo@leviton.com)

**South Korea**  
 T +82.2.3273.9963  
 E [infokorea@leviton.com](mailto:infokorea@leviton.com)