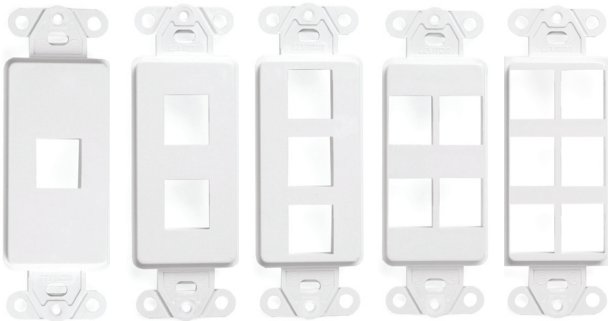


QuickPort® Decora® Multimedia Inserts

APPLICATION

Decora inserts accept all QuickPort snap-in modules, and are used to support voice, data, audio, and video applications in NEMA openings where a Decora-brand look is desired. Available in white, light almond, ivory, grey, black, and brown.



SPECIFICATION

The workstation inserts shall be a field-configurable true Decora inserts that fits standard NEMA openings. It should provide 1, 2, 3, 4, or 6 ports which are field configurable with a variety of QuickPort snap-in connectors/modules. It must be constructed of high-impact, fire-retardant plastic rated UL 94V-0. Colors, configurations, and related wallplates to be specified per schedule on plan. Must also be cULus Listed, and compliant with ANSI/TIA-568-C.0 specifications.

FEATURES

- Mounts flush with Decora wallplate
- True Decora-brand design matches Leviton Decora rocker switches and electrical products
- Fits within minimum NEMA openings
- High port density options
- Inserts accept all QuickPort connectors

DESIGN CONSIDERATIONS

- Use where a Decora look and flush-mounting are important
- Fits locations where a Decora opening exists
- Available in 1-, 2-, 3-, 4-, and 6-port options
- If ganged with electrical devices a barrier box must be used
- Put blanks (41084-BxB) in unused ports to allow for future expansion
- Specify port identification method (colored modules, designation labels, and custom silk-screening available). To identify ports, use different colored connectors for each application or Leviton pre-printed Port Designation Labels (41080-LEB)
- Available in six colors: white, light almond, ivory, grey, black, and brown

STANDARDS COMPLIANCE

- cULus Listed (UL 1863 & CAN/CSA-C22.2 No. 182.4)
- ANSI/TIA-568-C.0

PHYSICAL SPECIFICATIONS

Dimensions: See page two
Materials: High-impact, fire-retardant plastic rated UL 94V-0
Capacity: 1 to 6 QuickPort connectors

COUNTRY OF ORIGIN

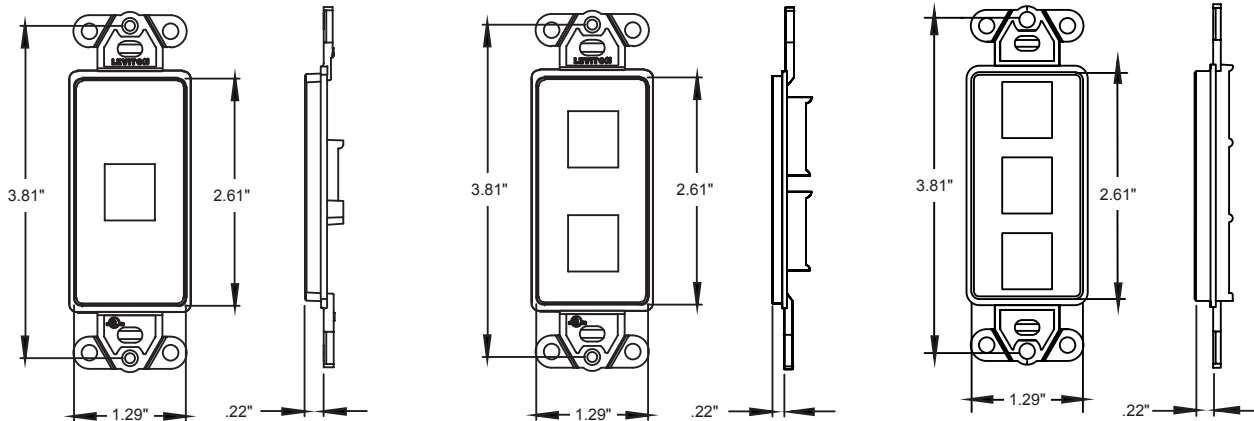
Mexico

WARRANTY INFORMATION

For a copy of Leviton product warranties, visit www.leviton.com/warranty.

ELECTRONIC FILES

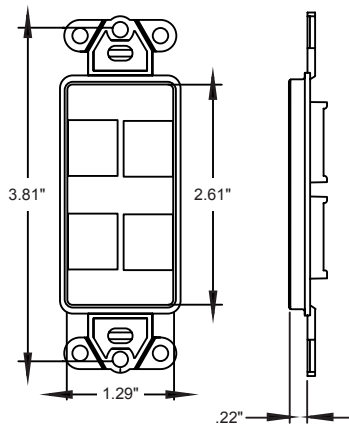
For CAD files, typical specs, or technical drawings (.DXF, .DWG), visit www.leviton.com.



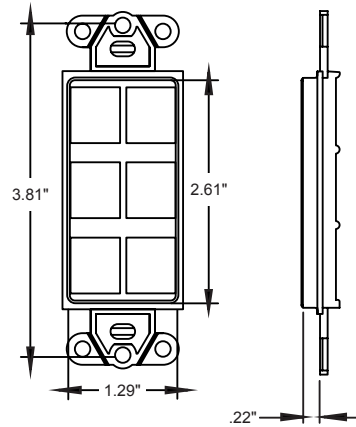
1-Port Insert

2-Port Insert

3-Port Insert



4-Port Insert



6-Port Insert

4164x-xxx

PART NUMBERS

Description	WHITE	LT. ALMOND	IVORY	GREY	BLACK	BROWN
QuickPort® Decora® Multimedia Insert, 1 Port	41641-00W	41641-00T	41641-00I	41641-0GY	41641-00E	41641-00B
QuickPort Decora Multimedia Insert, 2 Ports	41642-00W	41642-00T	41642-00I	41642-0GY	41642-00E	41642-00B
QuickPort Decora Multimedia Insert, 3 Ports	41643-00W	41643-00T	41643-00I	41643-0GY	41643-00E	41643-00B
QuickPort Decora Multimedia Insert, 4 Ports	41644-00W	41644-00T	41644-00I	41644-0GY	41644-00E	41644-00B
QuickPort Decora Multimedia Insert, 6 Ports	41646-00W	41646-00T	41646-00I	41646-0GY	41646-00E	41646-00B

Note: QuickPort snap-in modules (connectors and simplex modules), Decora wallplates, and Decora plus wallplates are sold separately.



Leviton Network Solutions
2222 - 222nd St. SE
Bothell, WA 98021-4416

Asia / Pacific
T +1.631.812.6228
E infoasean@leviton.com

Canada
T +1.514.954.1840
E pcservice@leviton.com

Caribbean
T +1.954.593.1896
E infocaribbean@leviton.com

China
T +852.2774.9876
E infochina@leviton.com

Colombia
T +57.1.743.6045
E infocolombia@leviton.com

tel 1-800-824-3005
tel +1-425-486-2222
appeng@leviton.com
www.leviton.com

Europe
T +33.6.8869.1380
E infoeurope@leviton.com

India / SAARC
T +971.4.886.4722
E infoindia@leviton.com

Mexico
T +52.55.5082.1040
E Esamarketing@leviton.com

Middle East & Africa
T +971.4.886.4722
E Imeinfo@leviton.com

South Korea
T +82.2.3273.9963
E infokorea@leviton.com