

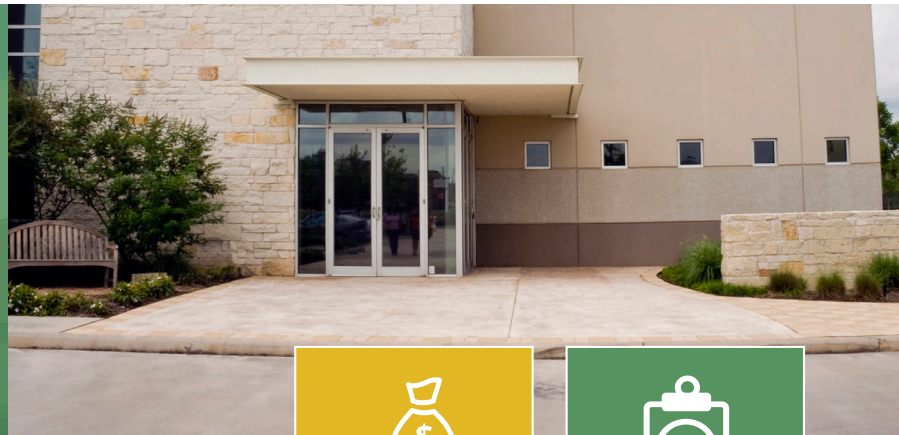
# CV-550SPK WEATHER/VANDAL RESISTANT KEYPAD & PROXIMITY READER (V3)



Camden's Next Generation CV-550SPK offers a complete single-door access control solution for high-traffic applications that demand weather and vandal resistant performance over years of operation.

The sturdy, cast metal housing and illuminated keypad with proximity reader supports up to 20,000 users, making it ideal for professional offices, schools, commercial and industrial applications.

The 26-bit Wiegand input and output allows the CV550SPK to also operate as a single or dual credential device, while the variety of configuration options make it compatible with most access systems.



BEST VALUE



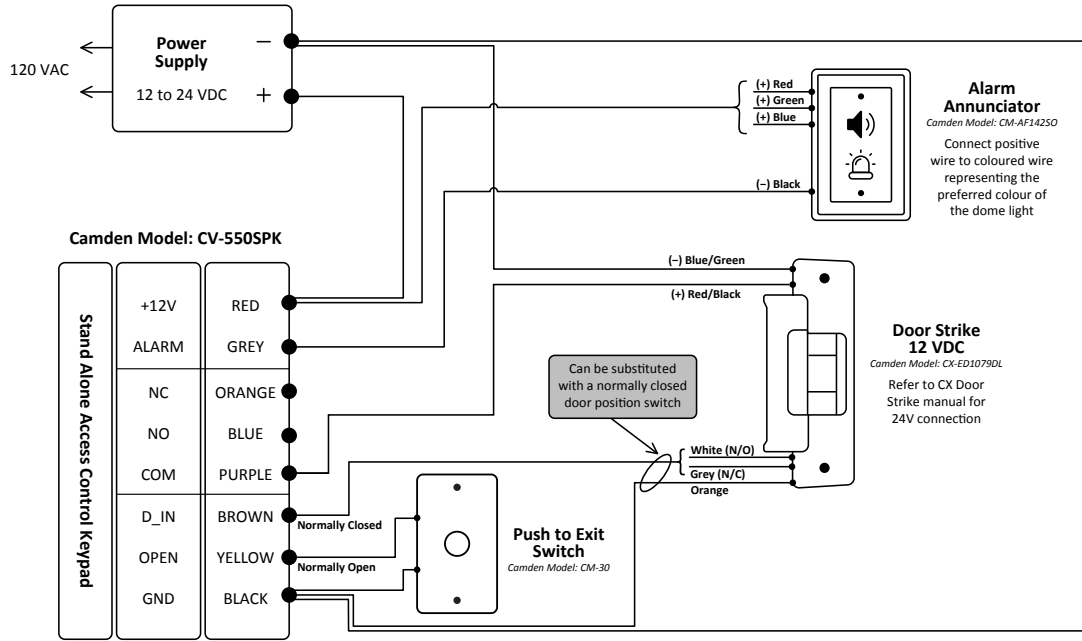
BEST QUALITY

## Features

- IP68 Rated Water/Dust Resistance
- Back-Lit Keypad for Enhanced Visibility
- Sturdy and Vandal Proof Zinc Alloy Electroplated Case with Rain/Privacy Shield
- 20,000 Users - Supports Card, Pin, & Card + Pin
- Adjustable Door Output Time, Alarm Time & Door Open Time
- Batch Enrollment and Easy Programming
- Tamper Alarm Output (LDR)
- Keypad with Built-In Proximity Reader
- 7 Types of Administrative Cards for Quick & Easy Regular Maintenance
- 3-Year Warranty



## WIRING TO AN ACCESS CONTROL PANEL



## SPECIFICATIONS

INPUT POWER:	10 - 28V AC/DC
STANDBY CURRENT:	35 mA (Input VDC12V)
OPERATING CURRENT:	100 mA (Input VDC12V)
WORKING HUMIDITY:	0-95%
WORKING TEMPERATURE:	-40°C - 60°C (-40F - 140F)
ALARM OUTPUT (DIGITAL):	1A @ 30 VDC
LOCK RELAY:	1A @ 30 VDC
READ RANGE:	2" (5 cm)
USERS:	20,000
READER FORMAT:	HID / EM
READER BIT PATTERN:	8 Bit Burst, 26, 34 or 37 Bit
KEYPAD FORMAT:	26 Bit Standard, 4 Bit or 8 Bit Burst
IP RATING:	68

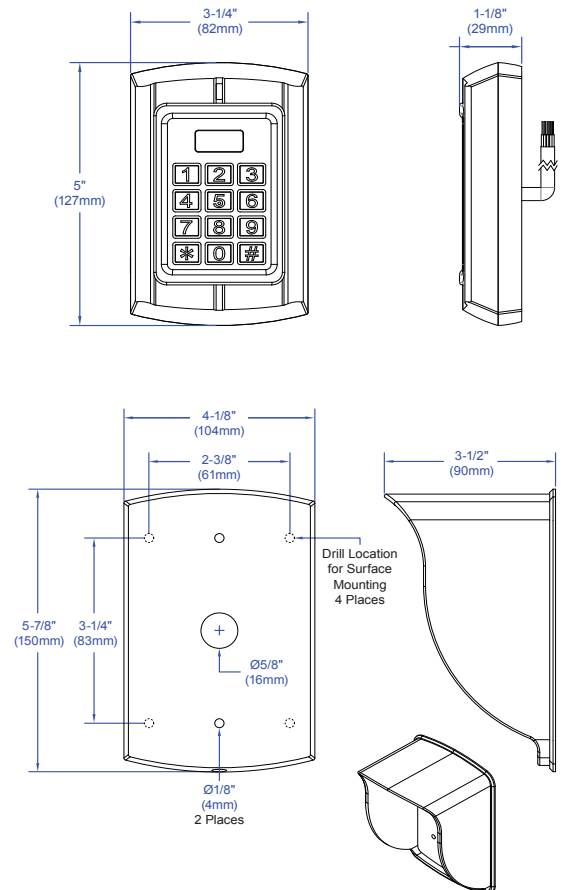
## COMPATIBLE PROXIMITY CARDS & READERS

<b>CV-CSH:</b>	HID FORMAT CLAM SHELL PROXIMITY CARD, PACKAGE OF 10
<b>CV-CSH-B:</b>	HID FORMAT CLAM SHELL PROXIMITY CARD, PACKAGE OF 100
<b>CV-ISH:</b>	HID FORMAT ISO PROXIMITY CARD, PACKAGE OF 10
<b>CV-ISH-B:</b>	HID FORMAT ISO PROXIMITY CARD, PACKAGE OF 100
<b>CV-KTH:</b>	HID FORMAT PROXIMITY KEY FOB, PACKAGE OF 25
<b>CV-7400:</b>	HID / AWID DUAL FORMAT READER
<b>CV-CSE:</b>	EM FORMAT ISO PROXIMITY CARD, PACKAGE OF 10
<b>CV-CSE-B:</b>	EM FORMAT ISO PROXIMITY CARD, PACKAGE OF 100
<b>CV-KTE:</b>	EM FORMAT PROXIMITY KEY FOB, PACKAGE OF 25

## ORDERING INFORMATION

**CV-550SPK:** Stand-Alone Proximity Reader & Keypad, 1 Relay, 20,000 Users

## DIMENSIONS



**CAMDEN** DOOR CONTROLS Opening New Doors to Innovation, Quality and Support!

5502 Timberlea Blvd. Mississauga, ON Canada L4W 2T7 • Toll Free: 1 877 226-3369 (CAMDEN9)  
Tel: (905) 366-3377 • Fax: (905) 366-3378 • E-mail: info@camdencontrols.com • www.camdencontrols.com

BSI Certified ISO 9001:2015  
FS 541752

Part #: MKTG-LIT-SP-CV-550SPKV3