



Primus Cables unshielded RJ11 telephone plugs are made with high standards, keeping our customer and their phone systems in mind. Even with something as small as an RJ11 plug, it must be made right and it must work right. These unshielded RJ11's work with solid and stranded cable with 8 pins (gold plated) and 8 conductors.

Features

- 50µ" Gold Plated Contacts
- Works On Round Solid Conductors
- Transparent Housing For Easy Conductor Alignment
- 6 Pins x 4 Conductors
- Fits 24 AWG - 28 AWG (0.96 - 1.02 mm OD) Wires

Electrical Specifications

- UL Applications: 250 Volts AC Max., At 2 AMPS
- Dielectric With Standing Voltage: 500 Volts AC
- Insulation Resistance: 100 M Ω
- Termination: Resistance 20m Ω Max After Environmental Testing

Mechanical Specifications

- Cable-To-Plug Tensile Strength: 20 Pound Min.
- Durability: 350 Matting Cycles

Physical Characteristics

- Housing: Polycarbonate, UL94V-0
- Color: Transparent
- Contact Blade: Phosphor And Bronze
- Conductor: Stranded & Solid Wire, 24-28 AWG (Plug Can Be Used For Wire OD's Of 0.96-1.02 mm)
- Gold Plating: 50µ"

Optional Silver Satin Bulk Cable, 1000ft

Flat modular telco cable with silver PVC jacket comes on a 1000' spool. Designed for low speed data, telephone or VoIP networks. Available in 28 AWG and 26 AWG.

- LC1-352SL4C - 4 Cond 26AWG
- LC1-348SL4C - 4 Cond 28AWG

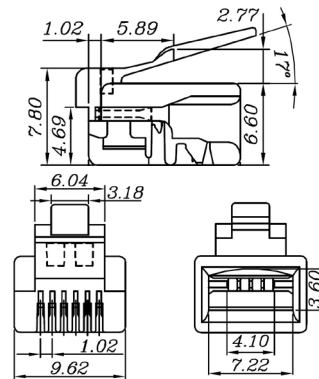


Telephone RJ11 Modular Plug

RJ11

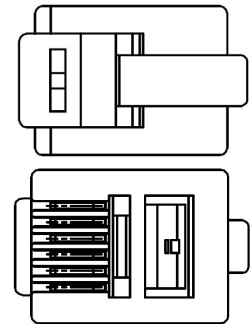


Technical Diagram



Ordering Information

Item# CN1-007-4CUL



Optional CAT3 24 AWG Solid BC CM Cable, 1000ft

Primus Cable's CAT3 CM 100MHz bulk cable is the perfect solution for large or small voice and telephone network installations.

- C3U-363WH-4C - 2 Pair



Optional CAT3 24 AWG Solid BC CMP Cable, 1000ft

Primus Cable's CAT3 CMP 100MHz bulk cable is the perfect solution for large or small voice and telephone network installations.

- C3UP-3862WH-4C - 2 Pair



©2013 CRN Solutions Inc. dba. Primus Cable
All Rights Reserved.

Although Primus Cable makes every reasonable effort to ensure their accuracy at the time of this publication, information and specifications described herein are subject to error or omission and to change without notice, and the listing of such information and specifications does not ensure product availability.

Primus Cable provides the information and specifications herein on an "AS IS" basis, with no representations or warranties, whether express, statutory or implied. In no event will Primus Cable be liable for any damages (including consequential, indirect, incidental, special, punitive, or exemplary damages) whatsoever, even if Primus Cable has been advised of the possibility of such damages, whether in an action under contract, negligence or any other theory, arising out of or in connection with the use, or inability to use, the information or specifications described herein.

All sales of Primus Cable products are subject to Primus Cable's standard terms and conditions of sale.

Primus Cable believes this product to be in compliance with EU RoHS (Directive 2002/EC, 27 Jan. 2003). Material manufactured prior to the compliance date may be in stock at Primus Cable facilities and in our Distributor's inventory. The information provided in this Product Disclosure, and the identification of materials listed as reportable or restricted within the Product Disclosure, is correct to the best of Primus Cable's knowledge, information, and belief at the date any other operation of the product itself or the one that it becomes a part of. This Product Disclosure is not to be considered a warranty or quality specification and regulations based on their individual usage of the product.

Primus Cable declares this product to be in compliance with EU LVD (Low Voltage Directive 73/23/EEC), as amended by directive 93/68/EEC

PrimusCable.com - (951) 824-1571

