



DW-BJCUBE-LX

DW spectrum[™]
IPVMS 2.3



Summary

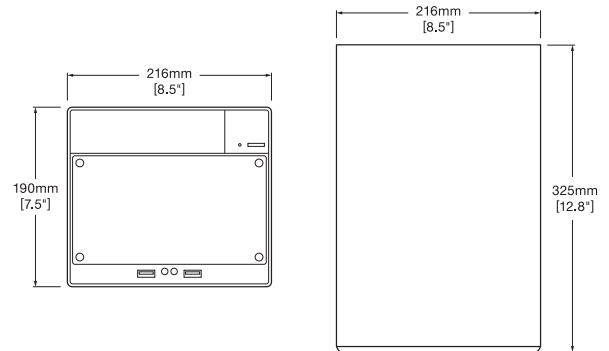
The Linux-Based Blackjack CUBE™ LX is a powerful Network Video Recorder Powered by DW Spectrum™ IPVMS. The NVR can record and manage up to 16 2.1mp 1080P Cameras at 30fps, with 80 Mbps throughput. The hardware supports DVI-D/DVI-I HD output for local monitoring, Intel® i3® Processor, Dual Network Card and Graphic System Health Monitor with scheduled auto reboot for hardware performance. The Blackjack NVR supports cross platform connectivity for Windows® and Mac® client software, allowing you to monitor and connect to your system from anywhere. The NVR is powered by DW Spectrum™ IPVMS, offering you great features such as Automatic Camera Detection, Fully Customizable Layouts, Easy Drag and Drop Camera Management and Recording, E-Mapping and Advanced Motion Masking and Sensitivity Settings. The Blackjack™ NVR is ONVIF Profile S conformant and is available with 2–18TB HDD for true Enterprise Scalability and come with an unbeatable 5 Year Limited Warranty.

Features

- Supports All ONVIF Conformant IP Cameras
- Storage Options: 2–18TB Internal Storage
- Record up to 16 IP Cameras with Total Throughput of 80Mbps
- Local Monitoring Outputs Ports
- Dual Network Ports
- USB & SD Card Interface
- Hosting DW Spectrum for Setup, Configuration, Monitoring and Recording
- One-time Recording License Charge, Fully Transferable Between Cameras and Encoders
- No Annual Maintenance Fees
- Simple Enterprise Scalability
- Auto Device Discovery
- Dual Stream Recording

Dimensions (unit : mm [inch])

5 YEAR
LIMITED WARRANTY



Specifications

ONVIF

Operating System		Linux® Ubuntu® 14.04
System	IP Cameras	Max 16 IP Cameras*
	Communication Protocol	ONVIF®
	Max Throughput	80 Mbps
	Recording Speed	1080p: 480fps
	Screen Mode	Unlimited Layouts
Max. HDD Bay		3 x SATA HDD
Video-In		IP Megapixel Cameras
Video-Out	Monitor	DVI-I, DVI-D, HDMI
	Resolution	HD 1080p
Recording Resolution		Dual Stream
Recording Modes		Continuous, Motion, Motion + Low Res Always Recording Pre and Post Alarm Recording, Quick Backup
Playback & Search	Speed	x1, x2, x4, x8, x16
	Function	Intelli-Search Time Bar, Smart Motion Search, Calendar Search, Thumbnail Search, Panoramic Search
CPU		Intel® i3® Processor
Memory		4GB
LAN		2x Gigabit Ethernet (RJ45)
Remote Software		DW Spectrum™ IPVMS Suite
Backup Device		Local Backup by USB, File Upload to NAS
Other Function	Firmware Upgrade	USB, CMS
	Back Up	USB, CMS
	Health Check	Server and Camera Health Check with Camera Diagnosis Tool
Power		100VAC: 250W, 2.5 Amps
Operating Temperature and Humidity (Recommended for installation environment)		10°C – 35°C (50°F – 95°F)
Dimensions		325mm L x 216mm W x 190mm H (12.8" L x 8.5" W x 7.5" H)
Certification		CE & FCC, RoHS

*NOTE: Maximum supported IP Cameras must be equal to max throughput information. Specifications subject to change without notice.