



---

## Alarm.com Video Doorbell (ADC-VDB750) - Installation Guide

### Pre-installation checklist

- ADC-VDB750 with included accessories
- Wired doorbell transformer (recommended 16VAC 10VA) or power supply (minimum 15VDC 8W); specifications are often written directly on the power source
- Wi-Fi (2.4 or 5 GHz) connection to broadband Internet (Cable, DSL, or Fiber Optic)
- A computer, tablet, or smartphone with Wi-Fi is required if the router does not have the Wi-Fi Protected Setup (WPS) feature
- (Optional) Wired compatible mechanical or digital chime
- (Optional) ADC-VDB750 Power Module (sold separately as ADC-VDBA-PM-750; only required if wired to a digital chime)
- (Optional) ADC-VDB750 Backplate Adapter (sold separately as ADC-VDBA-750-BPA; can be used if replacing a Slim Line Doorbell Camera and it is preferred to not reconnect the wiring)
- (Optional) ADC-VDB750 Wedge Mount Kit (sold separately as ADC-VDBA-750-WMK; can be used to optimize the captured field of view)





## In the box

- ADC-VDB750 video doorbell
- ADC-VDB750 wallplate (with pre-assembled set screw and wire terminal screws)
- Wall anchors (x2) & ST3.5 x 22mm screws (x2)
- Installation card with scannable QR code



[https://answers.alarm.com/Partner/Installation\\_and\\_Troubleshooting/Video\\_Devices/Alarm.com\\_Video\\_Doorbell\\_\(ADC-VDB7...](https://answers.alarm.com/Partner/Installation_and_Troubleshooting/Video_Devices/Alarm.com_Video_Doorbell_(ADC-VDB7...)

Updated: Thu, 08 Jun 2023 16:11:26 GMT

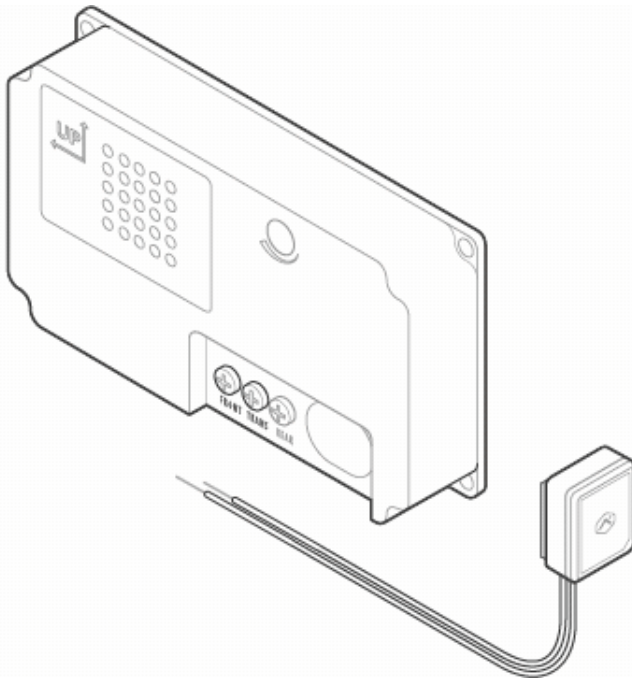
- A resistor for mechanical chime installations, if needed

## Install the ADC-VDB750

### Physical installation (New install or standard video doorbell replacement)^

**Note:** If replacing an existing Slim Line (I/II) Doorbell Camera, see [Physical installation \(Slim Line I/II replacement\)](#) below for an alternative (optional) physical installation process that requires the ADC-VDB750 Backplate Adapter (sold separately as ADC-VDBA-750-BPA).

1. Turn off power to the doorbell circuit (transformer). The recommended transformer rating is 16VAC 10VA.
2. Remove any existing power module from the in-home chime (from previous ADC-VDB770 installations with mechanical or digital chimes or from Slim Line installations with a digital chime).
3. Verify that the chime wire terminals are connected to one wire run from the transformer and one wire run from the doorbell.
  - If the in-home chime is digital (rather than mechanical), connect the ADC-VDB750 Power Module (sold separately as ADC-VDBA-PM-750) to the chime by connecting one wire to each of the terminals (leaving the existing wires in place, polarity does not matter).

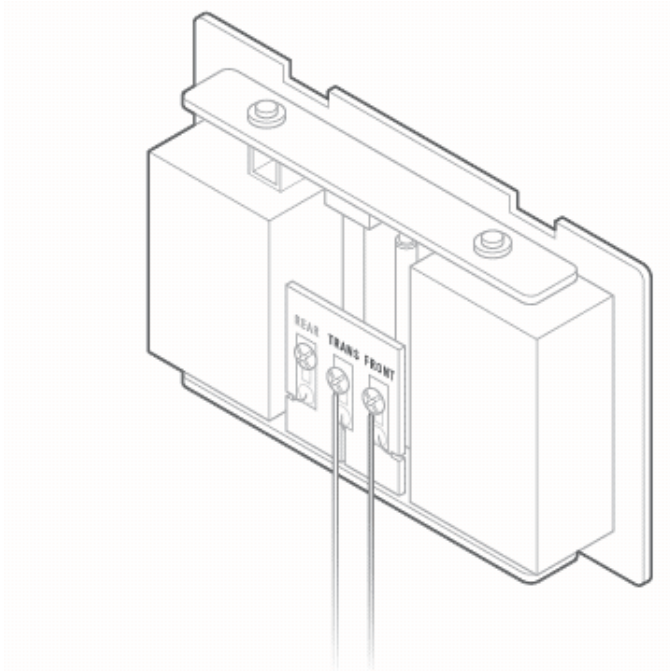


- If there is no wired in-home chime, verify that the power source (AC or DC) meets the product requirements, and wire directly (polarity does not matter) to the ADC-VDB750 (no in-line resistor is required).

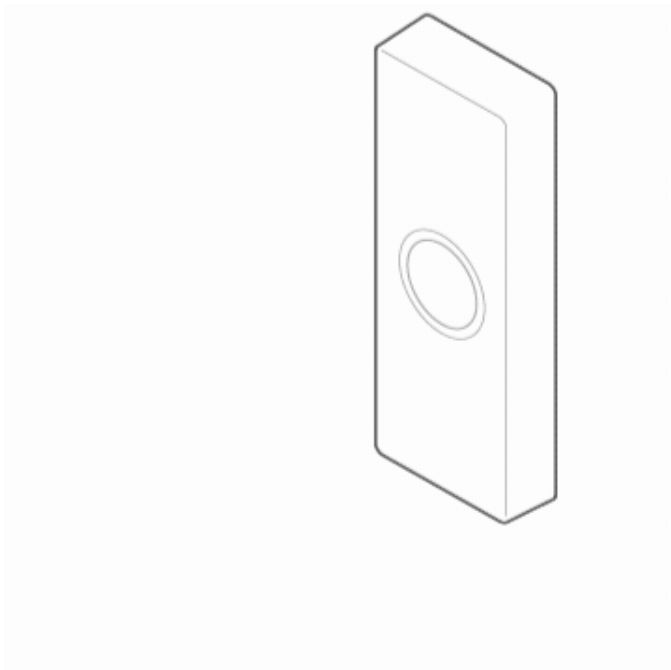
**Important:** The Power Module should not be used with mechanical chimes. If a mechanical chime is humming or ringing unexpectedly after the ADC-VDB750 is installed, the included resistor should be used. To install, connect one wire lead of the resistor to each of the chime terminals, leaving the existing wires in



place. Polarity does not matter.

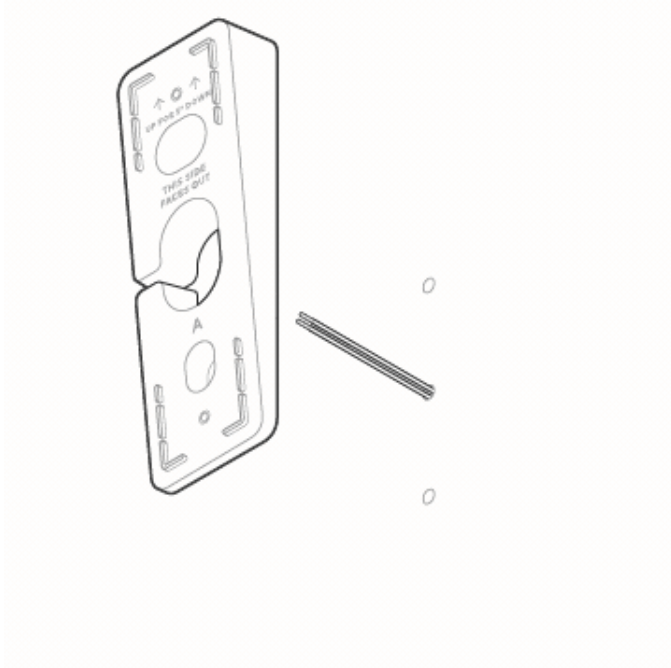


4. Remove the existing doorbell from the wall and disconnect the wires. Secure the wires so that they can be connected in a later step.

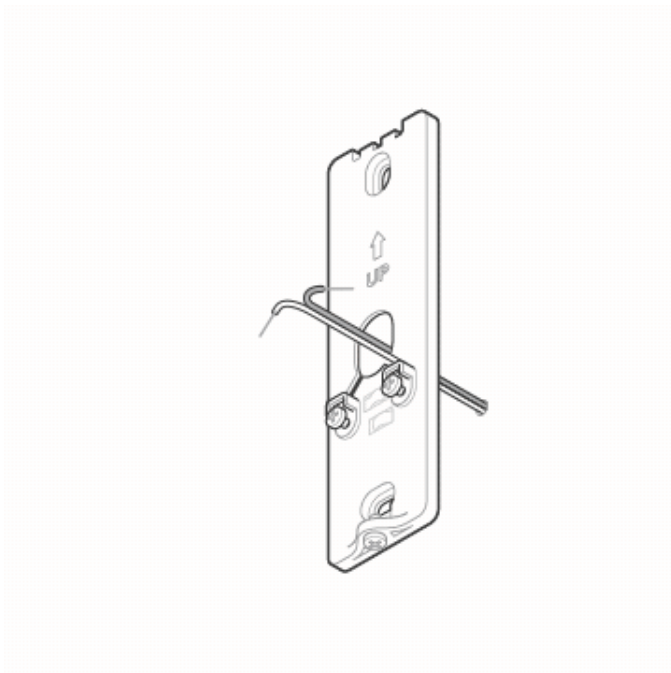


5. If using an optional wedge, thread the wires at the doorbell through the center of the wedge and mount the wedge to the surface with the provided screws/anchors.





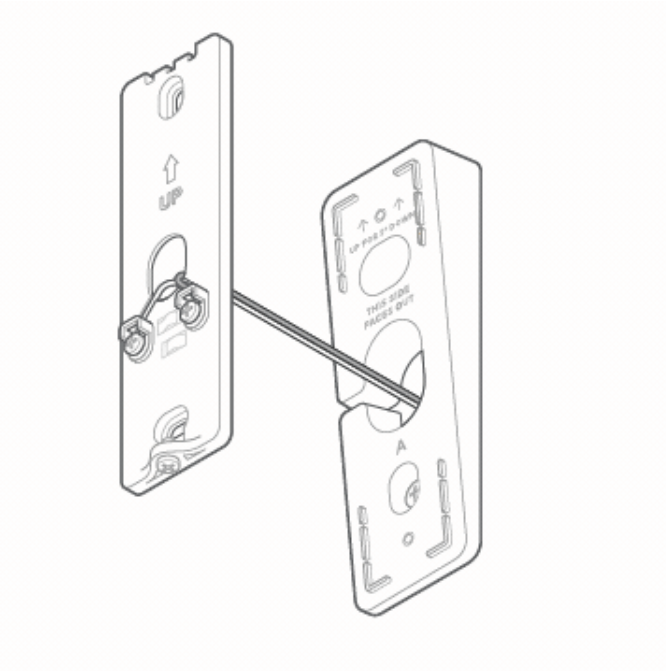
6. Thread doorbell wires through wallplate, making sure to thread wires underneath plastic bridges of wallplate leading to screw terminals, and secure to wallplate screw terminals.



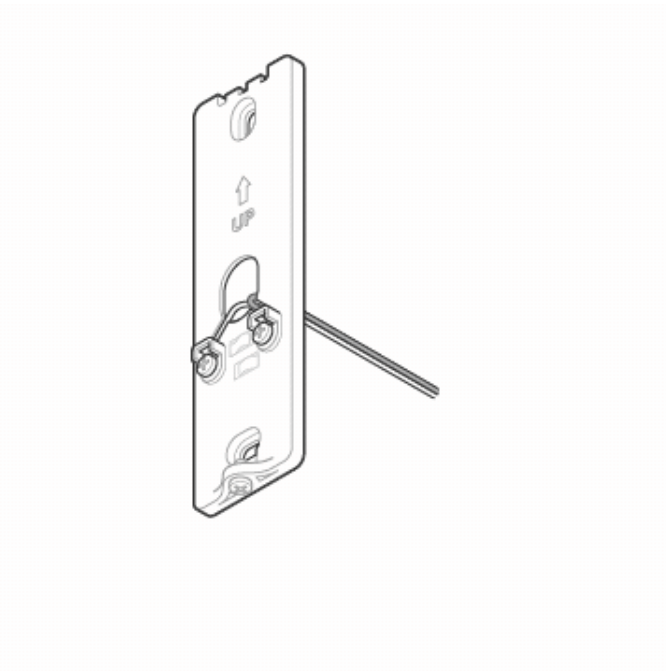
**Important:** Minimize the length of excess wire leads protruding from the area surrounding the screw terminals. Excess wire can interfere with the assembly to the ADC-VDB750 and may result in the device not powering on.



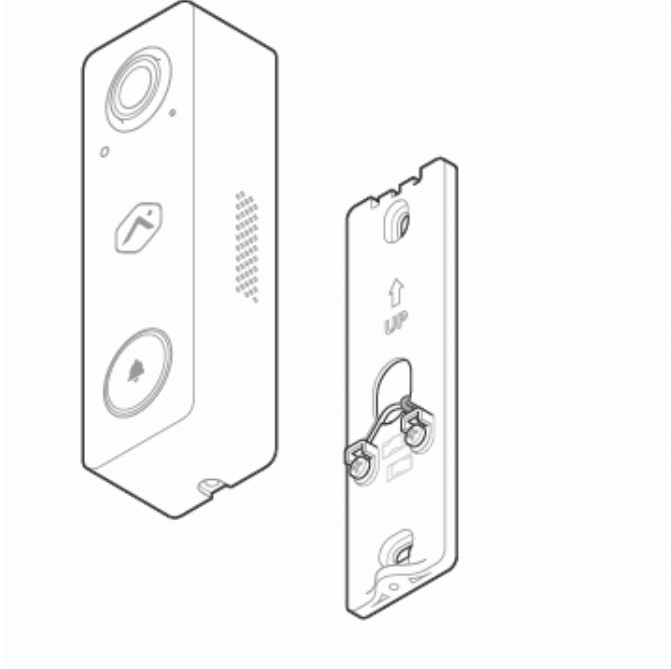
7. Determine whether to secure the wallplate to the optional wedge or mount it directly to the surface.
- If using an optional wedge, secure the wallplate to the mounted wedge using the two machine screws provided with the Wedge Mount Kit.



- If not using an optional wedge, mount the wallplate to the surface with the provided screws/anchors.



8. Connect ADC-VDB750 device to wallplate by first securing/latching the top edge, then pushing the device into the wallplate, and lastly securing the bottom set screw with a screwdriver.



9. Restore power to the doorbell circuit (transformer).

### Physical installation (Slim Line I/II replacement) ^

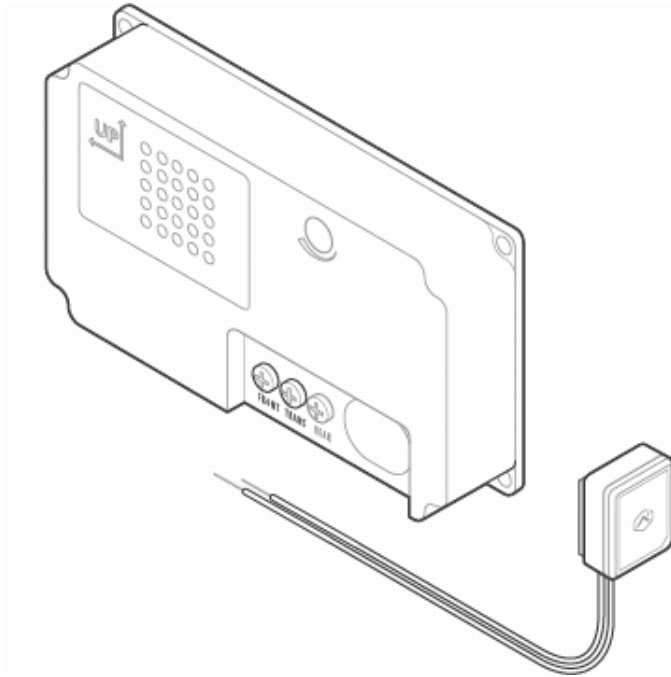
**Note:** This optional procedure is optimized for easy replacement of Slim Line (I/II) models with an ADC-VDB750 using the original Slim Line wallplate and ADC-VDB750 Backplate Adapter (ADC-VDBA-750-BPA), eliminating the need to rewire.

The use of optional wedges is not supported with this method.

If wedges are required, the wallplate will need to be replaced, and the ADC-VDB750 Backplate Adapter accessory should not be used.

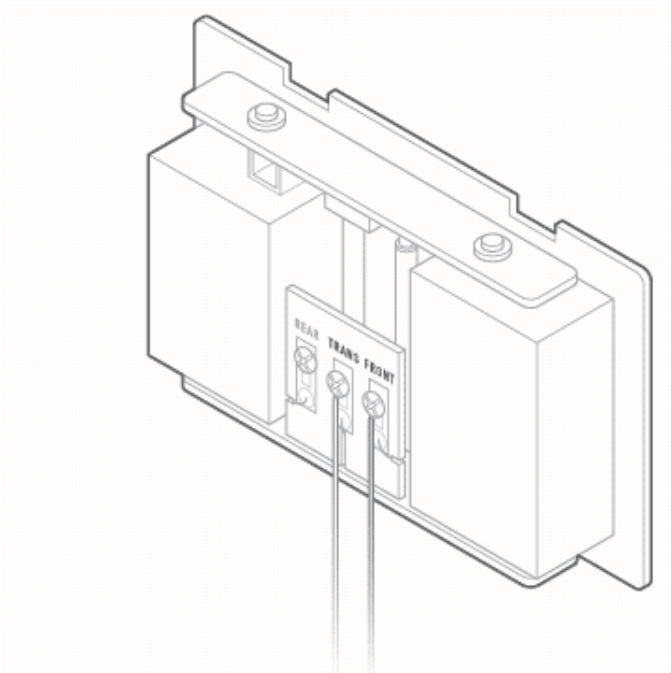
1. Turn off power to the doorbell circuit (transformer). The recommended transformer rating is 16VAC, 10VA.
2. If the Slim Line Doorbell camera is wired to a digital chime, remove the existing Skybell Digital Doorbell Adapter. Connect the ADC-VDB750 Power Module (sold separately as ADC-VDBA-PM-750) to the digital chime by connecting one wire to each of the terminals, leaving the existing wires in place. Polarity does not matter.





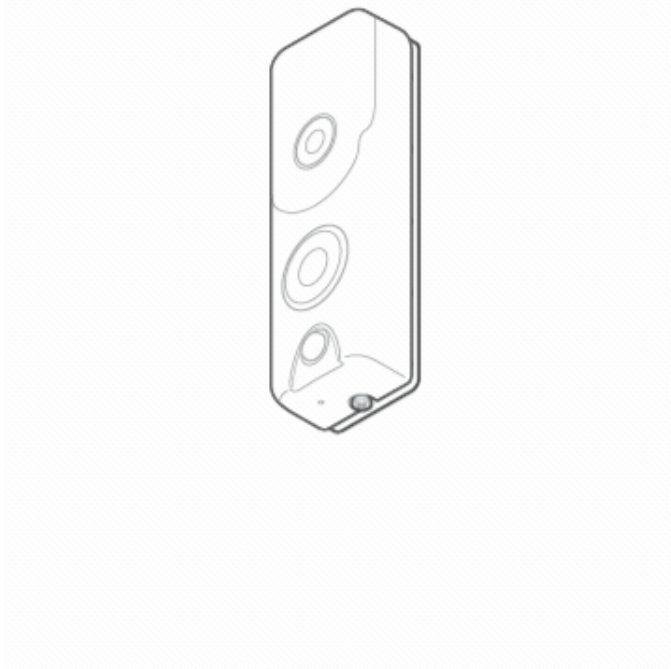
If there is no wired in-home chime, verify that the power source (AC or DC) meets the product requirements, and wire directly (polarity does not matter) to the ADC-VDB750 (no in-line resistor is required).

**Important:** The Power Module should not be used with mechanical chimes. If a mechanical chime is humming or ringing unexpectedly after the ADC-VDB750 is installed, the included resistor should be used. To install, connect one wire lead of the resistor to each of the chime terminals, leaving the existing wires in place. Polarity does not matter.

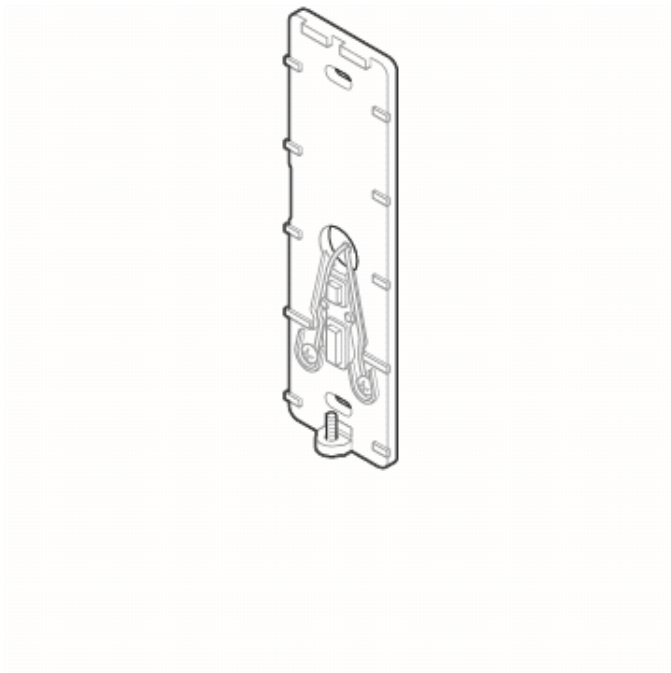




3. Remove existing Slim Line Doorbell Camera from existing wallplate by loosening the bottom set screw.



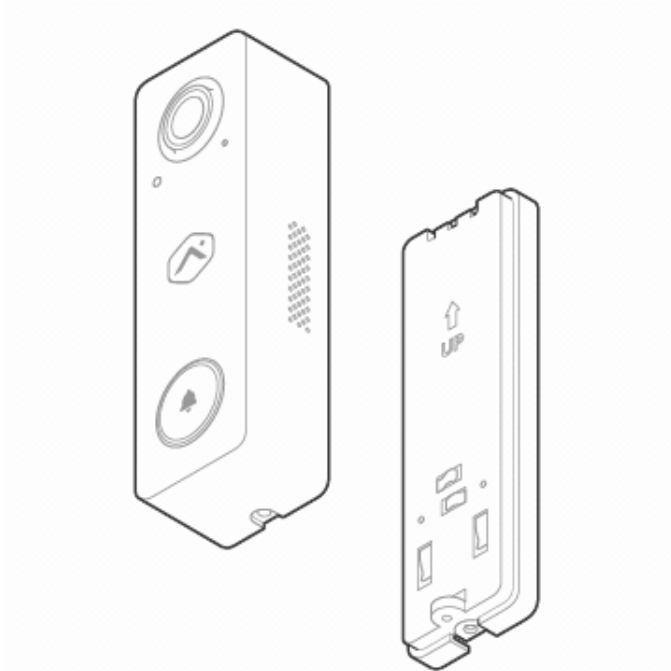
4. Keep the wallplate installed, verifying that the wiring is connected well to the two screw terminals and ensuring that the bottom set screw is loosened sufficiently to not be protruding at all above the threads at the bottom of the wallplate.



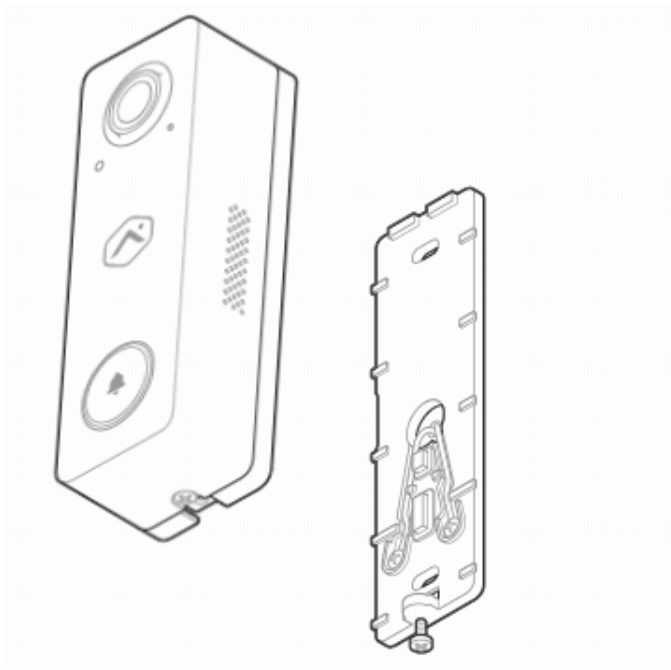
5. Secure the ADC-VDB750 device to the ADC-VDB750 Backplate Adapter and secure at the bottom of the adapter



with the provided set screw.



6. Connect the Mounting Adapter (with ADC-VDB750 device attached) to the existing Slim Line wallplate by latching the top edge, then pushing the device into the wallplate, and then securing the original bottom set screw.



7. Restore power to the doorbell circuit (transformer).



## Connect the ADC-VDB750 to the network

### AP Mode (recommended) ^

1. Verify that device boots (flashing red LED) to AP mode (flashing white LED). If the LED is not white after two minutes, hold down the doorbell button and release when the LED begins to blink white (about 35 seconds).
2. On an Internet-enabled device, connect to the Wi-Fi network **ADC-VDB750 (XX:XX:XX)** where XX:XX:XX is the last six characters of the ADC-VDB750's MAC address, which is located on the device or on the packaging.
3. On the same device, open a web browser and enter <http://vdb750install.com> or **192.168.1.1** in the URL field. Follow the on-screen instructions to add the ADC-VDB750 to the Wi-Fi network. The LED may briefly turn red before blinking green. The LED will be solid green when the connection is complete.
4. Add the device to the account by either selecting the account in the MobileTech app or by using a web browser and entering the following URL: [www.alarm.com/addcamera](http://www.alarm.com/addcamera) (you will need the customer user name and password).
5. Select the device from the video device list or enter its MAC address to begin adding. The MAC address is located on the device or on the packaging.
6. Follow the on-screen instructions to finish adding the device.

### WPS Mode ^

1. Verify that device boots (flashing red LED) to AP mode (flashing white LED). Hold down the doorbell button and release when the LED begins to blink blue (about 30 seconds).
2. Activate WPS mode on the router. The device will begin to connect to the Wi-Fi network. The LED will be solid green when the connection is complete.
3. Add the device to the account by either selecting the account in the MobileTech app or by using a web browser and entering the following URL: [www.alarm.com/addcamera](http://www.alarm.com/addcamera) (you will need the customer user name and password).
4. Select the device from the video device list or enter its MAC address to begin adding. The MAC address is located on the device or on the packaging.
5. Follow the on-screen instructions to finish adding the device.

### Customer - Customer app installation wizard ^


1. Log into the Customer app. You will need the username and password of the account to log in.
2. Tap **Add Device**. If you do not see the Add Device option, please use the instructions above to complete your installation.
3. Tap **Doorbell Camera**.
4. Tap **ADC-VDB750**.
5. Follow the on-screen instructions.








## Service provider technician - MobileTech app installation ^

1. Log into the MobileTech app.
2. Find the customer account.
3. Tap **Quick Actions**.
4. Tap **Add Device**.
5. Tap **Video**.
6. Follow the on-screen instructions.

## LED reference guide

LED pattern	Description
Off 	Power off
Blinking yellow 	Camera power cycling (press and hold button for 40-45 seconds)
Solid red 	No local or Internet connection
Blinking red 	Power on, camera booting
Alternating red and green 	Camera resetting to factory default (press and hold button for 45-50 seconds)



LED pattern	Description
Solid green 	Connected to Alarm.com
Blinking green 	Local network connection
Blinking blue 	WPS mode (press and hold button for 30-35 seconds)
Blinking white 	Wi-Fi Access Point mode (press and hold button for 35-40 seconds)
Alternating blue and green 	Firmware update

## Notices

Product installation height should be less than 2 m (6' 7") from floor level and in a vertical orientation.

Operating temperature:

-49° to 120°F (-45° to 50°C)

Ingress Protection: IP65



## FCC statements

Any changes or modifications not expressly approved by the party responsible for compliance could void the user's authority to operate this equipment. This device complies with part 15 of the FCC Rules. Operation is subject to the following two conditions:

1. This device may not cause harmful interference, and
2. This device must accept any interference received, including interference that may cause undesired operation.

## ISED statements

This device contains licence-exempt transmitter(s)/ receiver(s) that comply with Innovation, Science and Economic Development Canada's licence-exempt RSS(s). Operation is subject to the following two conditions:

1. This device may not cause interference.
2. This device must accept any interference, including interference that may cause undesired operation of the device.

This equipment complies with FCC and ISED radiation exposure limits set forth for an uncontrolled environment. This equipment should be installed and operated with a minimum distance of 20cm between the equipment and your body. This device and its antenna(s) must not be co-located or operating in conjunction with any other antenna or transmitter.

Cet appareil contient des émetteurs ou récepteurs exempts de licence qui sont conformes aux RSS exempts de licence du Sciences et du Développement économique Canada. Le fonctionnement de l'équipement dépend de deux conditions :

1. Cet appareil ne doit pas provoquer d'interférence.
2. Cet appareil doit accepter toute interférence, y compris celles qui pourraient provoquer un fonctionnement indésirable de l'appareil.

Cet appareil est conforme aux limites d'exposition aux radiofréquences établies par la FCC et l'ISED pour un environnement non contrôlé. Cet appareil doit être installé et utilisé à une distance minimale de 20 centimètres entre l'appareil et votre corps. Cet appareil et son ou ses antennes ne doivent pas être situés ou fonctionner en conjonction avec une autre antenne ou un autre émetteur.

## EU Declaration of Conformity statement

Hereby, Alarm.com Incorporated declares that the radio equipment type ADC-VDB750 is in compliance with Directive 2014/53/EU. The full text of the EU declaration of conformity is available at the following internet address:

<https://www.alarm.com/about/international/eu-red>

