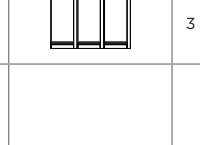
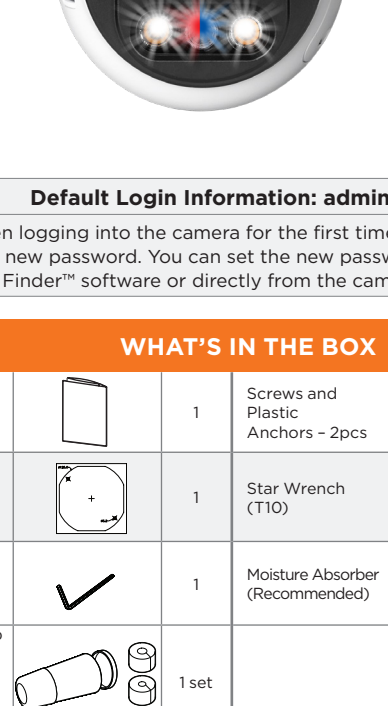


MEGAPIX Ai™

Next-generation video analytics

DWC-XSTD05MF - AI Plugin

DWC-XSTD05MFQ - QR Code Plugin



Default Login Information: admin | admin

When logging into the camera for the first time, you must setup a new password. You can set the new password using the DW® IP Finder™ software or directly from the camera's browser menu.

WHAT'S IN THE BOX

Quick Setup and Download Guide		1	Screws and Plastic Anchors - 2pcs		1 set
Mounting Template		1	Star Wrench (T10)		1
Hexagonal wrench 2.0		1	Moisture Absorber (Recommended)		3 sets
Waterproof Cap and Rubber Rings (Black: ø0.15" (ø4mm), White: ø0.19" (ø5mm))		1 set			

NOTE: Download all your support materials and tools in one place

- Go to: <http://www.digital-watchdog.com/resources>
- Search your product by entering the part number in the 'Search by Product' search bar. Results for applicable part numbers will populate automatically based on the part number you enter.
- Click 'Search'. All supported materials, including manuals and quick start guide (QSGs) will appear in the results.

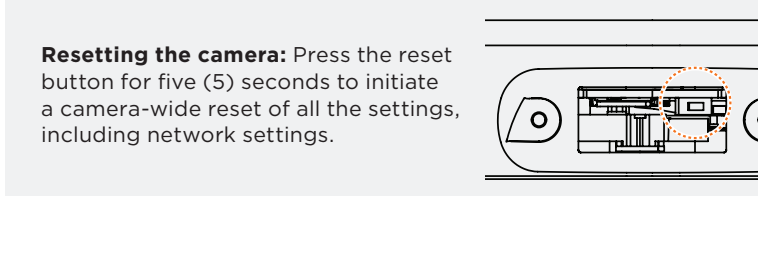


Attention: This document is intended to serve as a quick reference for the initial set-up. It is recommended that the user read the entire instruction manual for complete and proper installation and usage.

STEP 1 – PREPARING TO MOUNT THE CAMERA

1. Install the Dessicant Pack (moisture absorber):

- Remove the Dessicant Pack from its shipping packaging.
- Open the camera's control panel on the side of the camera using the star wrench included with the camera.
- Remove the Dessicant Pack used for shipping.
- Place the new Dessicant Pack in the location shown in the illustration below and close the camera control panel tightly.



NOTE: The camera will generate enough heat to dry moisture during operation. In case of moisture issues, keep the moisture absorber in the camera up to 6 months.

WARNING: Install the moisture absorber when mounting the camera to prevent performance issues and damage to the camera.

2. Mark and drill the necessary holes in the wall or ceiling using the mounting template sheet or the camera itself.

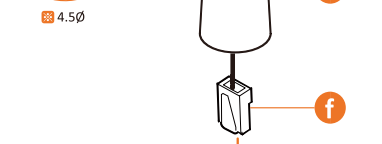
Resetting the camera: Press the reset button for five (5) seconds to initiate a camera-wide reset of all the settings, including network settings.



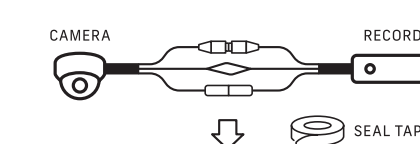
STEP 2 – POWERING THE CAMERA

Pass the wires through and make all necessary connections.

Use a PoE Injector (required. Sold separately) to connect data and power to the camera using a single Ethernet cable.



Use a non-PoE Switch to connect data using an Ethernet cable and use a power adapter to power the camera.



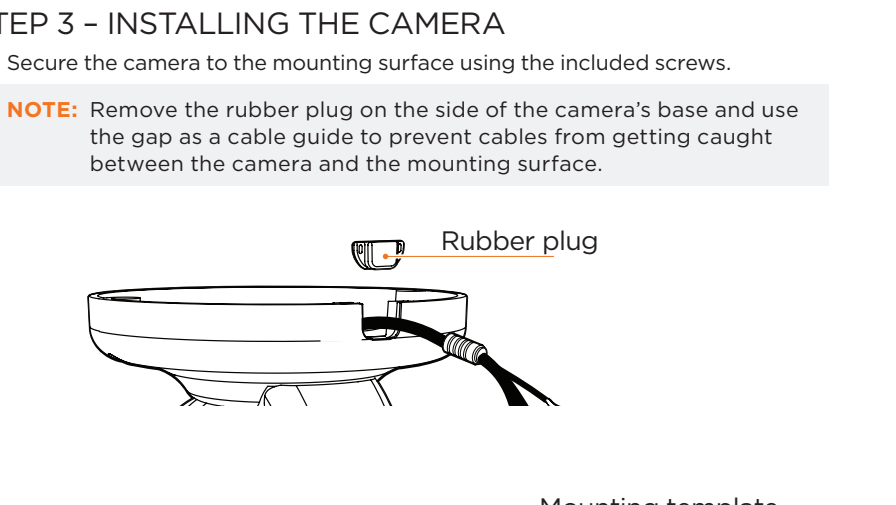
OR

WATERPROOF CAP INSTALLATION

The waterproof cap set comes with two rubber rings. Use the rubber ring best sized for your network cable's diameter.

NOTE: Cables with ø4.5mm to ø5.5mm thickness should use the black rubber ring. Cables over ø5.5mm in thickness should use the white rubber ring.

NOTE: To ensure moisture seal, make sure the o-ring is in place between C and D. In extreme environments use of an outdoor rated sealer is recommended.

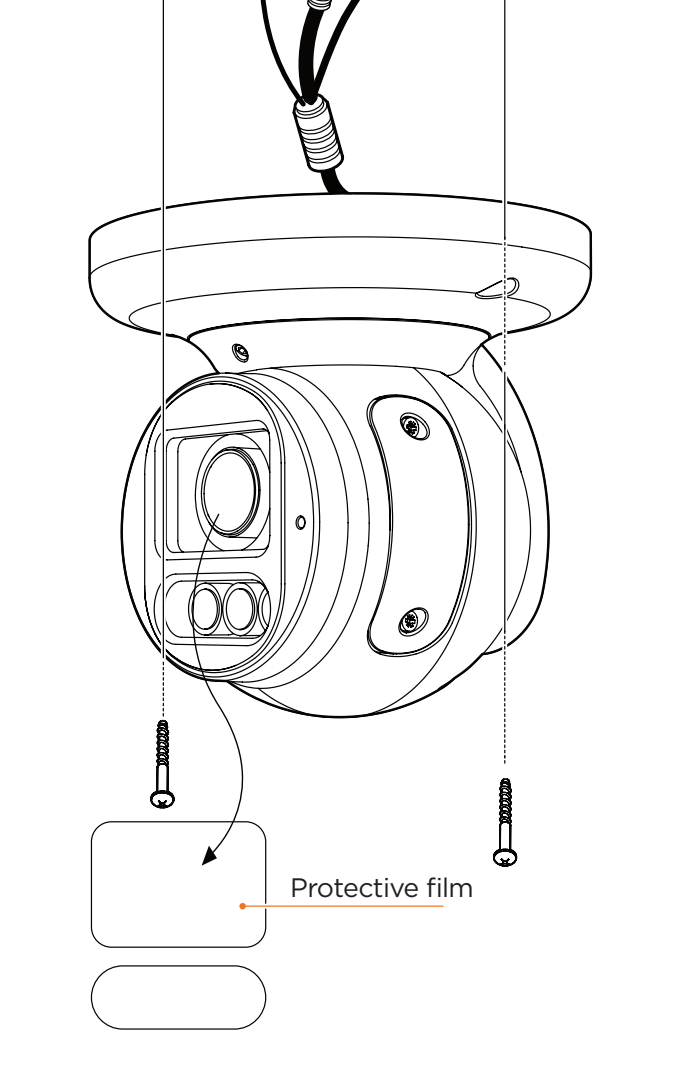


Power information	
Power requirements	DC12V, PoE IEEE 802.3at Class4 (Adapter not included)
Power consumption	12V DC: 12W, 1A, PoE: 15.8W, 330mA
Maximum distance	328' (100m)
Connector	RJ45

STEP 3 – INSTALLING THE CAMERA

1. Secure the camera to the mounting surface using the included screws.

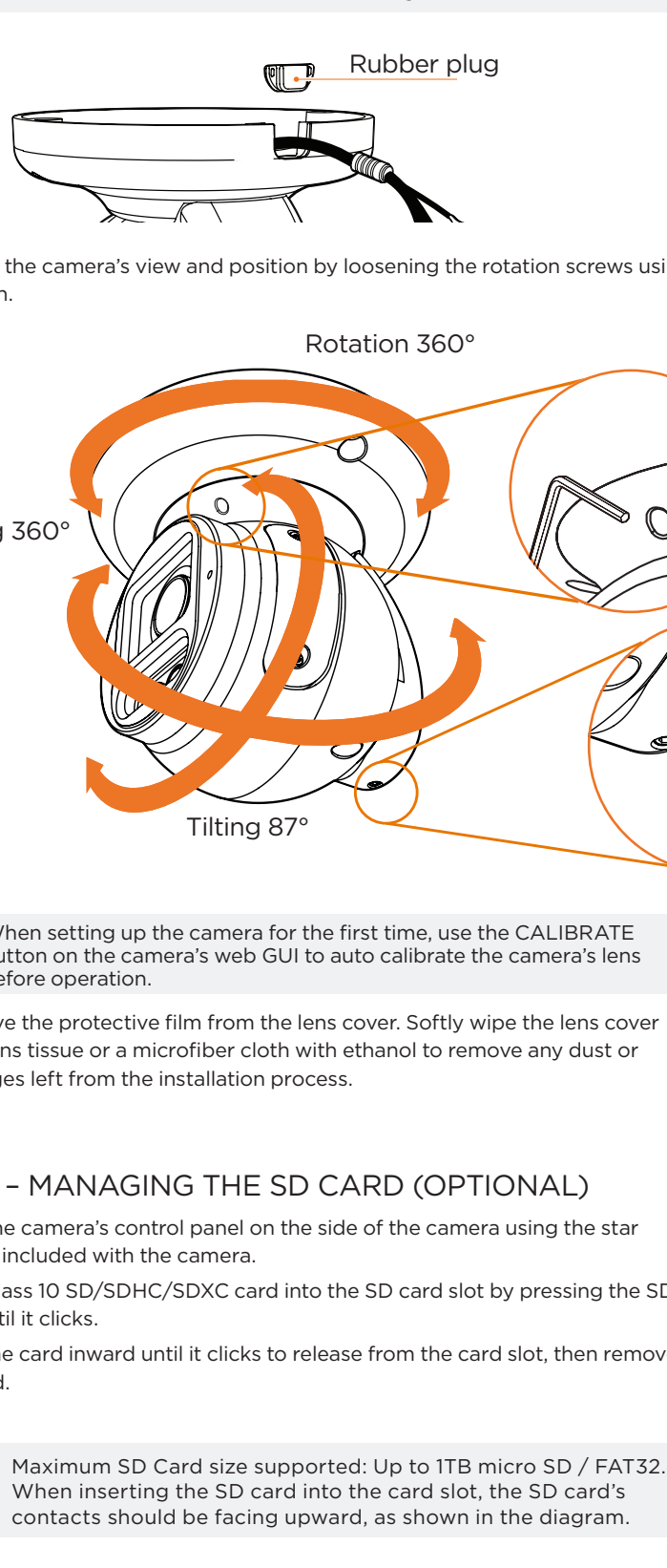
NOTE: Remove the rubber plug on the side of the camera's base and use the gap as a cable guide to prevent cables from getting caught between the camera and the mounting surface.



STEP 3 – INSTALLING THE CAMERA

1. Secure the camera to the mounting surface using the included screws.

NOTE: Remove the rubber plug on the side of the camera's base and use the gap as a cable guide to prevent cables from getting caught between the camera and the mounting surface.



NOTE: When setting up the camera for the first time, use the CALIBRATE button on the camera's web GUI to auto calibrate the camera's lens before operation.

3. Remove the protective film from the lens cover. Softly wipe the lens cover with lens tissue or a microfiber cloth with ethanol to remove any dust or smudges left from the installation process.

STEP 5 – MANAGING THE SD CARD (OPTIONAL)

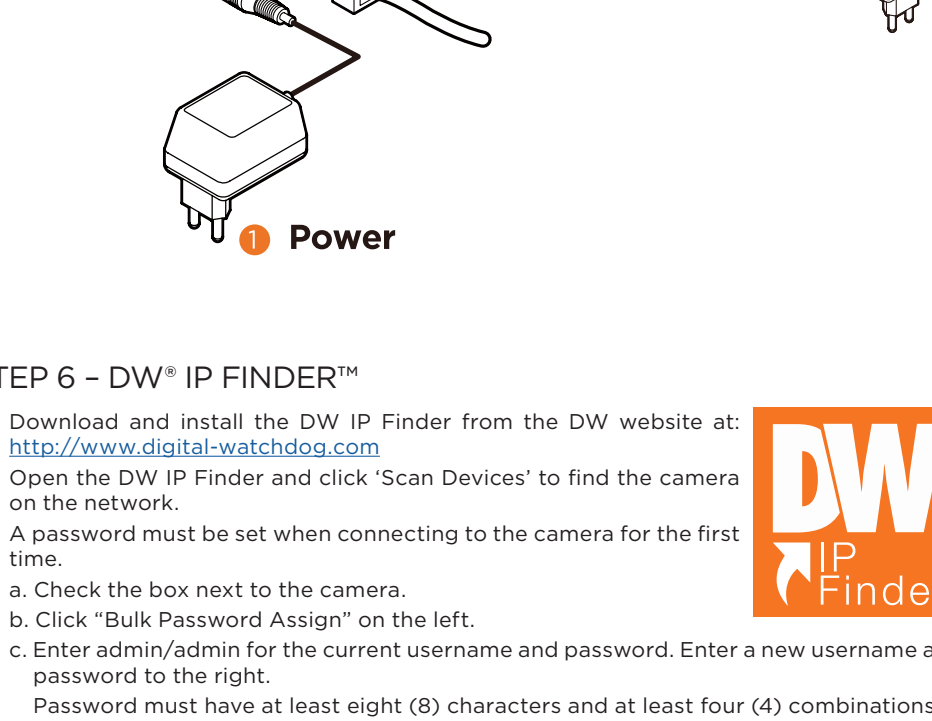
- Open the camera's control panel on the side of the camera using the star wrench included with the camera.
- Insert the SD card into the SD card slot by pressing the SD card until it clicks.
- Press the card inward until it clicks to release from the card slot, then remove the card.

NOTE: Maximum SD Card size supported: Up to 1TB micro SD / FAT32. When inserting the SD card into the card slot, the SD card's contacts should be facing upward, as shown in the diagram.



STEP 4 – CABLING

DI (+)	WHITE	NO	Activation
DI (-)	YELLOW	DO	Activation
DO (-)	SKY BLUE	NC	Activation
DO (+)	GRAY + DOT		



STEP 6 – DW® IP FINDER™

1. Download and install the DW IP Finder from the DW website at: <http://www.digital-watchdog.com>

2. Open the DW IP Finder and click 'Scan Devices' to find the camera on the network.

3. A password must be set when connecting to the camera for the first time.

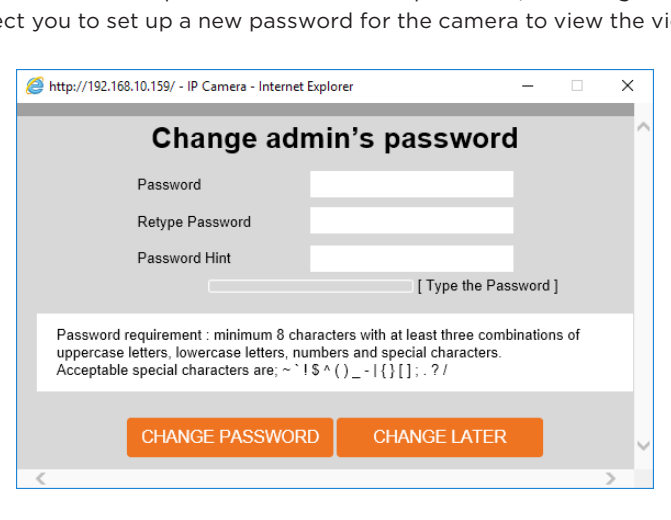
- Check the box next to the camera.
- Click "Bulk Password Assign" on the left.
- Enter admin/admin for the current username and password. Enter a new username and password to the right.

Password must have at least eight (8) characters and at least four (4) combinations of uppercase letters, lowercase letters, numbers and special characters. Passwords cannot contain the user ID.

d. Click "change" to apply all changes.

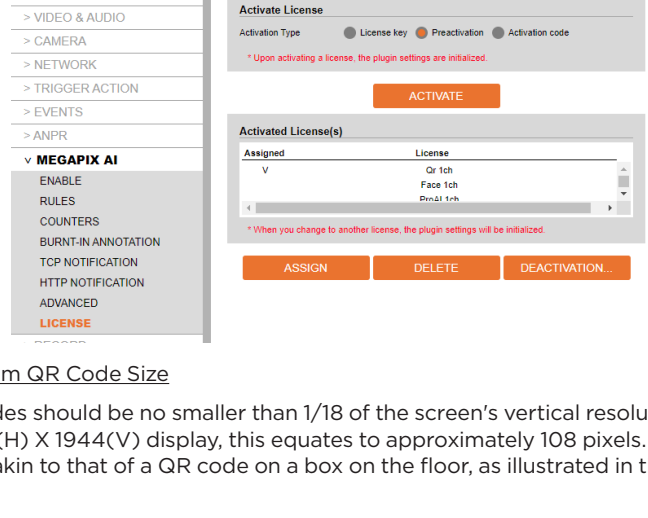


STEP 7 – WEB VIEWER



The GUI display may differ by camera model.

- Find the camera using the DW IP Finder.
 - Double-click on the camera's view in the results table.
 - Press the 'View Camera Website.'
 - Enter the camera's username and password you set up in the DW IP Finder.
- If you did not set up a new username and password, a message will direct you to set up a new password for the camera to view the video.

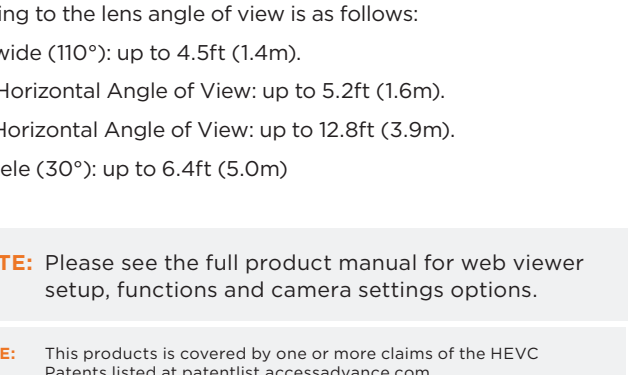


STEP 8 – QR CODE READER (DWC-XSTD05MFQ model)

The QR code recognition comes preloaded on DWC-XSTD05MFQ models. It must be activated before use.

- Go to Settings > MEGAPIX Ai > License.
- Check the button next to "Preactivation."
- Click on the "ACTIVATE" button.

NOTE: On these models, the MEGAPIX Ai plugin is turned off by default.



Minimum QR Code Size

QR codes should be no smaller than 1/18 of the screen's vertical resolution. For a 2592(H) X 1944(V) this equates to approximately 108 pixels. This size is akin to that of a QR code on a box on the floor, as illustrated in the figure below.

Recognizable Distance

A QR code printed on A4 paper, with each side being 6.7" (17cm), can be recognized from varying distances depending on the lens's angle of view:

- Full wide (110°): up to 9ft (2.8m).
- 90° Horizontal Angle of View: up to 10.5ft (3.2m).
- 45° Horizontal Angle of View: up to 25.5ft (7.8m).
- Full tele (30°): up to 32.8ft (10.0m).

NOTE: Reducing the print size proportionally decreases the recognizable distance.

If the QR code is reduced by half (3.34"/8.5cm), the recognizable distance according to the lens angle of view is as follows:

- Full wide (110°): up to 4.5ft (1.4m).
- 90° Horizontal Angle of View: up to 5.2ft (1.6m).
- 45° Horizontal Angle of View: up to 12.8ft (3.9m).
- Full tele (30°): up to 6.4ft (5.0m).

NOTE: Please see the full product manual for web viewer setup, functions and camera settings options.

NOTE: This products is covered by one or more claims of the HEVC Patents listed at patentlist.advance.com.

