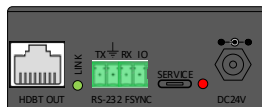


SIMPLIFIED
MFG

EXUSB3.0

**USB3.0/3.1/3.2 over
Category cable extender kit**



User Manual

VER 1.1

Thank you for purchasing this device

The Simplified MFG EXUSB3.0 is designed to provide years of reliable service. At Simplified MFG, we want the experience with this device to be the best possible and are committed to helping achieve that experience.

Table of Contents

1.	Introduction.....	2
2.	Features.....	2
3.	Package Contents	3
4.	Specifications.....	3
5.	Operation Controls and Functions	5
6.	Application Example	7
8.	Warranty.....	8
9.	Contact.....	9

1. Introduction

The EXUSB3.0 is an USB3.0 extender that will transmit USB3.0 signals up to 100m (328ft.). Common uses are USB 3.0/.1/.2 camera extension and control. The EXUSB3.0 is a reliable way to extend USB devices up to the 3.2 format as far as 100m (328ft.) TX has one USB 3.0 Type-B input, one FSYNC GPIO Output, and one RS-232 pass-thru. Power is provided at one end (either) with 24V 2A power adapter.

2. Features

- USB 3.0 (5Gbps), backwards compatible (2.0/1.1)
- Up to 100m (328ft) distance on Cat 6A
- Hardware acceleration
- 2 USB Type-A and 2 USB-C at RX (1 ea. 1A & 1.5A)
- RS-232 and FSYNC GPIO pass-thru
- Plug and Play
- Powers from one end (either)

3. Package contents

1x Transmitter

1x Receiver

2x 4-Pin Phoenix connector

1x 24V/2A Power Supply

1x Package of mounting hardware (4 ears, 8 screws)

1x Manual

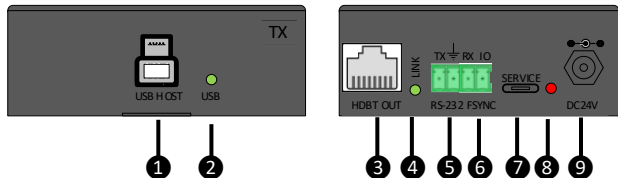
4. Specifications

Technical	
USB Protocol	Up to USB 3.0
Transmission Rate	Up to 5 Gbps
Transmission Distance	100m (328ft.)
ESD Protection	Human-body Model: ±8kV (Air-gap discharge), ±4kV (Contact discharge)

Connection	
Transmitter	Input: 1× USB-B Female Output: 1x HDBaseT (RJ-45) Control: 1x RS-232 (3-Pin Phoenix) 1x FSYNC (1-Pin Phoenix) 1x USB-C Update Port
Receiver	Input: 1× HDBaseT (RJ-45) Output: 2x USB Type-A 2x USB-C Control: 1x RS-232 (3-Pin Phoenix) 1x FSYNC (1-Pin Phoenix) 1x USB-C Update Port
Mechanical	
Housing	Metal Enclosure
Color	Black
Dimensions (RX & TX)	100mm (3.94") [W] × 85mm (3.35") [D] × 25.5mm (1.0") [H]
Weight	TX 253g/8.92oz. RX 260g/9.17oz.
Power Supply	Input: AC100~240V 50/60Hz, Output: DC24V/2A (US/EU standards, CE/FCC/UL certified)
Power Consumption	40W Max
Operating Temperature	0°C ~ 40°C / 32°F ~ 104°F
Storage Temperature	-20°C ~ 60°C / -4°F ~ 140°F
Relative Humidity	20~90% RH (non-condensing)

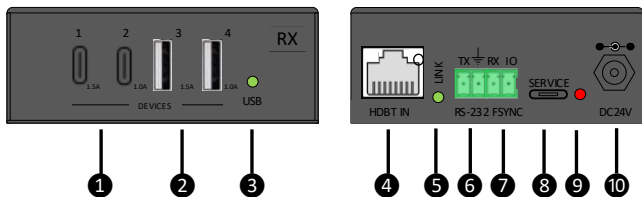
5.Operation Controls and Functions

5.1 Transmitter (TX)



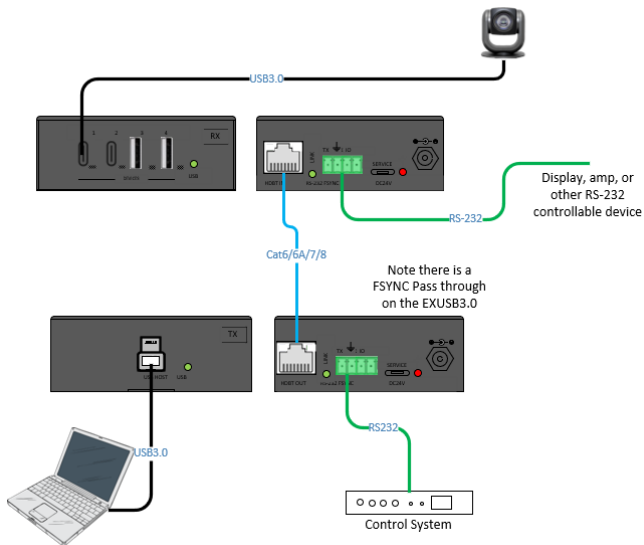
No.	Name	Function description
1	USB-B Host	Connects to PC/Host
2	USB LED	Indicates status of USB connection <ul style="list-style-type: none">• On - USB3.0 signal detected• Illuminated – USB2.0 signal detected• Dark – No USB signal detected
3	HDBT USB3	RJ-45 connection for cat6A cable link to RX
4	LINK LED	Cat cable connection indicator <ul style="list-style-type: none">• Illuminated, TX and RX are connected well• Dark, RX and TX are not connected
5	RS-232	Pass-thru for RS-232 (1 st three pins)
6	FSYNC	Used to sync external devices (uses 4 th pin)
7	SERVICE	Firmware update port
8	POWER LED	Illuminated when power is applied to TX (either via cat or 24V supply)
9	DC24V	Power adapter connection port

5.2 Receiver (RX)



No.	Name	Function description
1	USB 1/2	Connects to client USB-C devices, 5V /1.5 and 1.0A
2	USB 3/4	Connects to client USB devices, 5V /1.5A and 1.0A
3	USB LED	Indicates status of USB connection <ul style="list-style-type: none"> • Illuminated – USB signal detected • Dark – No USB signal detected
4	HDBT USB3	RJ-45 connection for cat6A cable link to TX
5	LINK LED	Cat cable connection indicator <ul style="list-style-type: none"> • Illuminated, TX and RX are connected well • Dark, RX and TX are not connected
6	RS-232	Pass-thru for RS-232 (1 st three pins)
7	FSYNC	Used to sync external devices (uses 4 th pin)
8	SERVICE	Firmware update port
9	POWER LED	Illuminated when power is applied to TX (either via cat or 24V supply)
10	DC24V	Power adapter connection port

6. Application Example



7. Warranty

Should you feel that this product does not function adequately due to defects in materials or workmanship, we (referred to as “the warrantor”) will, for the length of the period indicated below (starting from the original date of the purchase) either a) repair the product with new or refurbished parts. Or b) Replace the product with new or refurbished product. All Simplified MFG products are covered by a 3-year warranty. During this period there will be no charge for unit repair, replacement of unit components or replacement of the product if deemed necessary. The decision to repair or replace is made by the warrantor. The purchaser must mail in the product during the warranty period. This limited warranty only covers the product purchased as new and is extended to the original purchaser only. It is non-transferrable to subsequent owners, even during the warranty period. A purchase receipt or other proof of purchase date is required for the limited warranty service.

8. Contact

Sales and Tech Support

P. 833-HDMI-411 (833-436-4411)

E. info@simplifiedmfg.com



Simplified MFG • 550 W Baseline Rd Ste 102-121 • Mesa AZ 85210

© Copyright Simplified MFG 2024